

BATTERY DRIVE, FTP-608 Series

2" HIGH SPEED THERMAL PRINTER

FTP-628 MCL701/751

Vertical Easy Loading Method

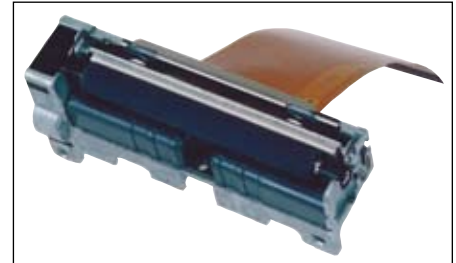
■ OVERVIEW

The easy loading FTP-608 MCL Series is ultra compact high speed, battery driven thermal printer, printing on 2-inch wide paper (58mm) where platens are removable. Our original platen removal mechanism improved paper loading and maintenance.

The FTP-608 MCL series can be used for a variety of applications, such as portable terminals, POS, ticket issuing terminals, label printers, banking terminals, and measurement and medical equipment.

■ HIGHLIGHTS

- **Easy loading type**
Our original platen removal mechanism improved paper loading and maintenance.
- **Ultra compact**
701: Height 31.5 mm, width 67.5 mm, depth 20.5 mm
751: Height 32.5 mm, width 67.5 mm, depth 19.8 mm
- **High speed printing**
It can print at 80 mm/s (640 dotlines/s) maximum by using Fujitsu's unique head drive control.
- **High resolution printing**
8 dots/mm of resolution printing is possible.
- **RoHS compliant**



FTP-628MCL701



FTP-628MCL751

FTP-628MCL701/751

■ PART NUMBERS

Item		Part Number
Printer mechanism		FTP-628MCL701 (without platen open detect switch) no I/F board
		FTP-628MCL751 (Serial and USB Interface board available)
LSI for driving		FTP-628CU601R
Interface board	USB	FTP-628DSL642R
	Serial	FTP-628DSL643R
Interface cables	USB	FTP-629Y301
	Serial	FTP-628Y302
Power cables	Logic, head, motor	FTP-628Y402

■ SPECIFICATIONS

Item		Specifications
Part number		FTP-628MCL701/751
Printing method		Thermal line dot method
Dot structure		384 dots/line
Dot pitch (horizontal)		0.125mm (8dots/mm) - Dot density
Dot pitch (vertical)		0.125mm (8dots/mm) - Line feed pitch
Effective printing area		48 mm
Number of columns		ANK 32 columns/line (maximum 12 x 24 dot font)
Paper width		58 mm +0/-1
Paper thickness		60 to 100µm (some paper may not be used because of characteristics)
Printing speed		Maximum 80mm/sec. (640 dot lines/sec.) 8.5V
Interface		FTP-628DSL600 series
Character types	Alphanumeric, katakana:	159 types
	International and special characters:	195 types
	OCRI	103 types
	OCRIII	23 types
	OCRIV	103 types
	Extended numeric	11 types
	JIS Kanji level 1, level 2, non-Kanji (supported only when Kanji CG is mounted)	about 6,800 types
Character, dimensions (WxH), number of columns	Half size	12 x 24 dots, (1.5 x 3.0 mm), 32 columns: ANK
	Full size	24 x 24 dots, (3.0 x 3.0 mm), 16 columns: ANK, Kanji
	Half size	8 x 16 dots, (1.0 x 1.0 mm), 48 columns: ANK
	Full size	16 x 16 dots, (2.0 x 2.0 mm), 24 columns: ANK, Kanji
	OCR I	24 x 40 dots, 16 columns
	OCR III	24 x 48 dots, 16 columns
	OCRIV	36 x 60 dots, 10 columns
Extended numeric	24 x 48 dots, 16 columns	

FTP-628MCL701/751

■ SPECIFICATIONS

Item		Specification	
		FTP-628MCL701/751	
Item		Conforms to RS232C/USB	
Operating Voltage	For print head		4.2 VDC to 8.5 V, average current 0.87A (0.98), peak value Printing ratio: 12.5%, printing speed 500mm/sec. at 7.2V
	For motor		4.2 VDC to 8.5 V, 1 A maximum
	For logic		3.0 to 5.25 VDC, 0.1 A maximum
Dimensions	Printer	701	67.5 x 20 x 31.5 mm (WxDxH)
	mechanism	751	67.5 x 19.8 x 32.5 mm (WxDxH)
	Interface board		70 x 52 x 20 mm (WxDxH)
Weight	Printer	701	Approximately 40g
	mechanism	751	Approximately 46g
	Interface board		Approximately 22g
Head life			Pulse resistance: 100 million pulses/dot (under our standard conditions). Abrasion resistance: paper traveling distance 50km (print ratio: 25% or less)
Operating environment	Operating temperature*		0°C to +50°C
	Operating humidity		20 to 85% RH (no condensation)
	Storage temperature		-20°C to +60°C (paper not included)
	Storage humidity		5 to 95% RH (no condensation)
Detection function	Head temperature detection		Detected by thermistor
	Paper out/mark detection		Detected by photo-interruptor
Recommended thermal sensitive paper		High sensitive paper	TF50KS-E2 (Nippon paper)
		Standard paper	TF50KS-E2 (Nippon paper) PD150R (Oji paper) FTP-020P0701 (58mm)
		Medium life storage paper	TF60KS-F2 (Nippon paper) FTP-020P0102 (58mm) PD170R (Oji paper) AFP220VBB-1 (Mitsubishi paper)
		Long life storage paper	PD160R (Oji paper) AFP-235 (Mitsubishi paper) TP50KJ-R (Nippon paper) HA112AA (Nippon paper)

*+5°C to +40°C printing density assurance range (-25 to 70°C capability)

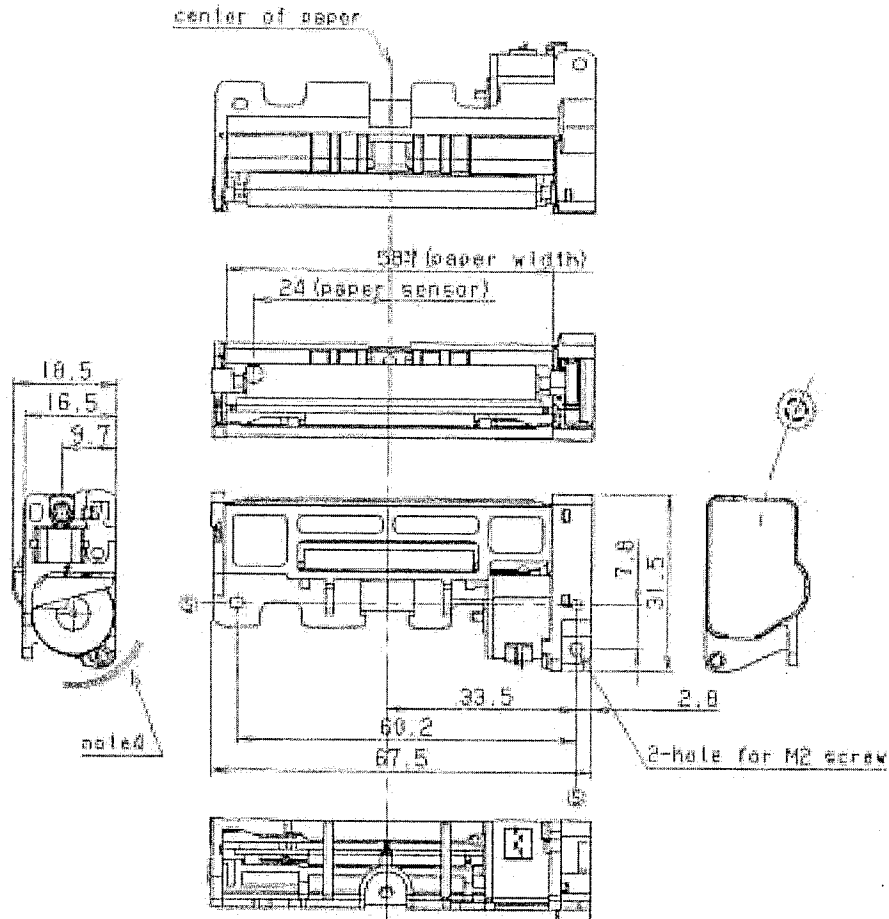
FTP-628MCL701/751

FUNCTION

Item	Item
1. Test print function	8. Mark detection function
2. Paper out detection	9. MCU operation abnormality detection
3. Paper near end detection	10. Power ON/OFF sequence protection
4. Thermal head temperature abnormality detection	11. Motor over-current protection
5. Blow-out fuse detection	12. Hardware timer
6. Head voltage abnormality detection	
7. Motor power saving function	

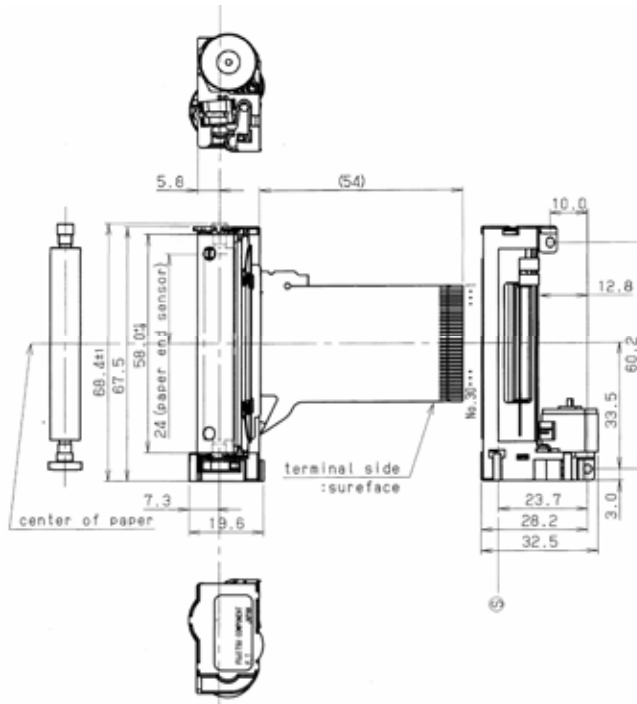
DIMENSIONS

FTP-628MCL701



■ DIMENSIONS

FTP-628MCL751



Notes:

1. The dimensions tolerance is $\pm 0.5\text{mm}$ unless specified.
2. Dimensions in parenthesis are reference dimensions.
3. S shows the platen center line.

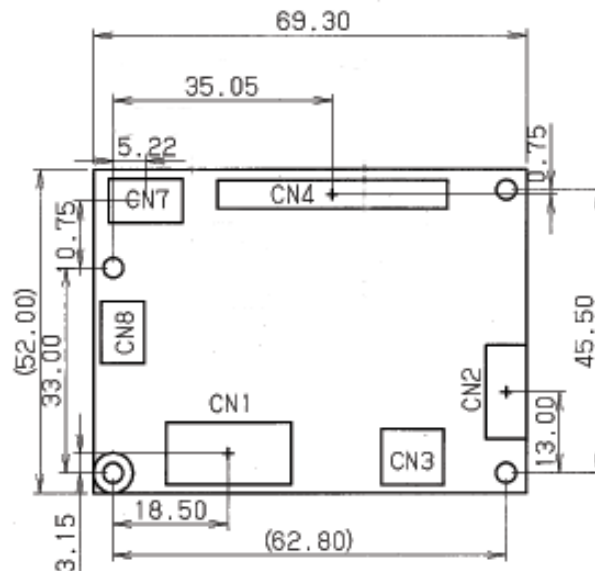


Fig-2 コネクタ配置図

■ PRINTER CONNECTOR (FLEXIBLE PT BOARD) PIN ARRAYS FTP-628 MCL701

Thermal head, control circuit side connector: 52610-3090 or 3071 Molex or equivalent product

No	Signal	I/O	Contents
1	PHK	—	Cathode for photo interruptor
2	VSEN	I	Paper sensor power
3	PHE	O	Emittor for photo interruptor
4	MT B	I	Stepping motor excitation signal
5	MT \bar{B}	I	
6	MT A	I	
7	MT \bar{A}	I	
8	VH	I	Power supply for thermal head
9	VH	I	
10	DI	I	Data in
11	CLK	I	Synchronous clock for communication
12	GND	—	Ground power supply for thermal head
13	GND	—	
14	STB6	I	Thermal head energizing control signal
15	STB5	I	
16	STB4	I	
17	Vdd	I	Logic power
18	TH	O	Thermally sensitive resistor input termnial 1
19	TH	O	Thermally sensitive resistor input termnial 2
20	STB3	I	Thermal head energizing control signal
21	STB2	I	
22	STB1	I	
23	GND	—	Ground power supply for thermal head
24	GND	—	
25	\bar{LAT}	I	Data latch
26	DO	O	Data out
27	VH	I	Power supply for thermal head
28	VH	I	
29	N.C.	-	Not connected
30	N.C.	-	

Do not plug or unplug the FPC when power is on.

■ PRINTER CONNECTOR (FLEXIBLE PT BOARD) PIN ARRAYS FTP-628 MCL751

Thermal head, control circuit side connector: 52610-3090 or 3071 Molex or equivalent product

No	Signal	I/O	Contents
1	PHK	—	Cathode for photo interruptor
2	VSEN	I	Paper sensor power
3	PHE	O	Emitter for photo interruptor
4	N.C.	—	Not connected
5	N.C.	—	Not connected
6	VH	I	Head drive power
7	VH	I	
8	DIN	I	Data in
9	CLK	I	Synchronous clock for communication
10	GND	—	Ground power supply for thermal head
11	GND	—	
12	STB6	I	Thermal head energizing control signal
13	STB5	I	
14	STB4	I	
15	VDD	I	Logic power
16	TH	O	Thermally sensitive resistor input terminal 1
17	TH	O	Thermally sensitive resistor input terminal 2
18	STB3	I	Thermal head energizing control signal
19	STB2	I	
20	STB1	I	
21	GND	—	Ground power supply for thermal head
22	GND	—	
23	$\overline{\text{LAT}}$	I	Data latch
24	DO	O	Data out
25	VH	I	Power supply for thermal head
26	VH	I	
27	MT A	I	Stepping motor excitation signal
28	$\overline{\text{MT A}}$	I	
29	MT B	I	
30	$\overline{\text{MT B}}$	I	

Fujitsu Components International Headquarter Offices

Japan

Fujitsu Component Limited
Gotanda-Chuo Building
3-5, Higashigotanda 2-chome, Shinagawa-ku
Tokyo 141 8630, Japan
Tel: (81-3) 5449-7010
Fax: (81-3) 5449-2626
Email: promothq@fcl.fujitsu.com
Web: www.fcl.fujitsu.com

North and South America

Fujitsu Components America, Inc.
250 E. Caribbean Drive
Sunnyvale, CA 94089 U.S.A.
Tel: (1-408) 745-4900
Fax: (1-408) 745-4970
Email: components@us.fujitsu.com
Web: <http://us.fujitsu.com/components/>

Europe

Fujitsu Components Europe B.V.
Diamantlaan 25
2132 WV Hoofddorp
Netherlands
Tel: (31-23) 5560910
Fax: (31-23) 5560950
Email: info@fceu.fujitsu.com
Web: emea.fujitsu.com/components/

Asia Pacific

Fujitsu Components Asia Ltd.
102E Pasir Panjang Road
#01-01 Citilink Warehouse Complex
Singapore 118529
Tel: (65) 6375-8560
Fax: (65) 6273-3021
Email: fcal@fcal.fujitsu.com
Web: <http://www.fujitsu.com/sg/services/micro/components/>

©2009 Fujitsu Components America, Inc. All rights reserved. All trademarks or registered trademarks are the property of their respective owners.

Fujitsu Components America or its affiliates do not warrant that the content of datasheet is error free. In a continuing effort to improve our products Fujitsu Components America, Inc. or its affiliates reserve the right to change specifications/datasheets without prior notice.
Rev. February 26, 2009.