

MULTI-USER KVM SWITCH

SERVIS™ FS-8000 series

NC14011-B181/U R

SERVIS™ has the answer to achieving greater network reliability, availability, and serviceability, while saving space and reducing your network or systems.

The SERVIS™ FS-8000 series Multi-User KVM allows smooth switching, monitoring and control of multiple systems, and remote sharing from each console unit, over Cat5 cables.



■ FEATURES

- Multi-User Access Control:
 - Efficient system management with simultaneous multi-user access and multi-platform support
 - Up to 512 servers can be shared by 8 users with Fujitsu's 16-port Multi-KVM cascade connection
- Multi-Platform Support:
 - Supports PS/2, PC USB, Sun Mini-Din 8 pin and Sun USB systems
- Console operation port available in each Main unit and User Console unit:
 - Main Unit: PS/2
 - User Console unit: PS/2 & USB
- Superior Graphic Support:
 - Supports up to UXGA (1600x1200)
 - Auto color adjustment function, manual detail setting via keyboard is also available
 - Superior graphic support for Broadcasting, CAD, DTP systems
- Cat5 Extender between Main unit and User Console unit
 - Up to 300m extension for XGA (1024x768), SXGA (1280x1024)
 - Up to 200m extension for UXGA (1600x1200)
- Secured Access Control:
 - User ID can be set for each server that will be accessed
 - Each User ID authentication is controlled by password.
- Save space & cost:
 - Cat5-based cabling system (Cat5E/6 UTP Straight type)
 - Main unit is 1U
- If the I/P KVM (NC14008-B032RS R) is connected to the user console unit, it works over IP.
- RoHS compliant

■ SPECIFICATIONS

Number of server connections		Max 32 units (max. number in cascading connection with Fujitsu's 16-port KVM: 512 units)
Shared users		Max. 8 users, including local console
Selection method		OSD display (Hot Key Mode) Selection
KVM main unit	Server Port	For sever unit connections: RJ45 x 32 CNs
	User Port	For user console connections: RJ45 x 8 CNs
	Keyboard (for local console)	PS/2 interface: Mini Din 6 pin female x 1 CN (purple)
	Mouse (for local console)	PS/2 interface: Mini Din 6 pin female x 1 CN (green)
	Monitor (for local console)	Analog RGB: Mini D-Sub 15 pin female x 1 (blue)
	Maintenance port	Mini D-Sub 9 pin male x 1 CN (black)
User console unit	Keyboard & mouse	PS/2 interface: Mini Din 6 pin female x 1 (purple)
	Mouse	PS/2 interface: Mini Din 6 pin female x 1 (green)
	USB (keyboard, mouse)	USB keyboard/mouse interface: USB type A CN x 2 CNs
	Monitor	Analog RGB: Mini D-Sub 15 pin female x 1 (blue)
	Maintenance port	Mini D-Sub 9 pin male x 1 CN (black)
Server unit	Keyboard & mouse	PS/2 interface for NC14011-B101 R: Mini Din 6 pin male x 2 CNs (purple & green)
		USB interface (HID Composite Device) for NC14011-B102 R: USB type A CN x 1 CN
		Sun serial interface for NC14011-B103 R: Mini Din 8 pin male x 1 CN
		Sun USB interface (HID composite device) for NC14011-B104 R: USB Type A CN x 1 CN
	Monitor	Analog RGB: Mini D-Sub 15 pin female x 1 (Blue)
Distance between main unit and server unit		Less than 10 m
Distance between main and user console unit		UXGA: Max 200 m
		SXGA/XGA: Max 300 m
Monitor resolution (refresh rate)		UXGA: 1600 x 1200 (Max) at 60 Hz etc.
Monitor PnP		VESA DDC2
Power		AC100-240V 50/60Hz1.5/0.8A (AC), (main unit)
		5VDC 1.5A (user console unit)
		5VDC 0.3A (server unit)
Operating temperature		5 - 35 Degree C, at 20 - 65 %RH (non-condensing)
Storage temperature		0 - 50 Degree C, at 20 - 65 %RH (non-condensing)
Dimension / Weight:	Main unit	440 x 332 x 38mm / 4.0 kg
	User console unit	195 x 155 x 42mm / 1.0 kg
	Server unit	45 x 95 x 21mm / 0.2 kg

Notes: Main unit, user console unit, server unit must be purchased separately, depending on the system configuration

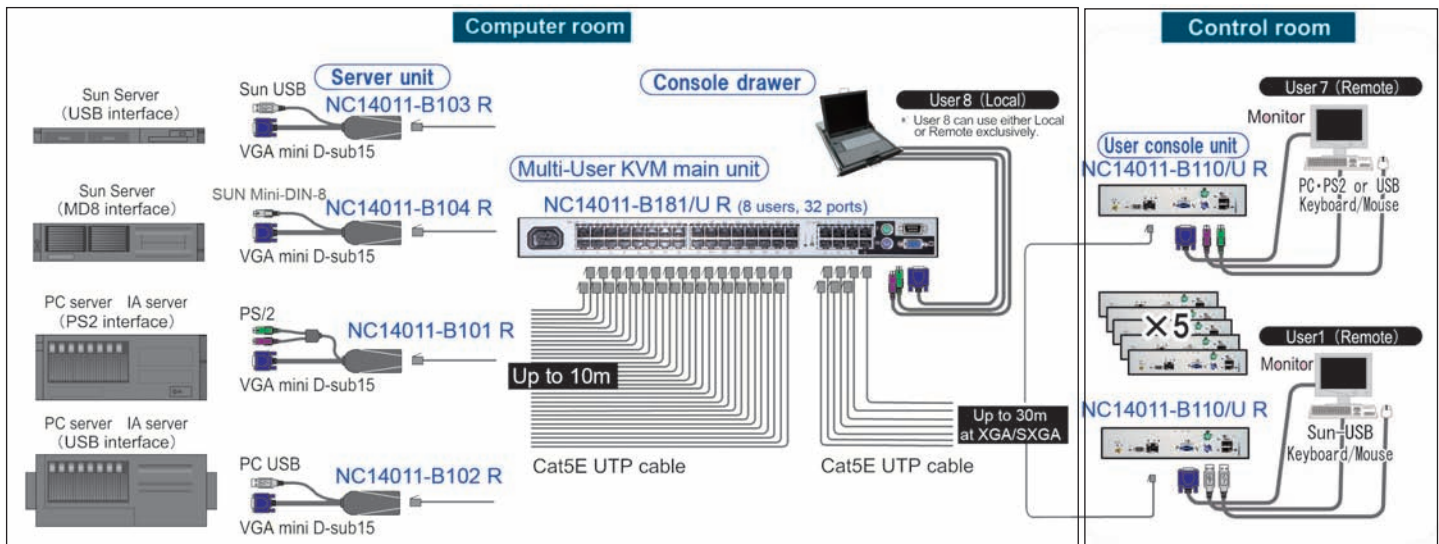
The AC cable for the main unit is not included and must be purchased separately.

The AC adaptor and AC adaptor cable for the user console unit are not included and must be purchased separately

UNIT CONFIGURATIONS

	Model	Part Number	Description
Main Unit	FS-8032MM	NC14011-B181/U R	AC power cable not included
User console unit	FP-MMCM01	NC14011-B110/U R	AC adaptor cable not included
Server unit	FP-MMSM/xxx	NC14011-B101 R	for PS/2
		NC14011-B102 R	for USB
		NC14011-B103 R	for Sun Mini Din 8 pin
		NC14011-B104 R	for Sun USB

CONNECTION EXAMPLE



OPTIONAL ACCESSORIES

Name	Part Number	Notes
AC Power Cable for USA (2m)	NC14004-B074 R	for main unit
AC Power Cable for Europe, Asia (2m)	NC14004-B075 R	for main unit
AC Power Cable for UK (2m)	NC14004-B076 R	for main unit
AC Adaptor	NC14003-T055/E R	for user console unit
AC Adaptor Cable for USA (1m)	NC14004-B077 R	for user console unit
AC Adaptor Cable for Europe, Asia (1m)	NC14004-B078 R	for user console unit
AC Adaptor Cable for UK (1m)	NC14004-B079 R	for user console unit
Guide rail for main unit to 19" standard rack		
Standard inside mounted guide rail	NC14003-T591 R	ANSI/EIA-310-D M6 for oblong hole rack
Outside mounted guide rail	NC14003-T592 R	ANSI/EIA-310-D M5 or M6 tapped rack installation (hole)
Side mounted guide rail	NC14003-T593 R	ANSI/EIA-310-D for side post fixed rack

SERVIS PRODUCT FAMILY

Analog KVM			
Model/Series		Part Number	Description
SERVIS MULTI: FS-1000MT series	4-port KVM (FS-1004MT)	NC14004-B042 R	4-port multi-KVM switch for PS/2, USB, Sun I/O & USB
	8-port KVM (FS-1008MT)	NC14004-B082 R	8-port multi-KVM switch for PS/2, USB, Sun I/O & USB
	16-port KVM (FS-1016MT)	NC14004-B162 R	16-port multi-KVM switch for PS/2, USB, Sun I/O & USB
DRAWER			
Model/Series		Part Number	Description
SERVIS LCD Drawer: FD-1000AT	Basic model	NC14004-B402/US R	15" AT Console drawer, US version (LCD:XGA, Input Device I/F: PS/2)
	with built-in 8-port Multi-KVM	NC14004-B412/US R	15" AT Console drawer, US version with 8-port multi-KVM pre-installed (LCD:XGA)
	with built-in 16-port Multi-KVM	NC14004-B422/US R	15" AT Console drawer, US version with 16-port multi-KVM pre-installed (LCD:XGA)
SERVIS LCD Drawer: FD-1000MT	Basic model	NC14010-B452/US	R 17" Console drawer, US version (LCD: SXGA, Input Device I/F: Multi-interface)
	with built-in 8-port Multi-KVM	NC14010-B462/US R	17" Console drawer, US version with 8-port multi-KVM pre-installed (LCD: SXGA)
	with built-in 16-port Multi-KVM	NC14010-B472/US R	17" Console drawer, US version with 16-port multi-KVM pre-installed (LCD: SXGA)
Cat5 Extender			
Model/Series		Part Number	Description
Cat5 Wide Band: FE-1000CW series		NC14004-B721/U R	300 m Cat5 Extender Kit of local and remote units (supporting up to 300m at XGA/XSGA, up to 200m at UXGA), remote unit to be console port only, compact size: 110 (W) x 100 (D) x 25 (H)mm
Cat5 Wide Band: FE-2000CW series		NC14004-B717/U R	300 m Cat5 Extender Kit of local and remote units (supporting up to 300m at XGA/XSGA, up to 200m at UXGA), remote unit to be console port only, support audio and touchpanel (RS232: Tx/D, Rx/D only)
Multi User KVM			
Model/Series		Part Number	Description
Multi-user KVM FS-8000 series	Main unit (FS-8032MM)	NC14011-B181/U R	Multi-user KVM main switching unit, shared by 8 users, and switching 32 server units, supports up to 1600 x 1200 graphic resolution
	User console unit	NC14011-B110/U R	Remote console unit over Cat5, supporting up to 300m remote operation at XGA/XSGA, up to 200m remote operation at UXGA
	Server unit	NC14011-B101 R	PS/2 Interface server control unit
		NC14011-B102 R	Regular USB Interface server control unit
		NC14011-B103 R	Sun MD 8 pin Interface server control unit
		NC14011-B104 R	Sun USB Interface server control unit
	IP-KVM		
Model/Series		Part Number	Description
IP KVM FX-7000NP series	1 port	NC14008-B032RS R	Supports up to 1600 x 1200 graphic resolutions, Virtual CD ROM function, Dual power supply
IP-Serial Console Switch			
Model/Series		Part Number	Description
Serial Console FX-3000SR series	1 port	NC14008-B027RS R	Serial Control (RS232C) over IP, compact size: 110(W) x 114(D) x 32(H)mm.

Fujitsu Components International Headquarter Offices

Japan

Fujitsu Component Limited
Gotanda-Chuo Building
3-5, Higashigotanda 2-chome, Shinagawa-ku
Tokyo 141 8630, Japan
Tel: (81-3) 5449-7010
Fax: (81-3) 5449-2626
Email: promothq@fcl.fujitsu.com
Web: www.fcl.fujitsu.com

North and South America

Fujitsu Components America, Inc.
250 E. Caribbean Drive
Sunnyvale, CA 94089 U.S.A.
Tel: (1-408) 745-4900
Fax: (1-408) 745-4970
Email: components@us.fujitsu.com
Web: <http://www.fujitsu.com/us/services/edevices/components/>

Europe

Fujitsu Components Europe B.V.
Diamantlaan 25
2132 WV Hoofddorp
Netherlands
Tel: (31-23) 5560910
Fax: (31-23) 5560950
Email: info@fceu.fujitsu.com
Web: emea.fujitsu.com/components/

Asia Pacific

Fujitsu Components Asia Ltd.
102E Pasir Panjang Road
#01-01 Citilink Warehouse Complex
Singapore 118529
Tel: (65) 6375-8560
Fax: (65) 6273-3021
Email: fcal@fcal.fujitsu.com
Web: <http://www.fujitsu.com/sg/services/micro/components/>

©2006 Fujitsu Components America, Inc. All rights reserved. All trademarks or registered trademarks are the property of their respective owners.

Fujitsu Components America or its affiliates do not warrant that the content of datasheet is error free. In a continuing effort to improve our products Fujitsu Components America, Inc. or its affiliates reserve the right to change specifications/datasheets without prior notice.
Rev. December 15,2006