

# SERVIS SECURE - 4 console, 5 PC Switching

## The intelligent KVM Switch for PC and Sun machines FS-405S Series

The FS-405S allows shared access by up to 4 personal computers to 1 physically isolated PC. This provides controlled access to sensitive data. The ability to electrically isolate user machines from an external PC assures optimum security. If you connect two FS-405S units in a cascade configuration, access is possible by up to 8 user machines.



### ■ APPLICATIONS

- Assuring security by isolating internal networks from Internet connections and other LANs.
- Can be used to switch between software development and other user machines and in-house network machines.
- Allows users access to the Internet without fear of viruses entering your servers or network.

### ■ FEATURES

- Completely isolates the shared PC from user PCs. This prevents unauthorized access to in-house LAN machines through the Internet or LAN.
- Allows sharing 1 special use PC by 4 people (maximum of 8 people with two units connected in cascade). This can be a considerable expense saving.
- One unit allows switching between 4 private-use dedicated PCs and 1 shared PC (Internet connected PC).
- Dedicated microprocessors for each PC and keyboard/mouse assure stable switching.
- Switching is simple/just tap the Scroll Lock key twice, if the shared PC is available, you get access.
- Allows you to check the status of the shared PC by keyboard LED (Scroll Lock LED flashes).
- No need for an external power supply, since power is supplied from connected PCs.
- Comes with a magnetic attachment for convenient mounting.

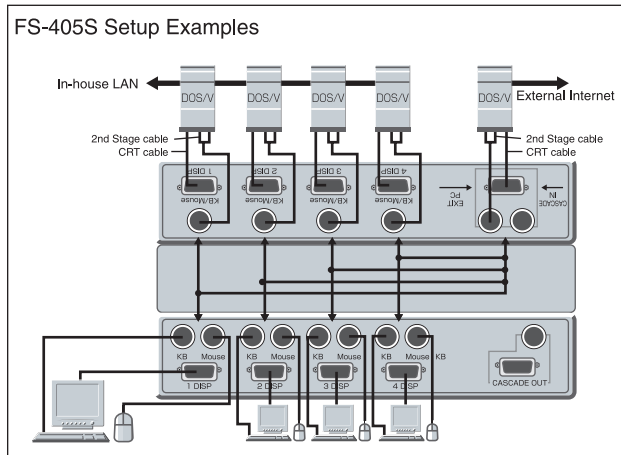
### Supported Devices:

CPU : Windows compatible machines, RS6000, HP9000 (KB/mouse Port PS/2)  
Keyboard : English/ Japanese keyboards (101 to 109 key PS/2)  
Mouse : 2/3-button mouse, Microsoft-compatible scrolling mouse (PS/2)  
Fujitsu Components: FID677V, FID677PRO, FID663SV  
Microsoft: IntelliMouse, IntelliMouse Optical Technology, IntelliMouse Explorer  
Logitech: MouseMan +, MouseMan96, MouseMan Wheel, Mouseman, Pilot Mouse, MousePort

Multi-sync Monitors: VGA, SVGA, XGA, SXGA, UXGA  
Resolution: 1600 x 1200 dot, Bandwidth: 200MHz

# FS-405S Servis Secure

## ■ SETUP EXAMPLES



## ■ SPECIFICATIONS

Items		Specifications
Model		FS-405S
Supported machines		PC/AT, DOS/V compatible machines
Number of units to be connected*		Maximum: 4 units (Maximum: 8 units)
Selection method		Keyboard (Scroll Lock Key)
Console Port	Keyboard	PS/2 Mini DIN 6-pin (female) x 4
	Mouse	PS/2 Mini DIN 6-pin (female) x 4
	Monitor	Mini D-SUB 15-pin (female) x 4
PC Port	KB/Mouse	PS/2 Mini DIN 6-pin (female) x 5
	Monitor	Mini D-SUB 15-pin (female) x 5
Cascade Port		Mini DIN 10-pin (female) x 1, Mini DIN 15-pin (female) x 1
Monitor Resolution		1600 x 1200 dot, Bandwidth: 200MHZ
Power Supply		5VDC±5% (supplied from attached PCs)
Current Consumption (max.)		70 mA (PC x 1)
Keyboard/Mouse available current		200 mA (max.)
Operating ambient Temperature/ Humidity		0 to 40° C, 20 to 90% RH (Storage temperature: -20 to 60° C)
Dimensions / Weight		290 x 110 x 42 (W x D x H), 1.4 kg
Installation Configuration		Stationary (magnet attached);

# FS-405S Servis Secure

## ■ OPTIONS (FS405S Dedicated Cable)

Model	Application	Specification
NC14003-T016#HG	for PC	Cable set for PCs (1.8 m)
NC14003-T011#A	for PC	Cable set for PCs (3 m)
NC14003-T023	Cascade-dedicated	Cascade cable (3 m)

### **Fujitsu Components International Headquarter Offices**

#### **Japan**

Fujitsu Component Limited  
Gotanda-Chuo Building  
3-5, Higashigotanda 2-chome, Shinagawa-ku  
Tokyo 141, Japan  
Tel: (81-3) 5449-7010  
Fax: (81-3) 5449-2626  
Email: [promothq@ft.ed.fujitsu.com](mailto:promothq@ft.ed.fujitsu.com)  
Web: [www.fcl.fujitsu.com](http://www.fcl.fujitsu.com)

#### **North and South America**

Fujitsu Components America, Inc.  
250 E. Caribbean Drive  
Sunnyvale, CA 94089 U.S.A.  
Tel: (1-408) 745-4900  
Fax: (1-408) 745-4970  
Email: [marcom@fcai.fujitsu.com](mailto:marcom@fcai.fujitsu.com)  
Web: [www.fcai.fujitsu.com](http://www.fcai.fujitsu.com)

#### **Europe**

Fujitsu Components Europe B.V.  
Diamantlaan 25  
2132 WV Hoofddorp  
Netherlands  
Tel: (31-23) 5560910  
Fax: (31-23) 5560950  
Email: [info@fceu.fujitsu.com](mailto:info@fceu.fujitsu.com)  
Web: [www.fceu.fujitsu.com](http://www.fceu.fujitsu.com)

#### **Asia Pacific**

Fujitsu Components Asia Ltd.  
102E Pasir Panjang Road  
#04-01 Citilink Warehouse Complex  
Singapore 118529  
Tel: (65) 6375-8560  
Fax: (65) 6273-3021  
Email: [fcal@fcal.fujitsu.com](mailto:fcal@fcal.fujitsu.com)  
[www.fcal.fujitsu.com](http://www.fcal.fujitsu.com)

© 2002 Fujitsu Components America, Inc. All company and product names are trademarks or registered trademarks of their respective owners. Rev. 7/2002