

DDR-2 DIMM SMT Vertical Mount Socket

FCN-07 Series

RoHS compliant

■ FEATURES

- DDR-2: 240pin DIMM socket connector
- Co-planarity of 0.1mm
- Fujitsu original unique structure for twin contact points structure, which is tolerant of dust and flux

Item	Specification
Operating temperature range	-55°C to +85°C
Current rating	AC 0.5A
Voltage rating	AC/DC 25V
Contact resistance	DC20mv, 10mA
Contact resistance	40mΩ maximum
Dielectric withstanding voltage	AC 0.25kV for 1 minute
Insulation resistance	250Mohm minimum

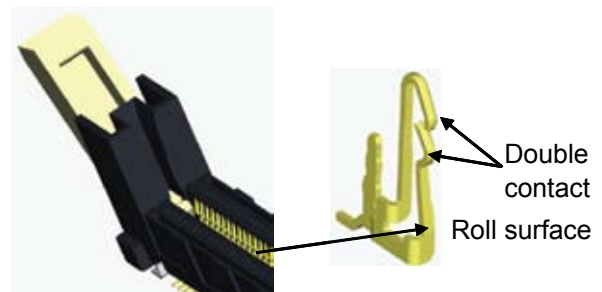
Item	Specification
Insulating material	LCP, UL94 V-0
Contact	Copper Alloy Plating NiPdAu
Heating resisting tape	PL

Plastic tray quantity: 16 pieces/tray
 Container quantity: 16 x 5 = 80 pieces



Fujitsu's FCN-07 DDR-2 DIMM socket is a vertical mount SMT socket.

The unique contact structure provides for twin points of contact that insure that dust and flux are wiped clean when module is installed. In addition, the twin points guarantee constant contact between the module and contact even in a high vibration environment.

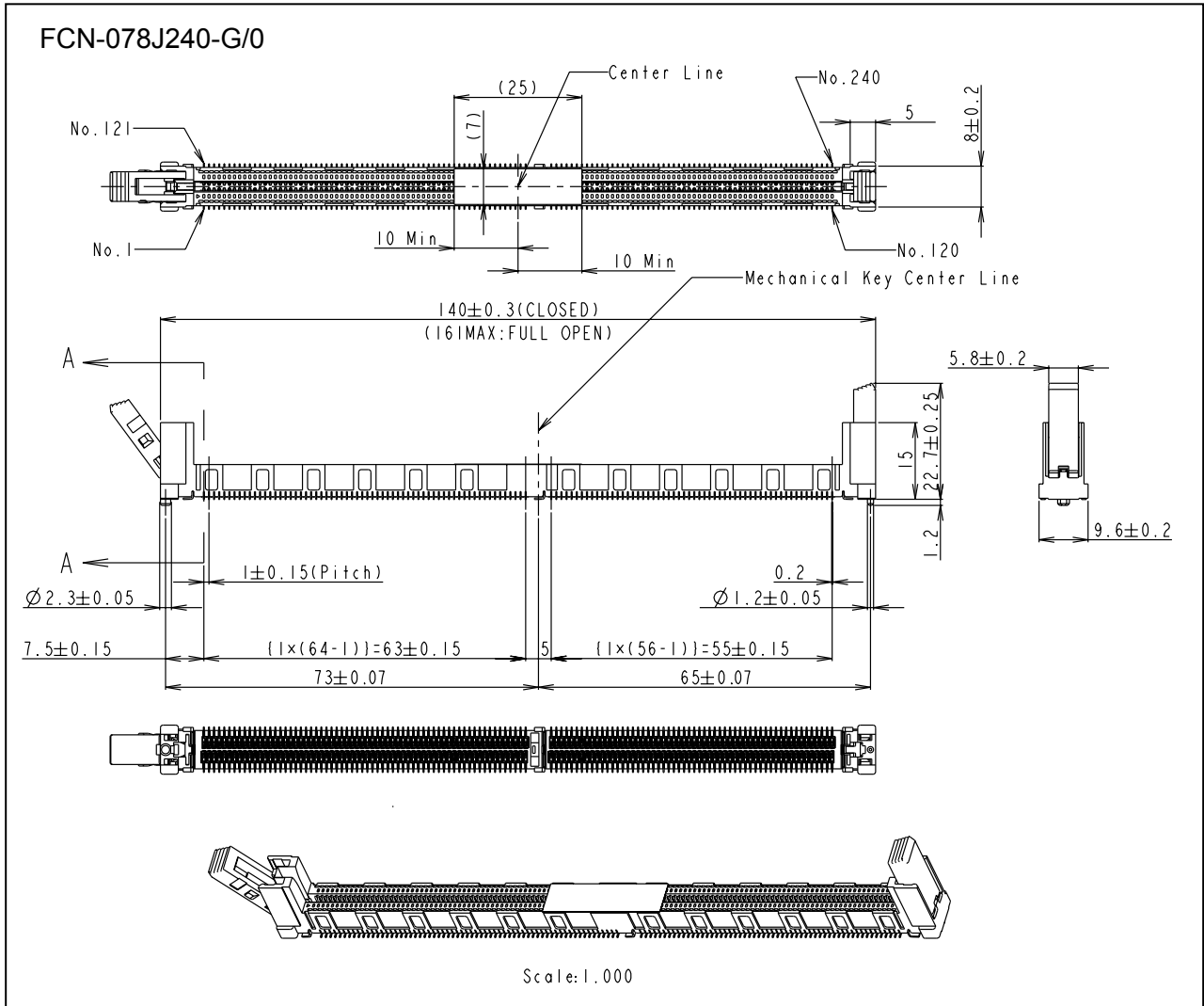


Fujitsu's precision stamping and molding allow the connector to have a coplanarity specification of 0.1mm. The connector has heat resistance tape added to the face of the connector for ease of vacuum pick-up.

Due to the overall length of the of the connector, Fujitsu has added a "solder bars" in the middle of the connector to insure proper IR processing when soldering the connector to the PCB.

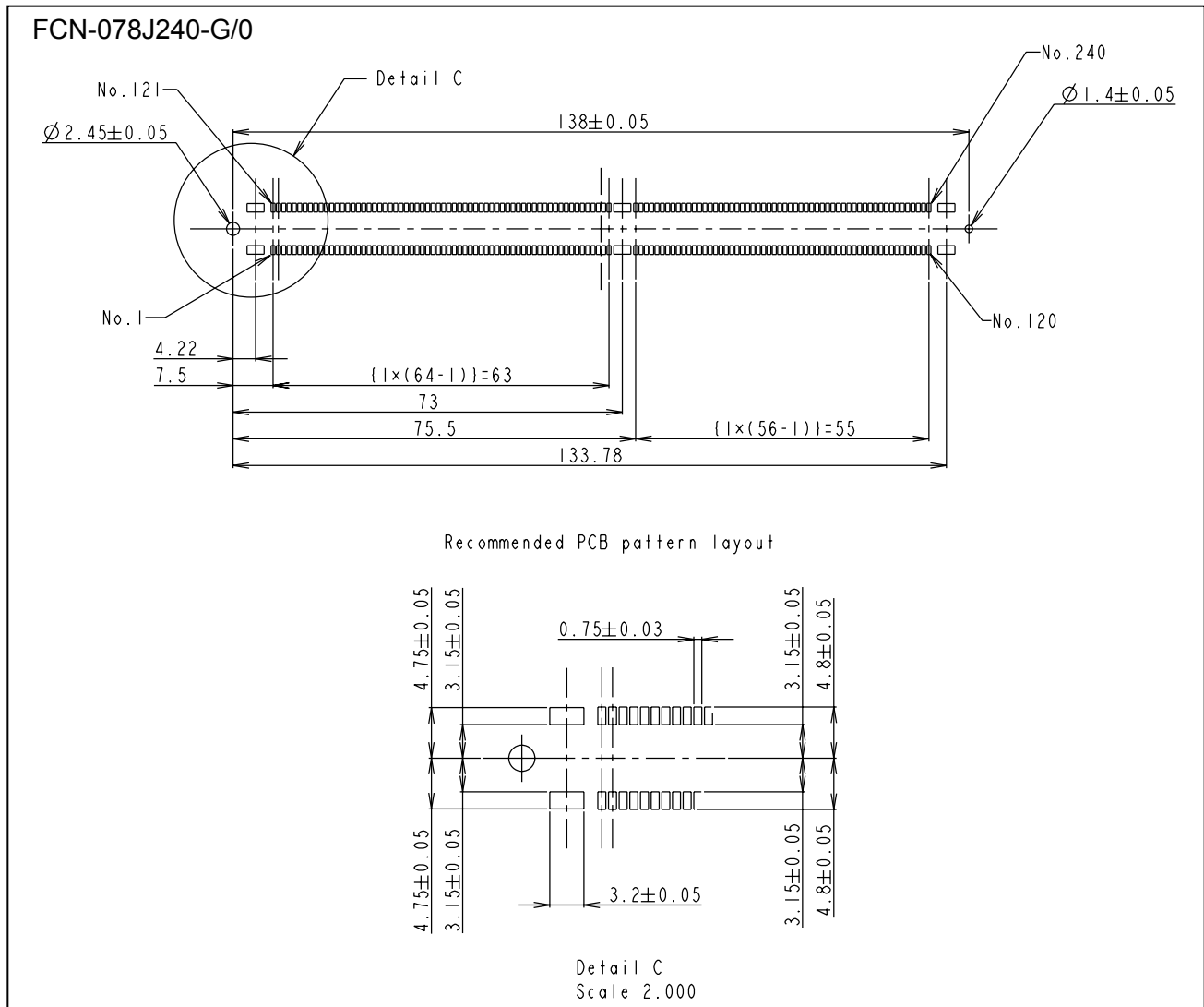
FCN-07 series DDR-2DIMM Socket

■ SPECIFICATIONS



FCN-07 series DDR-2DIMM Socket

■ SPECIFICATIONS



Fujitsu Components International Headquarter Offices

Japan

Fujitsu Component Limited
 Gotanda-Chuo Building
 3-5, Higashigotanda 2-chome, Shinagawa-ku
 Tokyo 141 8630, Japan
 Tel: (81-3) 5449-7010
 Fax: (81-3) 5449-2626
 Email: promothq@fcl.fujitsu.com
 Web: www.fcl.fujitsu.com

North and South America

Fujitsu Components America, Inc.
 250 E. Caribbean Drive
 Sunnyvale, CA 94089 U.S.A.
 Tel: (1-408) 745-4900
 Fax: (1-408) 745-4970
 Email: components@us.fujitsu.com
 Web: <http://us.fujitsu.com/components/>

Europe

Fujitsu Components Europe B.V.
 Diamantlaan 25
 2132 WV Hoofddorp
 Netherlands
 Tel: (31-23) 5560910
 Fax: (31-23) 5560950
 Email: info@fceu.fujitsu.com
 Web: emea.fujitsu.com/components/

Asia Pacific

Fujitsu Components Asia Ltd.
 102E Pasir Panjang Road
 #01-01 Citilink Warehouse Complex
 Singapore 118529
 Tel: (65) 6375-8560
 Fax: (65) 6273-3021
 Email: fcjal@fcal.fujitsu.com
 Web: <http://www.fujitsu.com/sg/services/micro/components/>

©2009 Fujitsu Components America, Inc. All rights reserved. All trademarks or registered trademarks are the property of their respective owners.

Fujitsu Components America or its affiliates do not warrant that the content of datasheet is error free. In a continuing effort to improve our products Fujitsu Components America, Inc. or its affiliates reserve the right to change specifications/datasheets without prior notice.

Rev. July 6, 2009.