

FUJITSU Retail Solution TeamPoS A22

Affordable AIO PoS with High Performance CPU



- ✓ Easy Operation
15" full-flat touch Screen LCD
- ✓ High Performance CPU
Intel® Celeron® Processor J1900
(2M Cache, up to 2.4 GHz)
- ✓ Durable
Waterproof and dustproof LCD (IP65)*

* At front LCD panel

User-friendly Design

- Easy to clean 15" full-flat LCD
- Fanless design for silent operation and protection against ingress of oil/dust in air
- User-friendly LCD with flexible tilt angle (0 to 90 degrees)
- Equipped with standard I/O port connectors
- Smaller footprint frees up counter space
- Wall mountable with VESA standard



Flexible Configurations

Wide range of peripherals realize configurations to meet various store needs

■ 15" LCD



Dual type



Pole type

■ VFD



■ MSR



Side MSR integrated on LCD

■ Drawer

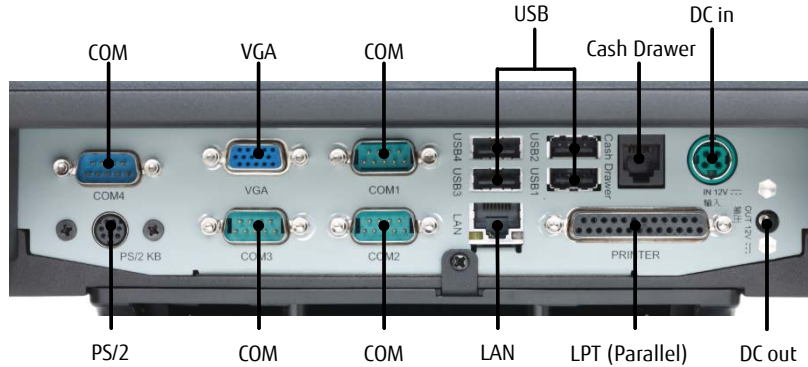


5 bills/8 coins

* The design may be subject to change without notice.

I/O Ports

Rich I/O interface allows to install various peripherals



Specifications

Item		TeamPoS A22	
Main Unit	CPU	Intel® Celeron® Processor J1900 (2M Cache, up to 2.4 GHz)	
	LCD	15" TFT color LCD, resolution 1024 x 768	
	Touch	PCAP touch	
	Memory	DDR3 SO-DIMM 4GB (2 DIMM Sockets up to 8 GB)	
	LAN	10/100/1000 Mbps Gigabit Ethernet	
	Storage	2.5" SATA HDD x 1 (500 GB)	
	I/O Interface	4 x COM w/ 5/12V (COM1, COM2, COM3, COM4)	
		1 x DB-15 VGA port	
		1 x DB-25 for LPT port	
		1 x RJ11 Cash drawer port (DC+24v)	
		1 x RJ45 LAN port with activity and link LEDs	
		1 x PS/2 KB	
		1 x DC+12v out	
	3 x USB 2.0, 1 x USB 3.0		
	Supported OS	Windows 7, POSReady 7, Windows 8.1, Windows 10 IoT Enterprise	
Power Supply	AC100~240V/DC+12V, 90W power adaptor		
Dimensions	360mm (W) x230mm (D) x 332mm (H)		
Weight	7.5 kg		
Operating Temperature	0° C ~ +40° C		
Storage Temperature	-20° C ~ +60° C		
Humidity	15%~80%		
Certification	FCC,BSMI, CCC		
Peripherals (Option)	Customer Display	15" LCD	15" LCD
	VFD		ANK, 20 columns x 2 lines
	MSR		ISO 1/2/3
	Cash Drawer		5 bill / 8 Coin, 410(W) x 415(D) x 110(H)mm

* Product specifications are subject to change without notice. All data is based on internal testing, and results may vary depending on conditions.

Contact

FUJITSU LIMITED

Retail Business Unit
 Shiodome City Center, 5-2, Higashi-shimbashi 1-chome, Minato-ku, Tokyo 105-7123, Japan
<https://www.fujitsu.com/jp/group/frontech/en/>
 Inquiry : <https://www.fujitsu.com/jp/group/frontech/en/contact/>