

# FUJITSU Retail Solution TeamPoS A20

## Affordable AIO PoS with High Performance CPU



- ✓ Easy Operation  
15" full-flat touch Screen LCD
- ✓ High Performance CPU  
Intel® Celeron® Processor 1037U  
(2M Cache, 1.80 GHz)
- ✓ Durable  
Waterproof and dustproof LCD (IP65)\*

\* At front LCD panel

### User-friendly Design

- Easy to clean 15" full-flat LCD
- Fanless design for silent operation and protection against ingress of oil/dust in air
- User-friendly LCD with flexible tilt angle (0 to 90 degrees)
- Equipped with standard I/O port connectors
- Smaller footprint frees up counter space
- Wall mountable with VESA standard



### Flexible Configurations

Wide range of peripherals realize configurations to meet various store needs

■ 15" LCD



Dual type



Pole type

■ VFD



■ MSR



Side MSR integrated on LCD

■ Keyboard



78-key with MSR

■ Drawer

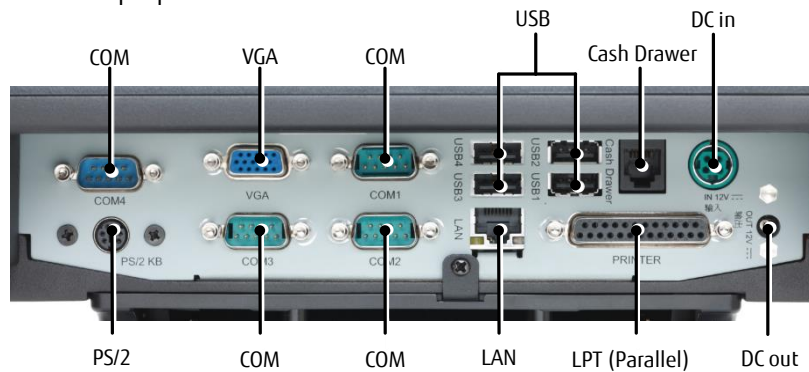


5 bills/8 coins

\* The design may be subject to change without notice.

## I/O Ports

Rich I/O interface allows to install various peripherals



## Specifications

Item		TeamPoS A20	
Main Unit	CPU	Intel® Celeron® Processor 1037U (2M Cache, 1.80 GHz)	
	LCD	15" TFT color LCD, resolution 1024 x 768	
	Touch	Resistive touch	
	Memory	DDR3 SO-DIMM 2GB (2 DIMM Sockets up to 8 GB)	
	LAN	10/100/1000 Mbps Gigabit Ethernet	
	Storage	2.5" SATA HDD x 1 (320 GB)	
	I/O Interface	4 x COM w/ 5/12V (COM1, COM2, COM3, COM4)	
		1 x DB-15 VGA port	
		1 x DB-25 for LPT port	
		1 x RJ11 Cash drawer port (DC+24v)	
		1 x RJ45 LAN port with activity and link LEDs	
		1 x PS/2 KB	
		1 x DC+12v out	
	4 x USB 2.0		
	Supported OS	Windows XP, POSReady2009, Windows 7, POSReady 7, Windows 8.1	
Power Supply	AC100~240V/DC+12V, 90W power adaptor		
Dimensions	360mm (W) x 230mm (D) x 332mm (H)		
Weight	7.5 kg		
Operating Temperature	0° C ~ +40° C		
Storage Temperature	-20° C ~ +60° C		
Humidity	15%~80%		
Certification	CE, FCC, BSMI, VCCI, CCC		
Peripherals (Option)	Customer Display	15" LCD	15" LCD
		VFD	ANK, 20 columns x 2 lines
	Keyboard	78 keys, USB, w/ Keylock & MSR TK123	
	MSR	ISO 1/2/3	
	Cash Drawer	5 bill / 8 Coin, 410(W) x 415(D) x 110(H)mm	

\* Product specifications are subject to change without notice. All data is based on internal testing, and results may vary depending on conditions.

## Contact

### FUJITSU LIMITED

Distribution Industry Business Unit  
 Shiodome City Center, 5-2, Higashi-shimbashi 1-chome, Minato-ku, Tokyo 105-7123, Japan  
<https://www.fujitsu.com/jp/group/frontech/en/>  
 Inquiry : <https://www.fujitsu.com/jp/group/frontech/en/contact/>