

Fujitsu Dot Matrix Printer

Roll Paper Holder for DL3100

It can be printed on various rolls paper.

Roll paper holder can be attached to the left and right grooves (slots) from which the rear cover of DL3100 has been removed simply by inserting them from above. A simple structure that does not require a screwdriver for installation and only requires the use of four thumbscrews. The rear cover is used as a separator to minimize the number of parts.

Features:

(a) Simple mounting

No screwdriver required for installation. Just use four thumbscrews

(b) Easy to use

Insert shaft into winding core and set to stand. Width adjustment can be done by thumbscrews

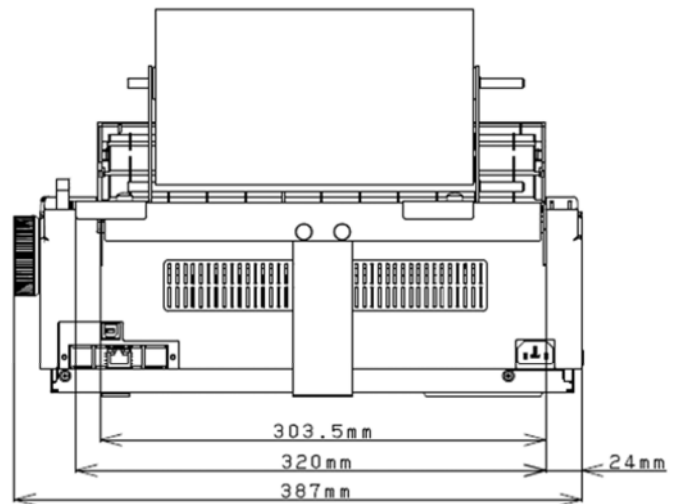
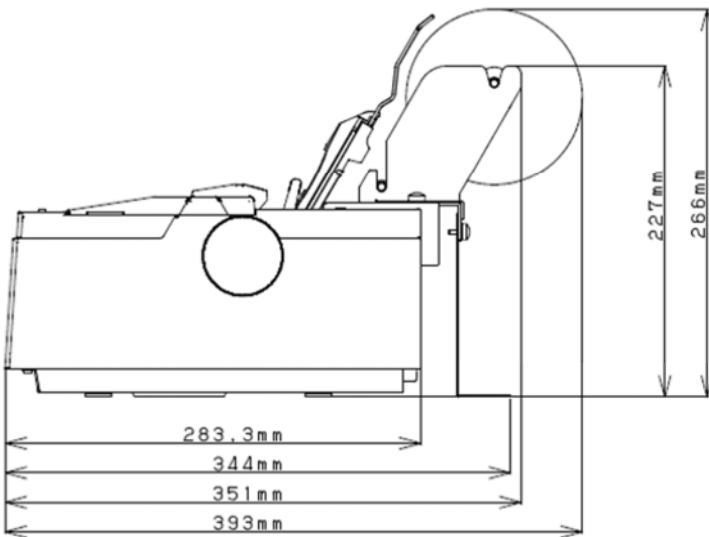
Specifications:

Item	Specifications
Parts name	Roll paper holder unit
Ordering parts number	KA02100-D700
Printing columns	80 columns
Maximum outer diameter	φ 120 mm
Winding core Inner diameter	φ 10 mm ~ φ 30 mm
Paper width	4 ", 8.3",8.5" (±1mm)
Paper thickness	0.08 mm ~ 0.1 mm
Number of copies	3 (Original + 2)
Left / Right margin	8mm (8.5" or 8.3") / 10mm(4.0")
Line feed	1/6"(4.23mm) ±0.3mm
Line feed accuracy	±6mm / 55Line feed (at 5°C) ±3mm / 55Line feed (at 15-38°C)
Recommend footprint	500mm(W) x 500mm(D)
Dimension with paper holder	387mm(W) x 351mm(D) x 227mm(H)
Weight	Approximately 1.0 Kg

Appearance:



Installation:



Note:

1. The print quality (Line space, diagonal lines, left margin precision, etc.) does not defined a guaranteed value. There are no functional defects such as character interpretation.
2. The roll paper holder unit is user assembled. Refer the attached leaflet of recommended assembly method.
3. Reverse line feed printing is out of specification.
4. In the case of image printing or split printing, the print result may be distorted.

Contact:

© Fujitsu Isotec Limited 2022. All rights reserved. Fujitsu and Fujitsu logo are trademarks of Fujitsu Limited registered in many jurisdictions worldwide. Other product, service and company names mentioned herein may be trademarks of Fujitsu or other companies. This document is current as of the initial date of publication and subject to be changed by Fujitsu without notice. This material is provided for information purposes only and Fujitsu assumes no liability related to its use.