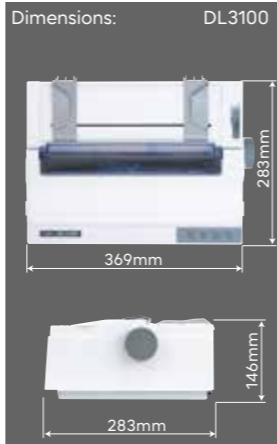


Technical details

Model Name	DL3100								
Printing Technology	Bi-directional with logical seeking								
Print Head	24 wire, Impact Dot Matrix								
Wire Diameter	Standard Φ0.20mm								
Printing columns (10cpi)	80 column								
Speed	<table border="0"> <tr> <td>High Draft Quality</td> <td>450cps (10cpi)</td> </tr> <tr> <td>Draft Quality</td> <td>300cps (10cpi)</td> </tr> <tr> <td>Letter Quality</td> <td>120cps (10cpi)</td> </tr> </table>	High Draft Quality	450cps (10cpi)	Draft Quality	300cps (10cpi)	Letter Quality	120cps (10cpi)		
High Draft Quality	450cps (10cpi)								
Draft Quality	300cps (10cpi)								
Letter Quality	120cps (10cpi)								
Resolution	360 x 360 dpi *1								
Copy Ability	Original + 6carbonless copies *3								
Max. paper thickness	0.27mm (0.0106")								
Line Feed Speed	41.6ms per 1/6" line								
Form Feed Speed	4" per second continuous feed								
Continuous Form/Cut Sheet switch function	Manual								
Paper thickness adjust function	Manual								
Interface	<table border="0"> <tr> <td>USB</td> <td>USB Ver.2.0 (TYPE B)</td> </tr> <tr> <td>Parallel</td> <td>IEEE1284 Nibble Mode</td> </tr> <tr> <td>Serial</td> <td>RS232C 25pin</td> </tr> <tr> <td>LAN</td> <td>10BASE-T, 100 Base-TX , TCP/IP Protocol</td> </tr> </table>	USB	USB Ver.2.0 (TYPE B)	Parallel	IEEE1284 Nibble Mode	Serial	RS232C 25pin	LAN	10BASE-T, 100 Base-TX , TCP/IP Protocol
USB	USB Ver.2.0 (TYPE B)								
Parallel	IEEE1284 Nibble Mode								
Serial	RS232C 25pin								
LAN	10BASE-T, 100 Base-TX , TCP/IP Protocol								
Emulation	EPSON ESC/P2, IBM 2390								
Printer Driver	Microsoft Windows Driver Available								
Input Buffer	Max. 256KB								
Input Voltage	100V AC to 120V AC ±10%, single phase, 50Hz to 60Hz 220V AC to 240V AC ±10%, single phase, 50Hz to 60Hz								
Consumption Power	<table border="0"> <tr> <td>Stand by</td> <td>1.4W or Less</td> </tr> <tr> <td>Average</td> <td>34W</td> </tr> </table>	Stand by	1.4W or Less	Average	34W				
Stand by	1.4W or Less								
Average	34W								
Environmental Conditions	5°C to 38°C(41°F to 95°F), 20~80%RH (Non-condensing)								
Dimension (WxDxH)	369 x 283 x 146mm								
Weight	Approx. 5.5Kg								
Noise	Approx. 57dBA / 54dBA(Low noise mode)								
Reliability	<table border="0"> <tr> <td>MTBF</td> <td>20,000H(25% duty cycle)</td> </tr> <tr> <td>MTTR</td> <td>0.34H</td> </tr> <tr> <td>Printer Life</td> <td>5 million Line-Feed or 5 years</td> </tr> </table>	MTBF	20,000H(25% duty cycle)	MTTR	0.34H	Printer Life	5 million Line-Feed or 5 years		
MTBF	20,000H(25% duty cycle)								
MTTR	0.34H								
Printer Life	5 million Line-Feed or 5 years								
Print Head	Print Head Life 400million strokes (each wire)								
Ink Ribbon	Ribbon Life (Black) 7 million characters (ANK Draft Quality)								
Safety and EMI standard	UL / CSA / CE-LVD / GS / FCC / IC / CE-EMC / ENERGY STAR V2.0								

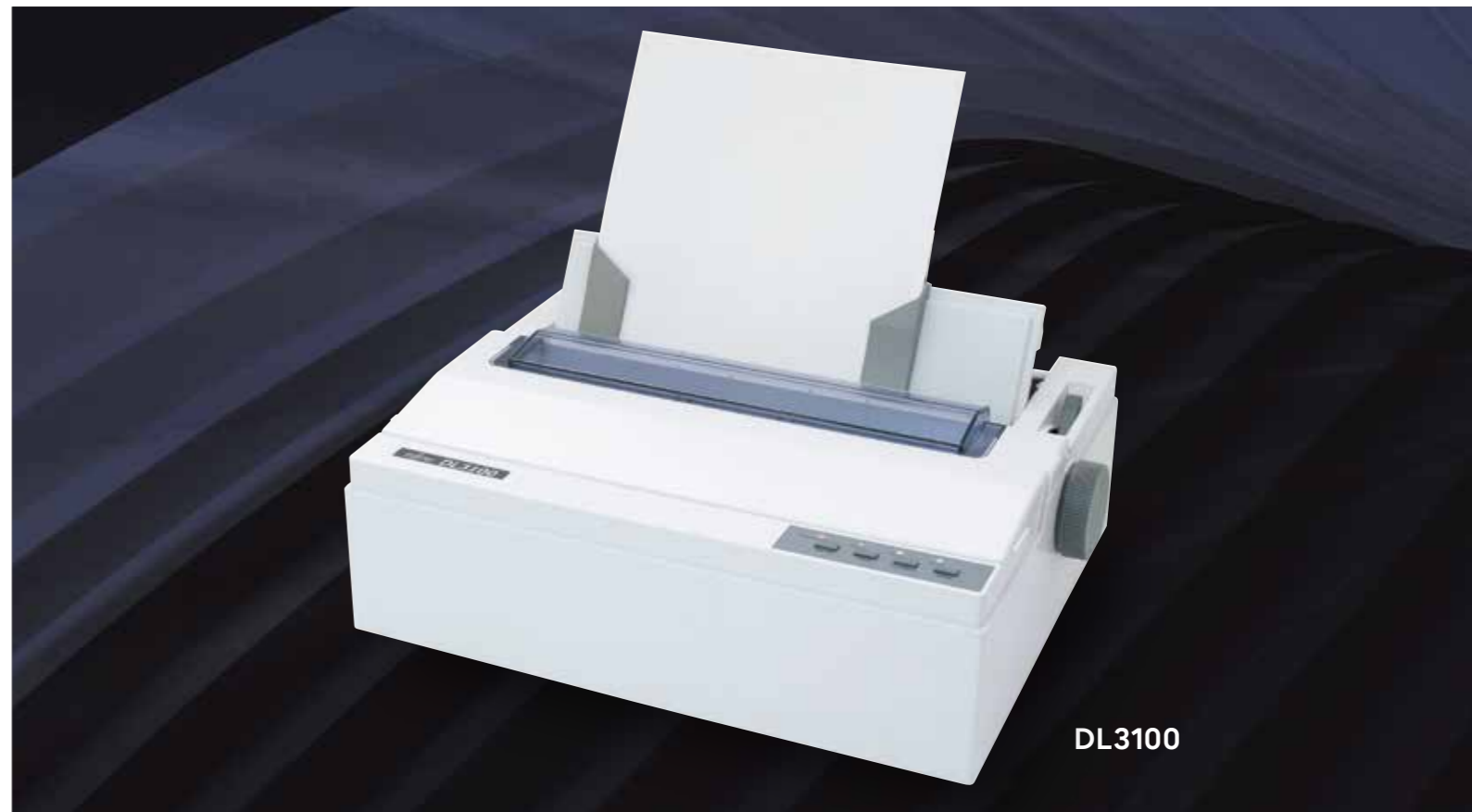


Common		
Paper feeding	Continuous Form	Push tractor Rear in , and Top out
	Cut Sheet	Rear in and Top out
Paper	Cut Sheet	Width 95mm~267mm (3.75" ~ 10.5")
		Length 76mm~364mm(3.0"~14.3")
	Continuous Form	Width 95mm~267mm (3.75"~10.5")
		Length 101.6mm~364mm(4"~14.3")
Character Sets	Italic,PC437 (US),PC850 (Multilingual),PC851 (Greek),PC860 (Portuguese),PC863 (Canadian-French),PC865 (Nordic),PC852 (Eastern Europe),PC857 (Turkish),PC864 (Arabic),ISO_8859_7,PC866 (Russian),PC861 (Icelandic),BRASCI (Braz Portuguese), Abicomp (Braz Portuguese),MAZOWIA (Poland),KAMENICKY,ISO 8859-7(Latin/Greek), ISO 8859-15,Bulgaria,Roman 8,PC720,PC858,PC771,ISO 8859-9,PC1250,PC1251, PC1252,PC1253,PC1254,PC1257,OCR-B,ISO8859_1,ISO8859-2(ISO Latin2),CRO_ASCII, E_UK,E_US_ASCII,GREEK_DEC,E_SWEDEN,E_GERMAN,PORTUGUESE,COAX_TWINAX, E_FRANCE,E_ITALY,E_SPAINI,E_NORWAY,ELOT_928,TABLE_1252,TABLE_1253, TABLE_1254,NEW_437,NEW_DIG_850,TABLE_866,TABLE_737,TABLE_864,FARSI, URDO_OLD_CODE_860,FLARRO_863,TABLE_865,BULGARIA_866,	
Barcode	CODABAR(NW7), EAN-13, EAN-8, CODE 39, INDUSTRIAL 2 OF 5, UPC-A, UPC-E, POST-NET(Barcode), CODE128	
Resident Fonts	Bitmap Fonts :Roman,Sans Serif, Courier, Prestage elite, OCR-B, OCR-A, Orator, GOTHIC, Script, Draft, Souvernir, DraftCond	

Model	
Interface combination	USB USB+Parallel USB+Serial USB+LAN

*1 Maximum Graphics Resolution, Under ESC/P Emulation only
 *2 About the trade mark
 *3 Maximum copy ability is "Original + 5 carbonless copies" under specific paper conditions.
 Company names and product names mentioned above are registered trade marks or trade marks of each company.
 -Specifications are subject to change without notice.

FUJITSU Printer DL3100



- Evolving the multi-purpose dot matrix printer**
- 24 wire dot matrix printer
 - Achieves incredible reliability
 - Wide connectivity through different printer models
 - Stylish compact design
 - Amazing multi-copy capability

Best fit for your business partner

FUJITSU ISOTEC LIMITED
 Printer Business Division
 135,Higashinozaki,Hobara-machi,
 Date-shi,Fukushima
 960-0695, JAPAN.
 Phone : +81-24-574-2236
 Fax : +81-24-574-2382
 URL : <https://www.fujitsu.com/jp/fit/en/>
 Contact E-mail :
 fit-gsm@cs.jp.fujitsu.com



FUJITSU professional hardware

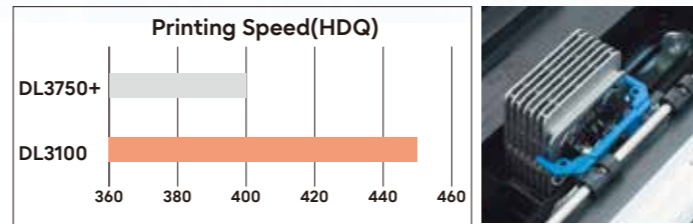


Variety of Paper Types

- Stock Forms (3.75 inch - 10.5 inch width)
- Cut Sheet Papers (3.75 inch - 10.5 inch width)
- Carbon Backed Papers. (2P - 6P)
(Maximum copy ability is 6P under specific paper conditions.)



High speed printing



The maximum print speed is up to 450 cps at 10 cpi. This is achieved through the advanced head control technology.

Flexible connectivity ~ Interface support ~

~ Various interface model ~
Standard Interface is USB.
There are each interface model suitable for business as follows.

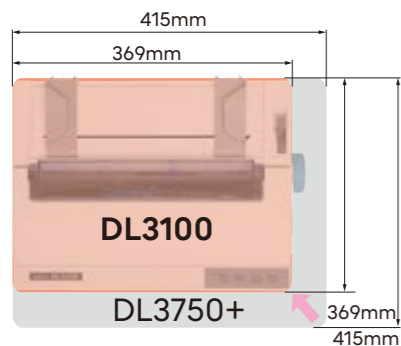
	Interface Type			
	USB	Centro	RS-232C	LAN
Standard model	✓			
Centro model	✓	✓		
RS-232C model	✓		✓	
LAN model	✓			✓

(*Interface type is the factory option. It can't change the interface type.)



Compact design

The design of DL3100 was completely reviewed all the component. DL3100 is achieved the compactness without any performance degradation



DL3100
369mm(W) x 283mm(D)

DL3750+
415mm(W) x 330mm(D)

24% smaller than the current model.

Easy operation

- High Impact for Multiple Carbon Copies
The multiple carbon copies is up to 6 copies(1 original + 5 copies).
By this capability, DL3100 series covers the various business applications
Gap lever is easy to access and the setting change is easy.

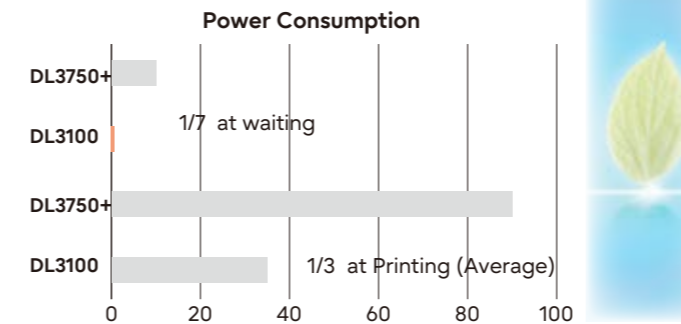


- Paper source selection
It is easy to select the paper source between the cut sheet and the continuous paper.

FUJITSU ECO Friendly and Reliability

Energy saving

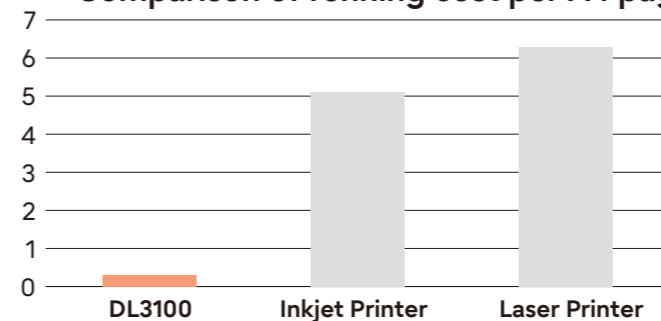
~ ECO & Saving printer's cost ~
DL3100 Series comply with the New Energy Star Program.
Also, The power consumption is 1.1W or less at the waiting mode and 37W or less at the operation(Average)



Reduced Operation Costs

~ Minimum run cost ~
Save money and reduce waste by using Fujitsu's ribbon. Ribbon replacement is quick and easy and does not require any tools.

Comparison of running cost per A4 page



(*According to our calculations)

SIDM << Laser << Inkjet
0.3\$ 5.1\$ 6.3\$

The consumable costs per page are up to 20 time less than that of other printer types. (SIDM : Serial Impact Dot Matrix Printer)



High reliability



Fujitsu printers are known for their reliability and longevity. DL3100 series was extensively tested to ensure they meet Fujitsu's quality standards, and are ISO9001 certified

Covering safety standard for each region

~ Appropriate printer for international Business ~
FUJITSU Products covers safety standard for each region.
(*Safety standard is different depending on product)



*CB Test is certificated.

More over, DL3100 series obtain the standards which are advantage for your business.

- Not containing Hazardous Substances
The DL3100 series is RoHS compliant and comply with Fujitsu's own strict environmental protection standards.
- Eco Mark Program
DL3100 series comply with the Eco Mark Program

