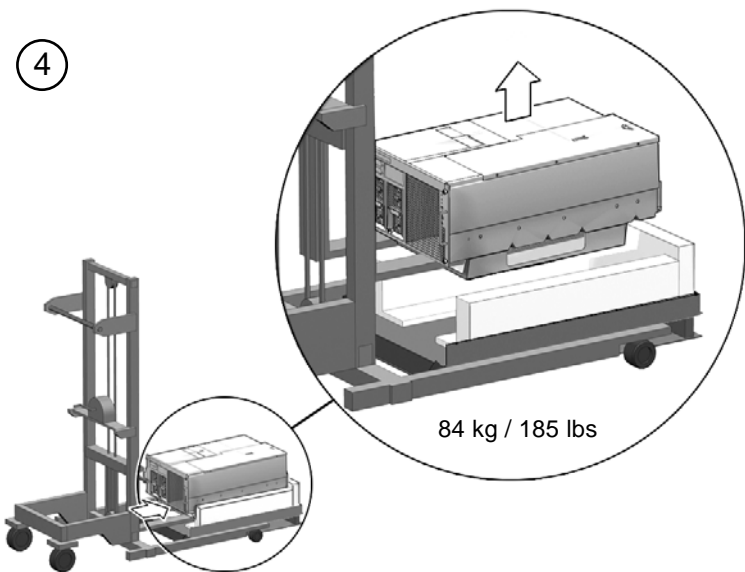
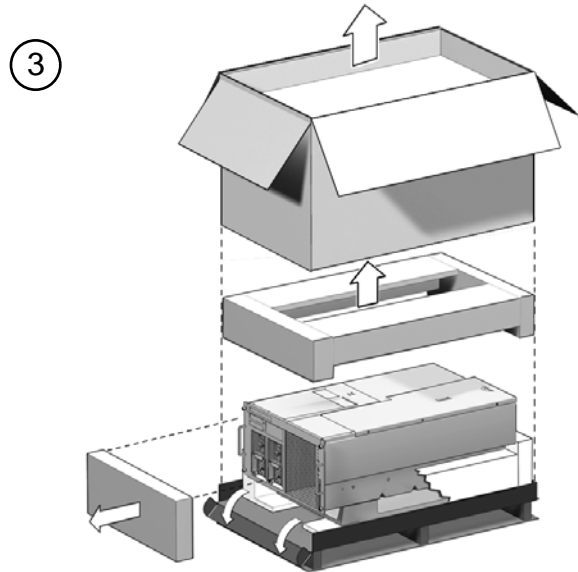
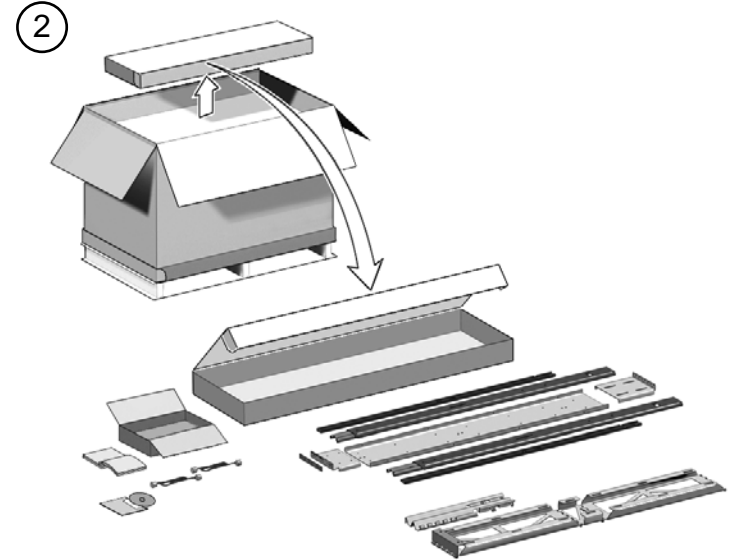
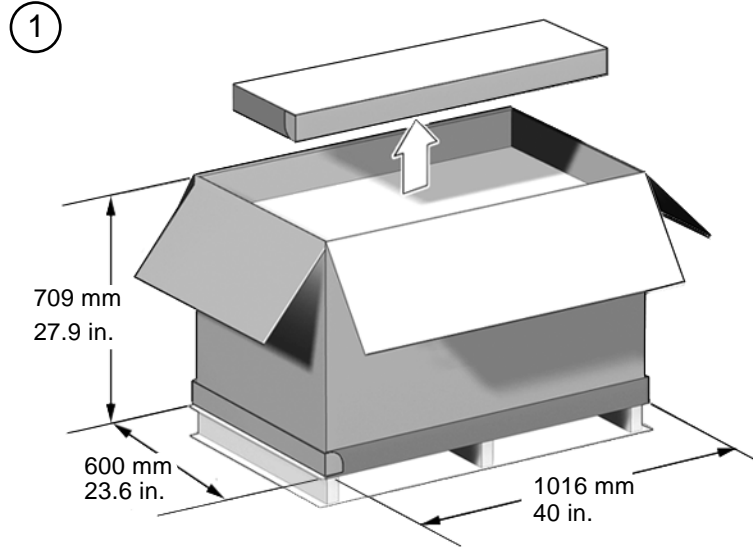


SPARC Enterprise M4000 Server Unpacking Guide 開梱の手引き



Part No.: 821-3043-10,
Manual Code: C120-E349-02XA
December 2010, Revision A