

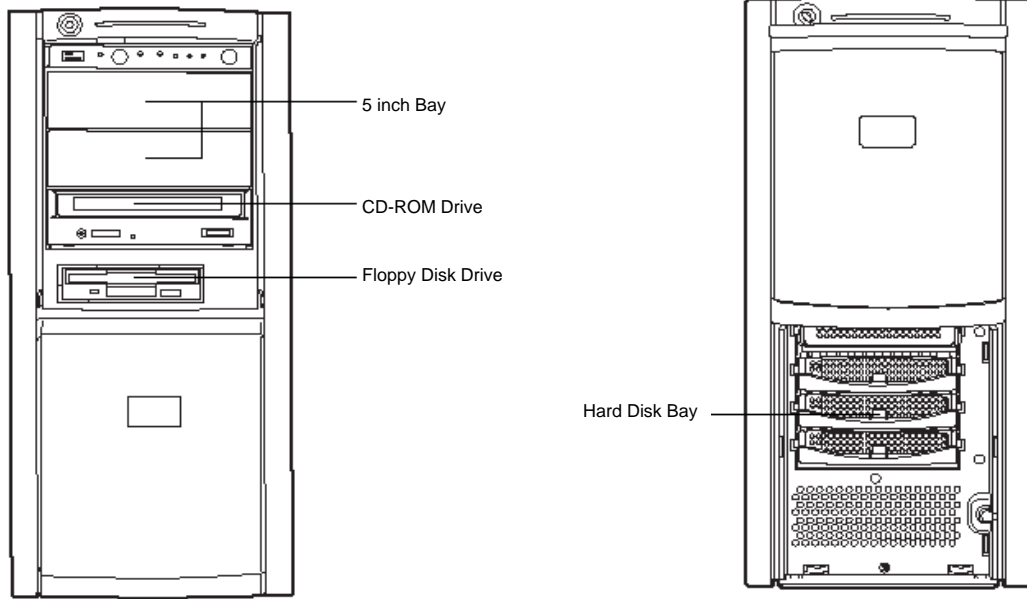
PRIMERGY[®]

System Configuration and Order-information Guide

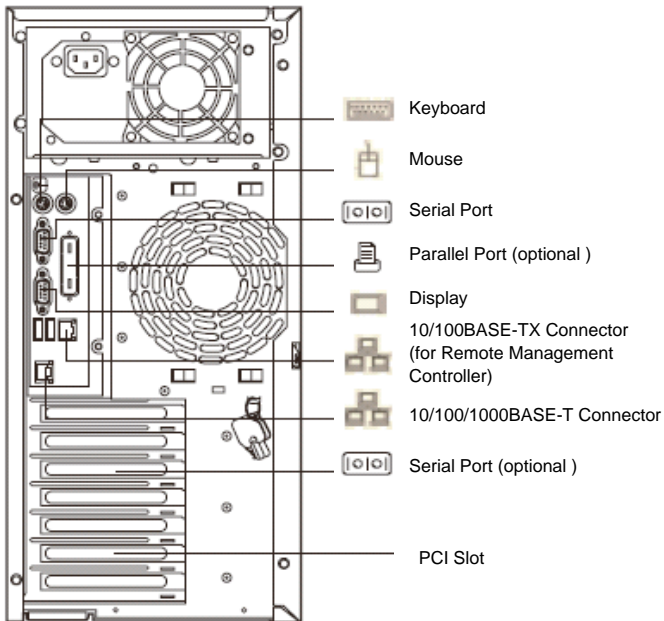
TX150 S5

November 2007

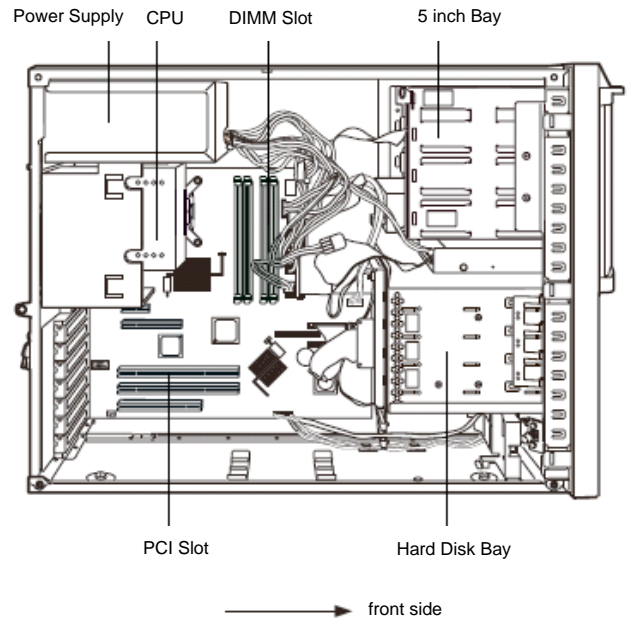
Front View



Back View



Inside View



Instruction

This document contains basic product and configuration information that will enable you to configure your system.

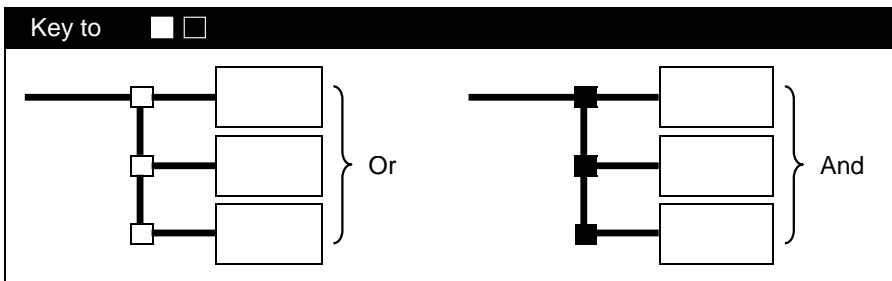
Only these tools will ensure a fast and proper configuration of your PRIMERGY server or your complete PRIMERGY Rack system.

You can configure your individual PRIMERGY servers in order to meet your specific requirements.

Please follow the lines. If there is a junction, you can choose which way or component you would like to take.

Go through the configurator by following the lines from the top to the bottom.

The color of the junction means as follows.



PRIMERGY TX150 S5

Data Sheet

Type		Mono-Processor Tower Server
Base Unit	Xeon® 3040 (1.86GHz)	PGUT1554A
CPU	Frequencies	Dual-Core Intel® Xeon® 3070 (2.66GHz) *5 / 3040 (1.86GHz)
	Second-Level-Cache	4MB (Dual-Core Intel® Xeon® 3070 (2.66GHz)) / 2MB (Dual-Core Intel® Xeon® 3040 (1.86GHz))
Front-Side-Bus		1066MHz
Chipset		Intel® 3000
Memory	Standard	512MB (512MB ECC DDR2 SDRAM DIMM x 1)
	Maximum *1	8GB (2GB ECC DDR2 SDRAM DIMM x 4)
Graphics Controller		incl. Remote Management Controller, VRAM : 1.7MB
Resolution *2	640x480 dot	16777216 colors
	800x600 dot	16777216 colors
	1024x768 dot	65536 colors
	1280x1024 dot	256 colors
Internal Bays 3.5 inch HDD (SAS)	Number of bays	4 (hot plug)
	Available HDD *3	73.4GB (PG-HDB75A) 15krpm, SAS 146.8GB (PG-HDB45A) 15krpm, SAS 300.0GB (PG-HDB35A) 15krpm, SAS
	Maximum *3	1.2TB (300.0GB x 4) *6
	Internal Bays 5inch	3 (2 free bays)
CD-ROM		standard (Max 48 ATAPI)
PCI Slots	PCI Express (x4) [x8]	1
	PCI Express (x1) [x1]	1
	PCI-X (64bit/66MHz) [3.3V]	2 (2 x Full Size)
	PCI (32bit/33MHz) [5.0V]	1 (1 x Full Size)
RAID Controller		Onboard
SAS Controller		Onboard, SAS x 4ports (with RAID1 function) *6
Internal FDD		3.5inch (1.44MB/720KB)
Network Controller (onboard)		1 port (1000BASE-T/100BASE-TX/10BASE-T)
Interfaces		Display (Analog RGB), Serial Port x 1 (D-SUB 9pins) (2 when Serial Port (PG-COM04) is applied.) Parallel Port (optional D-SUB 25pins) Keyboard (PS/2type Mini DIN 6pins), Mouse (PS/2type Mini DIN 6pins), USB x 4 (ver. 2.0) (Internal : x 1, External : x 3)
Server Management Software		ServerView (standard)
Remote Service function		standard (onboard, Remote Management Controller)
Power supply	connector	1 port (100BASE-TX/10BASE-T)
	Voltage	AC 100-127V (50/60Hz) / AC 200-240V (50/60Hz) x 1 (max. 1)
	Power consumption	280W /1008kJ/h (max.)
Redundant power supply		-
Redundant Fan		-
Dimensions (mm)		Tower: 205(W)x602(D)x444(H) Rackmount (when Rack Conversion kit (PG-R1CK21/PGBR1CK21) is applied.) : 440 (482 incl. protruding parts) (W)x562 (597 incl. protruding parts) (D)x221.2 (5U) (H)
Weight		Tower: 27kg (max.) / Rackmount: 29kg (max.)
Environmental Conditions		Temperature 10-35°C / Humidity 20-80% (non condensing)
OS Support *4		Windows Server® 2003 R2, Standard Edition / Windows Server® 2003 R2, Standard Edition (SP2 *7) Windows Server® 2003, Standard Edition (SP1/SP2 *7) Windows Server® 2003 R2, Standard x64 Edition / Windows Server® 2003 R2, Standard x64 Edition (SP2 *7) Windows Server® 2003, Standard x64 Edition / Windows Server® 2003, Standard x64 Edition (SP2 *7) Windows® Small Business Server 2003 R2 / Windows® Small Business Server 2003 R2 (SP2 *7) Windows® Small Business Server 2003 (SP1/SP2 *7) Windows® 2000 Server (SP4) Red Hat Enterprise Linux ES (v.4 for x86) / Red Hat Enterprise Linux ES (v.4 for EM64T) Red Hat Enterprise Linux 5 (for x86) *8 / Red Hat Enterprise Linux 5 (for Intel64) *8
Attached tool (Standard)		ServerStart (Setup Support tool) *9

*1. Available memory capacity will be changed by the type of OS. Please find more details in Notes [Memory OS Compatibility List].

*2. Resolution is determined by functions of the display monitor and OS.

*3. HDD capacity is calculated according to the formulas 1GB=1000³ byte and 1TB=1000⁴ byte.

*4. Drivers for Linux are not attached. Please download and use drivers of the following URL.

<http://www.fujitsu.com/global/services/computing/server/ia/driver/>

*5. CPU Conversion kit: Xeon 3040(1.86GHz/2MB) -> Xeon 3070(2.66GHz/4MB) (PGBFU30W) is available for upgrading to Dual-Core Intel® Xeon® 3070 (2.66GHz).

*6. In case that On board SAS Controller is used for RAID configuration, only 2 HDDs of same capacity and same rpm can be connected.

*7. There are some notes for Windows 2003 SP2. Please refer to Notes of Support Matrix.

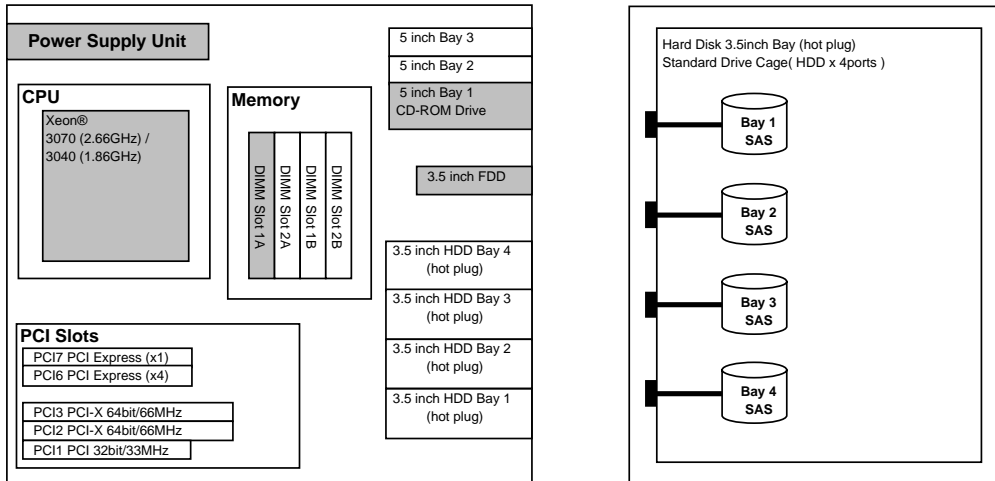
<http://www.fujitsu.com/downloads/PRMRGY/support-matrix.pdf>

*8. VM (Virtual Machine) function is not supported.

*9. ServerStart doesn't support Linux.

*. Noise level is 35dB.

Configuration Diagram



*Components installed as standard configuration marked in grey.

Mountable I/O Options

Mount Priority	Mountable Cards		Bus	PCI Slot					Max No. of Mount	Remarks
				1	2	3	6	7		
				PCI	PCI-X		PCI Express			
				32bit/ 33MHz	64bit/ 66MHz		x4 lane	x1 lane		
Full Height										
				5.0V	3.3V		x8 socket	x1 socket		
High ↑ ↓ Low	SAS RAID Ctrl	PG-140F / PGB140F	PCI-X/64bit	-	[1]	-	-	-	1	Internal array
	SCSI Ctrl U160	PG-1281 / PGB1281	PCI/64bit	[1]	-	[2]	-	-	2	Internal/External SCSI Connector
	Eth. Ctrl 2x1Gbit PCI-E 1000-BASE-T	PG-2861 / PGB2861	PCI Express (x4)	-	-	-	[1]	-	2	PCI Express Card
	Eth. Ctrl 1x1Gbit PCI-E 1000-BASE-T	PG-289 / PGB289	PCI Express (x1)	-	-	-	[2]	[1]	2	PCI Express Card
	Eth. Ctrl 1000-BASE-T Cu	PG-1892 / PGB1892	PCI-X/64bit	[3]	[2]	[1]	-	-	3	
	Eth. Ctrl 1x1Gbit PCI 1000-BASE-T	PG-1853 / PGB1853	PCI-X/32bit	[3]	[2]	[1]	-	-	3	No AFT/ALB Support

* [n] : Installation Priority
 * - : cannot be installed

Connection Table

Form factor conversion (Tower to Rackmount)



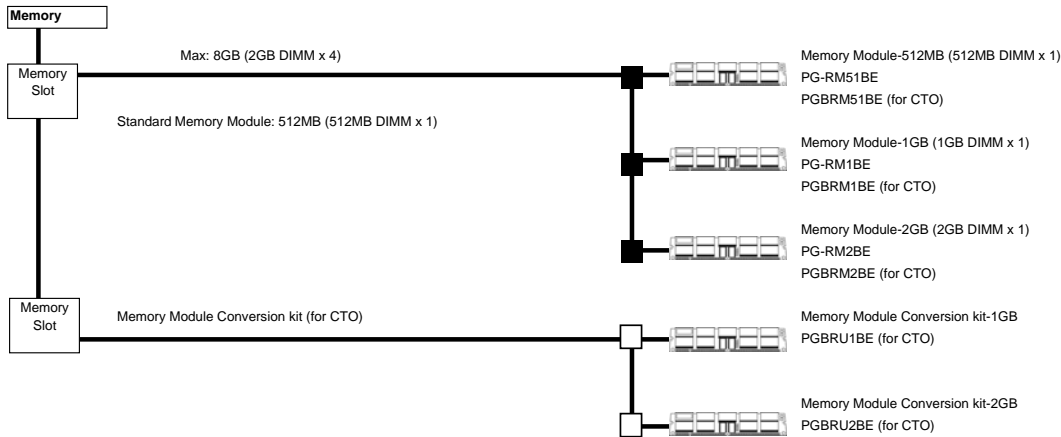
Rack Conversion kit (Tower to Rackmount (5U))
 PG-R1CK21
 PGBR1CK21 (for CTO)

*. In case that Rack Conversion kit is ordered by CTO, mouse is not attached with base unit.

*CPU Conversion Kit (available only for a Configure to Order (CTO) option; no separate shipment is possible)

Type	Product ID	
CPU Conversion Kit: Xeon 3040(1.86GHz/2MB) -> Xeon 3070(2.66GHz/4MB) (for CTO)	PGBFU30W	Dual-Core Intel® Xeon® 3040(1.86GHz/2MB) -> Dual-Core Intel® Xeon® 3070(2.66GHz/4MB) Convert the CPU installed as standard in the base unit to the other. (Note: This option can be ordered only as coupled with the base unit. A separate shipment is not possible.)

PRIMERGY TX150 S5



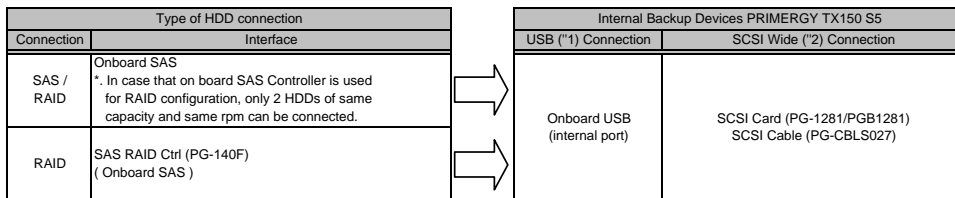
***. Notes on installing memory**

1. Memory is installed by one or more DIMMs.
2. The memory capacities of the slots should be in ascending order in the following sequence:
1A -> 1B -> 2A -> 2B

(Available Memory Area)

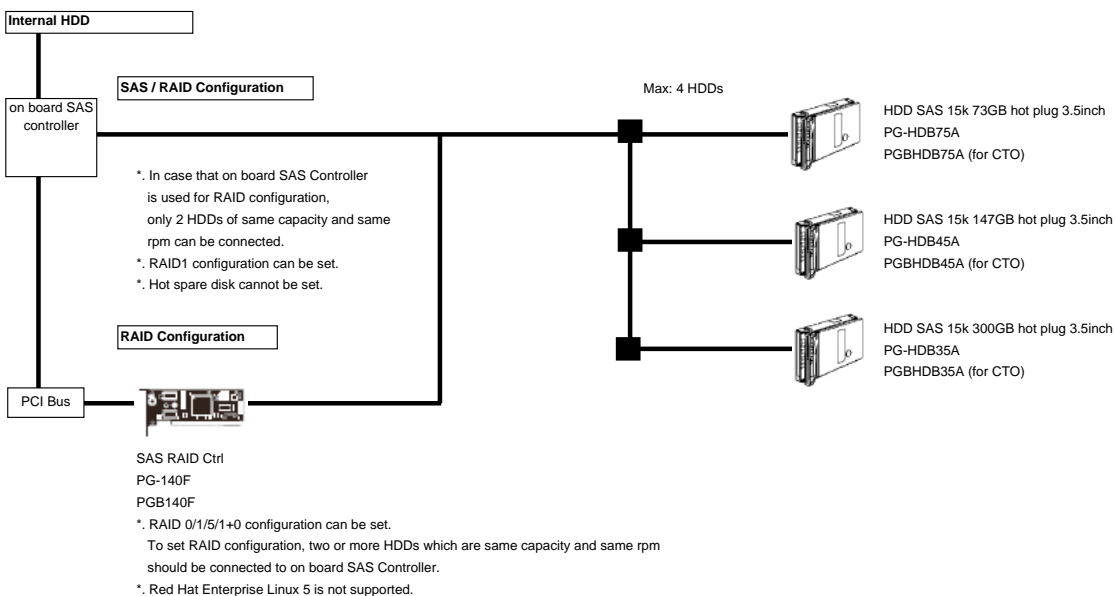
OS	Mounted Memory	Available Memory Area
Windows® 2000 Server (SP4)	~3.5GB	Same as the size of mounted memory
	4.0GB	Size of Mounted Memory minus "0.5GB"
Windows Server® 2003, Standard Edition (SP1) Windows Server® 2003 R2, Standard Edition Windows® Small Business Server 2003 (SP1) Windows® Small Business Server 2003 R2	~3.5GB	Same as the size of mounted memory
	4.0GB	Same as the size of mounted memory
Others	~8.0GB	Same as the size of mounted memory

Connecting Internal HDD and Internal Backup Devices



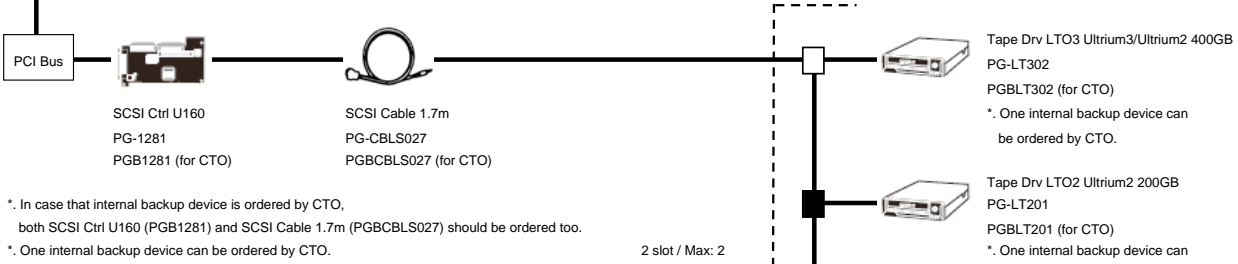
(*1) USB Backup Devices: PG-DT5041

(*2) SCSI Wide Backup Devices: PG-LT302/PG-LT201/PG-LT102

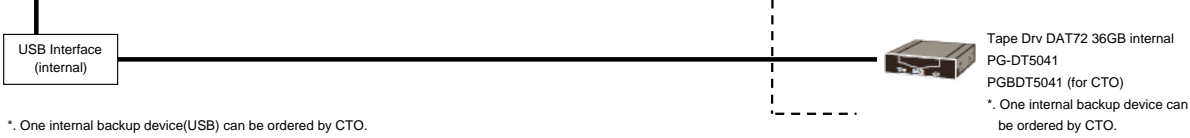


PRIMERGY TX150 S5

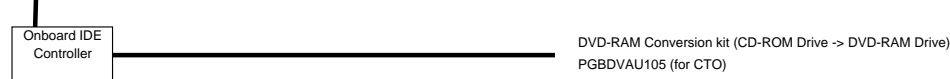
Internal backup device



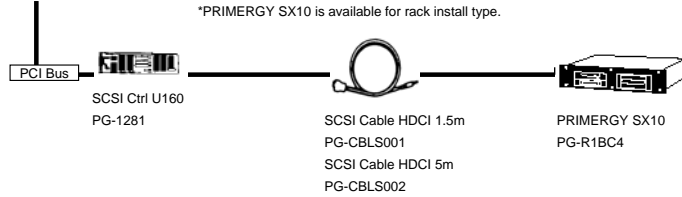
Internal backup device (USB)



Internal DVD-RAM

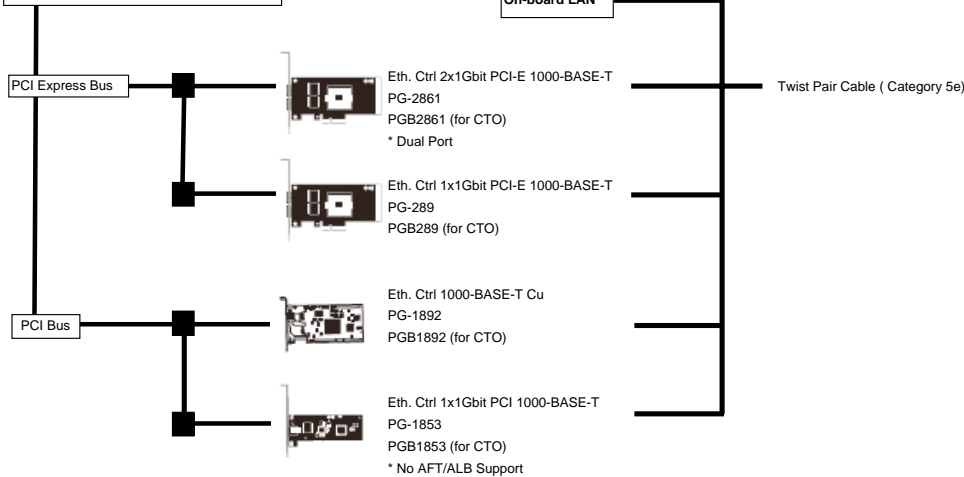


Internal backup device (PRIMERGY SX10)

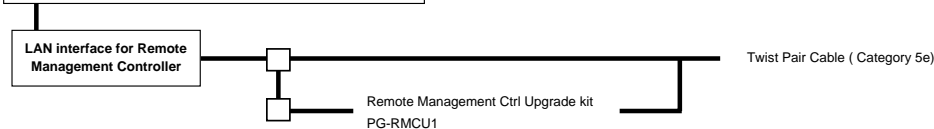


*Please find more information on the internal backup devices for PRIMERGY SX10 in Rackmount[Internal Backup Devices with PRIMERGY SX10]

LAN Card (Standard PCI Slot)



Server Management (Remote Management Controller)



PRIMERGY TX150 S5

Serial Port

Back-side Panel

Serial Port
PG-COM04

Parallel Port Option

Back-side Panel

Parallel Port Option
PG-PP06

Specifications are subject to change without notice. For the latest detailed information, contact your local representative.

All brand names and product names are trademarks and registered trademarks of their respective holders.

©2007 Fujitsu Limited. All rights reserved. Printed in Japan.

FUJITSU LIMITED

Global Business Development & Marketing

Business Strategy & Planning

System Products

URL <http://primergy.fujitsu.com>