

# **PRIMERGY<sup>®</sup>**

---

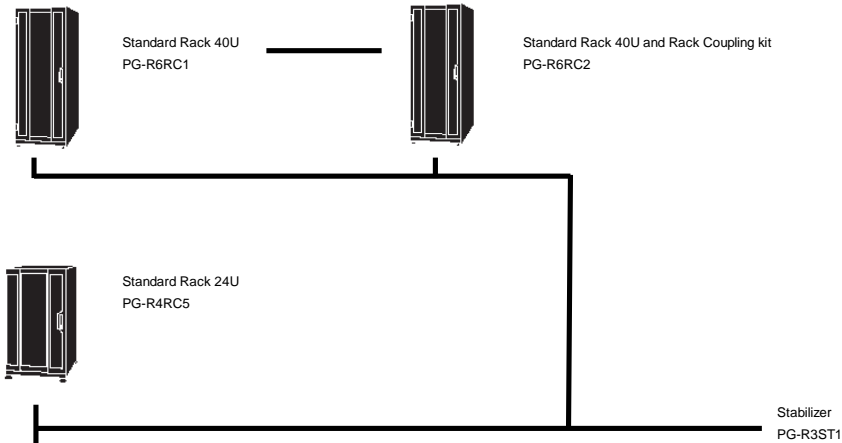
System Configuration and Order-information Guide

Rackmount

**March 2009**

**PRIMERGY Rackmount**

**19 inch Rack**



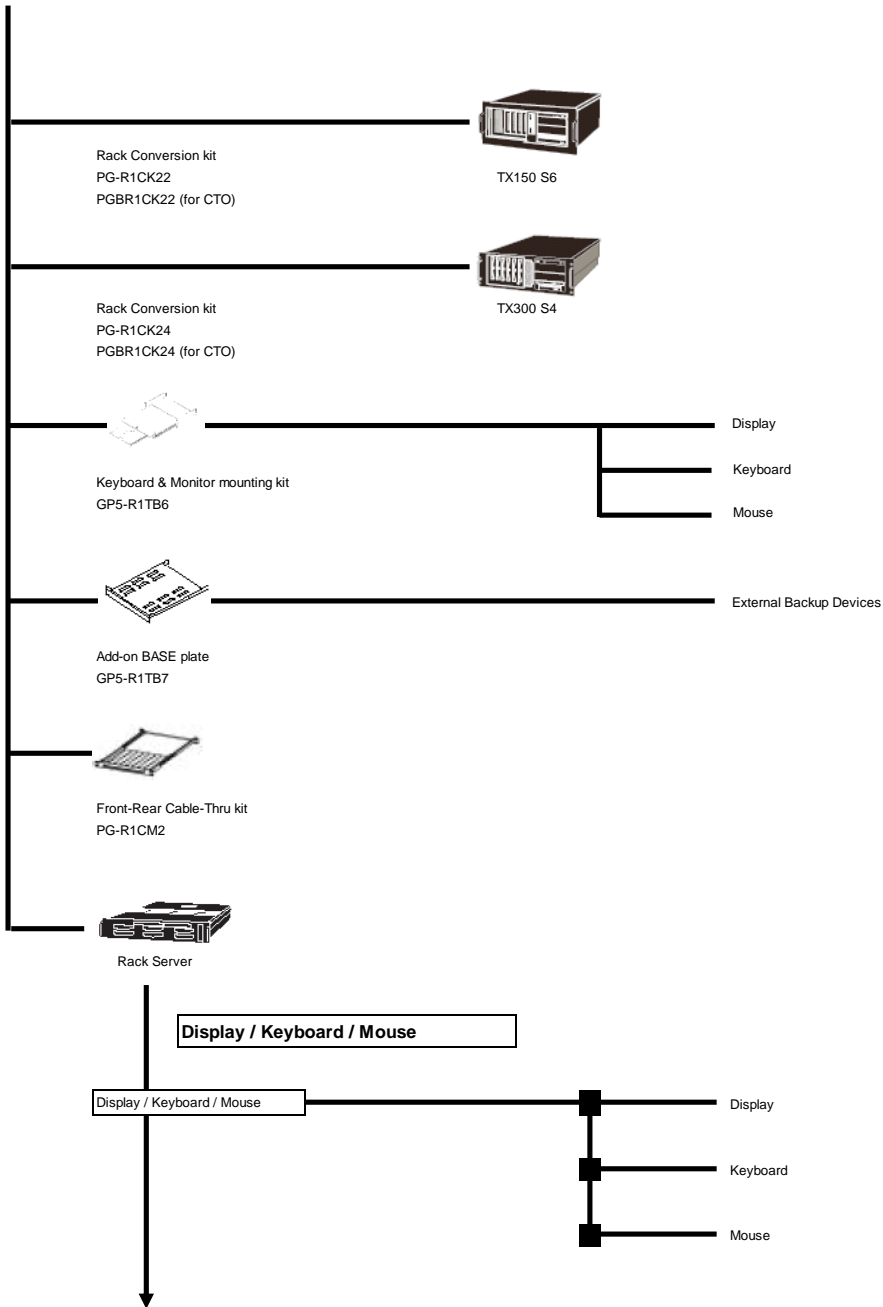
Product Name	Product ID	No. of units required	W x D x H	Cooling	Weight	Installable Weight	Rack Connection
Standard Rack 40U	PG-R6RC1	40U + 2U x 2	700 x 1050 x 2000	o	190kg	800kg	o
Standard Rack 40U and Rack Coupling kit	PG-R6RC2	40U + 2U x 2	700 x 1050 x 2000	o	155kg	800kg	
Standard Rack 24U	PG-R4RC5	24U + 2U	700 x 1060 x 1264	o	115kg	480kg	X

\*. O : supported  
 X : not supported  
 \*. 1U = 44.45 mm

	Product Name	Product ID	No. of units occupied	19inch Standard Rack		
				No. of units required	Product ID	
				40U + 2U x 2	PG-R6RC1	
Base Unit	PRIMERGY TX150 S6		5U	Rack Conversion kit (PG-R1CK22/PGBR1CK22)		
	PRIMERGY TX300 S4		4U	Rack Conversion kit (PG-R1CK24/PGBR1CK24)		
	PRIMERGY RX100 S5		1U	o		
	PRIMERGY RX200 S4	*1	1U	o		
	PRIMERGY RX300 S4	*2	2U	o		
	PRIMERGY RX600 S4		4U	o		
	PRIMERGY BX600 S3 Blade Server System Unit	PGUR4SC2	7U	o		
Hard Disk	PRIMERGY SX35	PG-R2DC2	2U	o		
	ETERNUS2000 Model 50 (Disk Array)		2U	o		
	ETERNUS2000 Model 100 (Disk Array)		2-4U	o		
	ETERNUS2000 Model 200 (Disk Array)		2-12U	o		
	ETERNUS4000 Model 300 (Disk Array)	Base Equipment		12U	o	
		additional drive enclosure		3Ux2x3	o	
	ETERNUS4000 Model 500 (Disk Array)	Base Equipment		12U	o	
additional drive enclosure			3Ux2x13	o		
Backup Devices	PRIMERGY SX10 S2	PG-R2BC1	3U	o		
Others	Keyboard & monitor mounting kit	GP5-R1TB6	*3	o		
	Add-on BASE plate	GP5-R1TB7	*4	o		
	Stabilizer	PG-R3ST1	-	o		

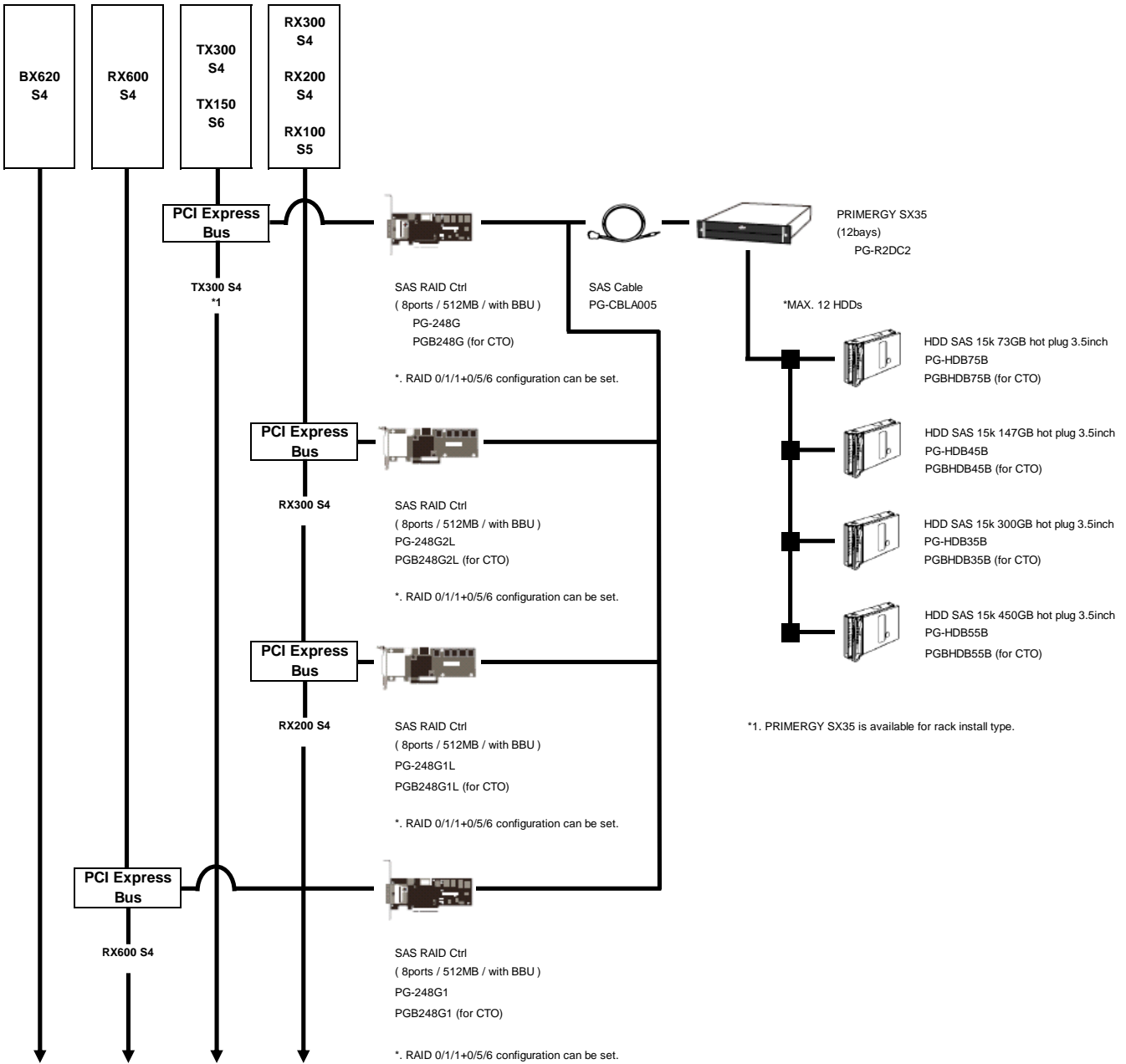
\*. O : supported  
 \*1. Space of 1 unit or more is necessary at the top of rack.  
 \*2. Space of 2 units or more is necessary at the top of rack.  
 \*3. 9 units are occupied for console and 1 unit is occupied for keyboard.  
 \*4. The number of occupied units depends on installed equipment.

**PRIMERGY Rackmount**



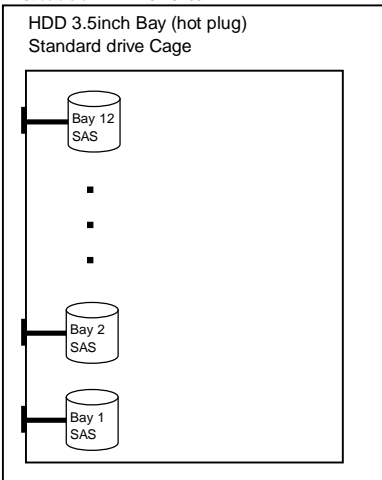
**PRIMERGY Rackmount**

**Hard Disk Cabinet (PRIMERGY SX35)**



**\*Note on PRIMERGY SX35 (Hard Disk Cabinet)**

**1. Structure of PRIMERGY SX35**



2. PRIMERGY SX35 can be connected to only one server.

**\*. SAS RAID Ctrl includes a battery as standard equipment.**

The battery lifetime is 3 years.  
Please purchase the following spare battery and replace the old battery with new one before the battery runs out.

[ for SAS RAID Ctrl (PG-248G/PG-248G1L/PG-248G2L) ]

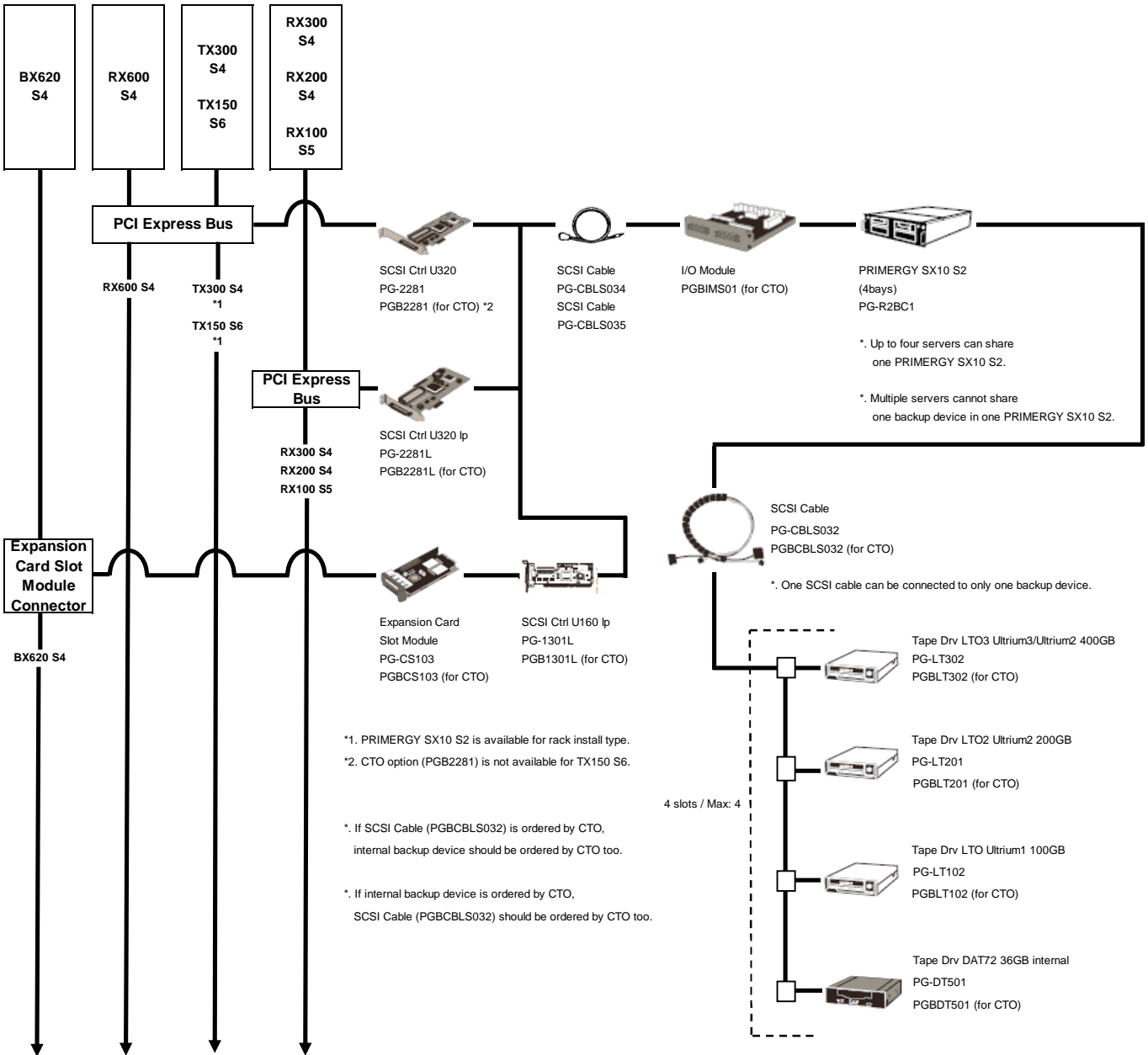
Battery Backup Unit  
PG-BBU4

[ for SAS RAID Ctrl (PG-248G1) ]

Battery Backup Unit  
PG-BBU5

**PRIMERGY Rackmount**

**Backup Device Cabinet (PRIMERGY SX10 S2)**



Specifications are subject to change without notice. For the latest detailed information, contact your local representative.

All brand names and product names are trademarks and registered trademarks of their respective holders.

©2006 Fujitsu Limited. All rights reserved. Printed in Japan.