

SPARC Enterprise M3000/M4000/M5000/M8000/M9000 Servers

RCI User's Guide

Copyright © 2007, 2012, Fujitsu Limited. All rights reserved.

Oracle and/or its affiliates provided technical input and review on portions of this material.

Oracle and/or its affiliates and Fujitsu Limited each own or control intellectual property rights relating to products and technology described in this document, and such products, technology and this document are protected by copyright laws, patents, and other intellectual property laws and international treaties.

This document and the product and technology to which it pertains are distributed under licenses restricting their use, copying, distribution, and decompilation. No part of such product or technology, or of this document, may be reproduced in any form by any means without prior written authorization of Oracle and/or its affiliates and Fujitsu Limited, and their applicable licensors, if any. The furnishings of this document to you does not give you any rights or licenses, express or implied, with respect to the product or technology to which it pertains, and this document does not contain or represent any commitment of any kind on the part of Oracle or Fujitsu Limited, or any affiliate of either of them.

This document and the product and technology described in this document may incorporate third-party intellectual property copyrighted by and/or licensed from the suppliers to Oracle and/or its affiliates and Fujitsu Limited, including software and font technology.

Per the terms of the GPL or LGPL, a copy of the source code governed by the GPL or LGPL, as applicable, is available upon request by the End User. Please contact Oracle and/or its affiliates or Fujitsu Limited.

This distribution may include materials developed by third parties.

Parts of the product may be derived from Berkeley BSD systems, licensed from the University of California. UNIX is a registered trademark in the U.S. and in other countries, exclusively licensed through X/Open Company, Ltd.

Oracle and Java are registered trademarks of Oracle and/or its affiliates. Fujitsu and the Fujitsu logo are registered trademarks of Fujitsu Limited.

All SPARC trademarks are used under license and are registered trademarks of SPARC International, Inc. in the U.S. and other countries. Products bearing SPARC trademarks are based upon architectures developed by Oracle and/or its affiliates. SPARC64 is a trademark of SPARC International, Inc., used under license by Fujitsu Microelectronics, Inc. and Fujitsu Limited. Other names may be trademarks of their respective owners.

United States Government Rights - Commercial use. U.S. Government users are subject to the standard government user license agreements of Oracle and/or its affiliates and Fujitsu Limited and the applicable provisions of the FAR and its supplements.

Disclaimer: The only warranties granted by Oracle and Fujitsu Limited, and/or any affiliate of either of them in connection with this document or any product or technology described herein are those expressly set forth in the license agreement pursuant to which the product or technology is provided. EXCEPT AS EXPRESSLY SET FORTH IN SUCH AGREEMENT, ORACLE OR FUJITSU LIMITED, AND/OR THEIR AFFILIATES MAKE NO REPRESENTATIONS OR WARRANTIES OF ANY KIND (EXPRESS OR IMPLIED) REGARDING SUCH PRODUCT OR TECHNOLOGY OR THIS DOCUMENT, WHICH ARE ALL PROVIDED AS IS, AND ALL EXPRESS OR IMPLIED CONDITIONS, REPRESENTATIONS AND WARRANTIES, INCLUDING WITHOUT LIMITATION ANY IMPLIED WARRANTY OF MERCHANTABILITY, FITNESS FOR A PARTICULAR PURPOSE OR NON-INFRINGEMENT, ARE DISCLAIMED, EXCEPT TO THE EXTENT THAT SUCH DISCLAIMERS ARE HELD TO BE LEGALLY INVALID. Unless otherwise expressly set forth in such agreement, to the extent allowed by applicable law, in no event shall Oracle or Fujitsu Limited, and/or any of their affiliates have any liability to any third party under any legal theory for any loss of revenues or profits, loss of use or data, or business interruptions, or for any indirect, special, incidental or consequential damages, even if advised of the possibility of such damages.

DOCUMENTATION IS PROVIDED "AS IS" AND ALL EXPRESS OR IMPLIED CONDITIONS, REPRESENTATIONS AND WARRANTIES, INCLUDING ANY IMPLIED WARRANTY OF MERCHANTABILITY, FITNESS FOR A PARTICULAR PURPOSE OR NON-INFRINGEMENT, ARE DISCLAIMED, EXCEPT TO THE EXTENT THAT SUCH DISCLAIMERS ARE HELD TO BE LEGALLY INVALID.



Please
Recycle



Adobe PostScript

Copyright © 2007, 2012, Fujitsu Limited. Tous droits reserves.

Oracle et/ou ses societes affiliees ont fourni et verifie des donnees techniques de certaines parties de ce composant.

Oracle et/ou ses societes affiliees et Fujitsu Limited detiennent et controlent chacune des droits de propriete intellectuelle relatifs aux produits et technologies decrits dans ce document. De meme, ces produits, technologies et ce document sont proteges par des lois sur le copyright, des brevets, d'autres lois sur la propriete intellectuelle et des traites internationaux

Ce document, le produit et les technologies afferents sont exclusivement distribues avec des licences qui en restreignent l'utilisation, la copie, la distribution et la decompilation. Aucune partie de ce produit, de ces technologies ou de ce document ne peut etre reproduite sous quelque forme que ce soit, par quelque moyen que ce soit, sans l'autorisation ecrite prealable d'Oracle et/ou ses societes affiliees et de Fujitsu Limited, et de leurs eventuels bailleurs de licence. Ce document, bien qu'il vous ait ete fourni, ne vous confere aucun droit et aucune licence, expresse ou tacite, concernant le produit ou la technologie auxquels il se rapporte. Par ailleurs, il ne contient ni ne represente aucun engagement, de quelque type que ce soit, de la part d'Oracle ou de Fujitsu Limited, ou des societes affiliees de l'une ou l'autre entite.

Ce document, ainsi que les produits et technologies qu'il decrit, peuvent inclure des droits de propriete intellectuelle de parties tierces proteges par copyright et/ou cedes sous licence par des fournisseurs a Oracle et/ou ses societes affiliees et Fujitsu Limited, y compris des logiciels et des technologies relatives aux polices de caracteres.

Conformement aux conditions de la licence GPL ou LGPL, une copie du code source regi par la licence GPL ou LGPL, selon le cas, est disponible sur demande par l'Utilisateur final. Veuillez contacter Oracle et/ou ses societes affiliees ou Fujitsu Limited.

Cette distribution peut comprendre des composants developpes par des parties tierces.

Des parties de ce produit peuvent etre derivees des systemes Berkeley BSD, distribues sous licence par l'Universite de Californie. UNIX est une marque deposee aux Etats-Unis et dans d'autres pays, distribuee exclusivement sous licence par X/Open Company, Ltd.

Oracle et Java sont des marques deposees d'Oracle Corporation et/ou de ses societes affiliees. Fujitsu et le logo Fujitsu sont des marques deposees de Fujitsu Limited.

Toutes les marques SPARC sont utilisees sous licence et sont des marques deposees de SPARC International, Inc., aux Etats-Unis et dans d'autres pays. Les produits portant la marque SPARC reposent sur des architectures developpees par Oracle et/ou ses societes affiliees. SPARC64 est une marque de SPARC International, Inc., utilisee sous licence par Fujitsu Microelectronics, Inc. et Fujitsu Limited. Tout autre nom mentionne peut correspondre a des marques appartenant a d'autres proprietaires.

United States Government Rights - Commercial use. U.S. Government users are subject to the standard government user license agreements of Oracle and/or its affiliates and Fujitsu Limited and the applicable provisions of the FAR and its supplements.

Avis de non-responsabilite : les seules garanties octroyees par Oracle et Fujitsu Limited et/ou toute societe affiliee de l'une ou l'autre entite en rapport avec ce document ou tout produit ou toute technologie decrits dans les presentes correspondent aux garanties expressement stipulees dans le contrat de licence regissant le produit ou la technologie fournis. SAUF MENTION CONTRAIRE EXPRESSEMENT STIPULEE DANS CE CONTRAT, ORACLE OU FUJITSU LIMITED ET LES SOCIETES AFFILIEES A L'UNE OU L'AUTRE ENTITE REJETTENT TOUTE REPRESENTATION OU TOUTE GARANTIE, QUELLE QU'EN SOIT LA NATURE (EXPRESSE OU IMPLICITE) CONCERNANT CE PRODUIT, CETTE TECHNOLOGIE OU CE DOCUMENT, LESQUELS SONT FOURNIS EN L'ETAT. EN OUTRE, TOUTES LES CONDITIONS, REPRESENTATIONS ET GARANTIES EXPRESSES OU TACITES, Y COMPRIS NOTAMMENT TOUTE GARANTIE IMPLICITE RELATIVE A LA QUALITE MARCHANDE, A L'APTITUDE A UNE UTILISATION PARTICULIERE OU A L'ABSENCE DE CONTREFACON, SONT EXCLUES, DANS LA MESURE AUTORISEE PAR LA LOI APPLICABLE. Sauf mention contraire expressement stipulee dans ce contrat, dans la mesure autorisee par la loi applicable, en aucun cas Oracle ou Fujitsu Limited et/ou l'une ou l'autre de leurs societes affiliees ne sauraient etre tenues responsables envers une quelconque partie tierce, sous quelque theorie juridique que ce soit, de tout manque a gagner ou de perte de profit, de problemes d'utilisation ou de perte de donnees, ou d'interruptions d'activites, ou de tout dommage indirect, special, secondaire ou consecutif, meme si ces entites ont ete prealablement informees d'une telle eventualite.

LA DOCUMENTATION EST FOURNIE ? EN L'ETAT ? ET TOUTE AUTRE CONDITION, DECLARATION ET GARANTIE, EXPRESSE OU TACITE, EST FORMELLEMENT EXCLUE, DANS LA MESURE AUTORISEE PAR LA LOI EN VIGUEUR, Y COMPRIS NOTAMMENT TOUTE GARANTIE IMPLICITE RELATIVE A LA QUALITE MARCHANDE, A L'APTITUDE A UNE UTILISATION PARTICULIERE OU A L'ABSENCE DE CONTREFACON.

Contents

Preface	vii
CHAPTER 1 RCI Overview	1-1
1.1 RCI Features	1-1
1.2 RCI Functions	1-2
1.3 RCI Connection Scheme	1-4
CHAPTER 2 Setup of the RCI for Operation	2-1
2.1 Overview of RCI Setup	2-1
2.2 RCI Setup for Initial Installation	2-2
2.2.1 RCI Setup Flow	2-2
2.2.2 Confirming RCI Initialization	2-2
2.2.3 Connecting RCI Cables	2-3
2.2.4 Making an RCI Address Setting	2-3
2.2.5 Making an RCI Configuration Setting	2-3
2.3 RCI Setup for Addition of an RCI I/O Unit	2-4
2.3.1 RCI Setup Flow	2-4
2.3.2 Connecting an RCI Cable	2-5
2.3.3 Making an RCI Addition Setting	2-5
2.4 RCI Setup for Addition of an RCI Host	2-6
2.4.1 RCI Setup Flow	2-6
2.4.2 Confirming RCI Initialization	2-6
2.4.3 Connecting an RCI Cable	2-7
2.4.4 Making an RCI Address Setting	2-7
2.4.5 Making an RCI Addition Setting	2-8
2.5 RCI Setup for Replacement of an RCI I/O Unit	2-9
2.5.1 RCI Setup Flow	2-9
2.5.2 Confirming an RCI Address	2-10
2.5.3 Replacing an RCI I/O Unit	2-11
2.5.4 Making an RCI Replacement Setting	2-11
2.6 RCI Setup for Replacement of an RCI Host	2-12
2.6.1 RCI Setup Flow	2-12
2.6.2 Replacing an RCI Host	2-13
2.6.3 Confirming RCI Initialization	2-13
2.6.4 Connecting an RCI Cable	2-13
2.6.5 Making an RCI Address Setting	2-14
2.6.6 Making an RCI Replacement Setting	2-14
2.7 RCI Setup for Deletion of an RCI I/O Unit	2-15

2.7.1	RCI Setup Flow	2-15
2.7.2	Confirming an RCI Address	2-16
2.7.3	Initializing RCI Hosts	2-17
2.7.4	Deleting an RCI I/O Unit.	2-18
2.7.5	Making an RCI Address Setting.	2-18
2.7.6	Making an RCI Deletion Setting.	2-19
2.8	RCI Setup for Deletion of an RCI Host.	2-20
2.8.1	RCI Setup Flow	2-20
2.8.2	Confirming an RCI Address	2-20
2.8.3	Initializing RCI Hosts	2-21
2.8.4	Deleting an RCI Host	2-21
2.8.5	Making an RCI Address Setting.	2-21
2.8.6	Making an RCI Deletion Setting.	2-22

CHAPTER 3 Command Reference. 3-1

3.1	setrci	3-1
3.2	setrcic	3-8

CHAPTER 4 Error Status 4-1

4.1	setrci Error Status	4-1
4.2	setrcic Error Status	4-2

Figures

Figure 1.1	Connections to RCI I/O units	1-4
Figure 1.2	Cluster connections	1-5
Figure 1.3	Duplicated configuration	1-5
Figure 1.4	Mixture of duplicated and unduplicated configurations	1-6

Table

Table 4.1	The setrci error status	4-1
Table 4.2	The setrcic error status	4-2

Preface

This manual describes the Remote Cabinet Interface (RCI) function on SPARC Enterprise M3000/M4000/M5000/M8000/M9000 servers. This manual is intended for users, specifically system management/maintenance administrators. However, when carrying out actual operations, authorized service personnels do it.

Some references to server names and document names are abbreviated for readability. For example, if you see a reference to the M9000 server, note that the full product name is the SPARC Enterprise M9000 server. And if you see a reference to the *XSCF Reference Manual*, note that the full document name is the *SPARC Enterprise M3000/M4000/M5000/M8000/M9000 Servers XSCF Reference Manual*.

Before reading this document, you should read the *SPARC Enterprise M3000/M4000/M5000/M8000/M9000 Servers XSCF User's Guide* and other manuals referenced in this manual.

At publication of this document, servers described herein were shipping with XCP 1110 firmware installed. That might no longer be the latest available version, or the version now installed. Always see the Product Notes that apply to the firmware on your server, and those that apply to the latest firmware release.

This chapter includes the following sections:

- [Support Conditions](#)
- [Audience](#)
- [Related Documentation](#)
- [Text Conventions](#)
- [Syntax of the Command-Line Interface \(CLI\)](#)
- [Documentation Feedback](#)

Support Conditions

The RCI function is supported on any of the following servers.

- The server which you purchased in Japan from Fujitsu
- The server which is bearing the Fujitsu logo on the front surface, regardless of area of purchase (Note)

Note: This refers to the server which has the black-colored chassis and is exclusively bearing the Fujitsu logo on the front surface.

Audience

This guide is written for experienced system administrators with working knowledge of computer networks and advanced knowledge of the Oracle Solaris Operating System (Oracle Solaris OS).

Related Documentation

All documents for your sever are available online at the following locations:

Documentation	Link
Sun Oracle software-related manuals (Oracle Solaris OS, and so on)	http://www.oracle.com/documentation
Fujitsu documents	http://www.fujitsu.com/sparcenterprise/manual/

The following table lists titles of related documents.

Related SPARC Enterprise M3000/M4000/M5000/M8000/M90000 Servers Documents
SPARC Enterprise M3000 Server Site Planning Guide
SPARC Enterprise M4000/M5000 Servers Site Planning Guide
SPARC Enterprise M8000/M9000 Servers Site Planning Guide
SPARC Enterprise Equipment Rack Mounting Guide
SPARC Enterprise M3000 Server Getting Started Guide(*1)
SPARC Enterprise M4000/M5000 Servers Getting Started Guide(*1)
SPARC Enterprise M8000/M9000 Servers Getting Started Guide(*1)
SPARC Enterprise M3000 Server Overview Guide
SPARC Enterprise M4000/M5000 Servers Overview Guide
SPARC Enterprise M8000/M9000 Servers Overview Guide
SPARC Enterprise M3000/M4000/M5000/M8000/M9000 Servers Important Legal and Safety Information(*1)
SPARC Enterprise M3000 Server Safety and Compliance Guide
SPARC Enterprise M4000/M5000 Servers Safety and Compliance Guide
SPARC Enterprise M8000/M9000 Servers Safety and Compliance Guide
External I/O Expansion Unit Safety and Compliance Guide
SPARC Enterprise M4000 Server Unpacking Guide(*1)
SPARC Enterprise M5000 Server Unpacking Guide(*1)
SPARC Enterprise M8000/M9000 Servers Unpacking Guide(*1)
SPARC Enterprise M3000 Server Installation Guide
SPARC Enterprise M4000/M5000 Servers Installation Guide
SPARC Enterprise M8000/M9000 Servers Installation Guide
SPARC Enterprise M3000 Server Service Manual
SPARC Enterprise M4000/M5000 Servers Service Manual
SPARC Enterprise M8000/M9000 Servers Service Manual
External I/O Expansion Unit Installation and Service Manual
SPARC Enterprise M3000/M4000/M5000/M8000/M9000 Servers RCI Build Procedure

Related SPARC Enterprise M3000/M4000/M5000/M8000/M9000 Servers Documents
SPARC Enterprise M3000/M4000/M5000/M8000/M9000 Servers Administration Guide
SPARC Enterprise M3000/M4000/M5000/M8000/M9000 Servers XSCF User's Guide
SPARC Enterprise M3000/M4000/M5000/M8000/M9000 Servers XSCF Reference Manual
SPARC Enterprise M4000/M5000/M8000/M9000 Servers Dynamic Reconfiguration (DR) User's Guide
SPARC Enterprise M4000/M5000/M8000/M9000 Servers Capacity on Demand (COD) User's Guide
SPARC Enterprise M3000/M4000/M5000/M8000/M9000 Servers RCI User's Guide
SPARC Enterprise M3000/M4000/M5000/M8000/M9000 Servers Product Notes(*2)
SPARC Enterprise M3000 Server Product Notes
SPARC Enterprise M4000/M5000 Servers Product Notes
SPARC Enterprise M8000/M9000 Servers Product Notes
External I/O Expansion Unit Product Notes
SPARC Enterprise M3000/M4000/M5000/M8000/M9000 Servers Glossary
SPARC Enterprise/PRIMEQUEST Common Installation Planning Manual

*1: This is a printed document.

*2: Beginning with the XCP 1100 release.

Text Conventions

This manual uses the following fonts and symbols to express specific types of information.

Fonts/symbols	Meaning	Examples
AaBbCc123	What you type, when contrasted with on-screen computer output. This font represents the example of command input in the frame.	XSCF> adduser jsmith
AaBbCc123	The names of commands, files, and directories; on-screen computer output. This font represents the example of command output in the frame.	XSCF> showuser -p User Name: jsmith Privileges: useradm auditadm
<i>Italic</i>	Indicates the name of a reference manual, a variable, or user-replaceable text.	See the <i>SPARC Enterprise M3000/M4000/M5000/M8000/M9000 Servers XSCF User's Guide</i> .
" "	Indicates names of chapters, sections, items, buttons, or menus.	See Chapter 2, "Setup of the RCI for Operation"

Syntax of the Command-Line Interface (CLI)

The command syntax is as follows:

- A variable that requires input of a value must be put in Italics.
- An optional element must be enclosed in [].
- A group of options for an optional keyword must be enclosed in [] and delimited by |.

Documentation Feedback

If you have any comments or requests regarding this document, go to the following website:

http://www.fujitsu.com/global/contact/computing/sparce_index.html

CHAPTER 1 RCI Overview

This chapter gives an overview of the Remote Cabinet Interface (RCI).

1.1 RCI Features

The RCI is a device control interface used for connections of I/O units to an RCI host.

In this manual, a host and an I/O unit that support the RCI are referred to as an RCI host and an RCI I/O unit (Note), respectively. Furthermore, RCI hosts and RCI I/O units are generally referred to as RCI units.

Note: RCI I/O unit might be described as RCI-IO unit.

While multiple RCI units consisting of an RCI host, another RCI host, and RCI I/O units are connected through the RCI, the RCI controls power supply to all these RCI units together and performs other controls on the RCI I/O units.

By using RCI cables to connect RCI units and RCI setting commands, the following RCI functions can be used:

- Connecting and controlling RCI I/O units
- Asynchronous RCI monitoring (Note) of RCI hosts in a cluster environment

Note: Asynchronous RCI monitoring is a function that immediately detects the panic state in any of the nodes that compose a cluster. The asynchronous RCI monitoring enables the cluster to quickly recover from a failure in a monitored node.

Note: When the RCI network is used, adequate consideration of security is necessary for LAN connections of domains.

- RCI redundancy (only for the high-end system)

The eXtended System Control Facility (XSCF) unit (Note) of the high-end system has a redundant configuration (duplicated configuration), realizing a high-reliability system. The redundant configuration of the XSCF unit can duplicate a network (RCI network) created by connecting RCI units with RCI cables.

Note: The XSCF has a system control facility that runs on a service processor provided as standard in the server. A board with a preinstalled XSCF control program (XSCF firmware) is an XSCF unit.

1.2 RCI Functions

This section describes the functions provided by the RCI.

- Control of power supply to RCI I/O units

When an RCI host is powered on or off, the RCI host powers on or off, respectively, RCI I/O units synchronously. When at least one RCI host in an RCI network is powered on, all RCI I/O units are powered on synchronously. When all RCI hosts are powered off, all RCI I/O units are powered off synchronously.

- Interlocking mechanism for power supply to domains

When remote power control mode is set for a domain, the domain is powered on and off in synchronization with other domains in current server and other domains in the RCI network.

To set remote power control mode in a domain, execute the `setpwrmode (1M)` command in the domain.

For details, see the *Enhanced Support Facility User's Guide for Machine Administration*.

- **Facility control**

Different kinds of facility control are available when the external power controller is connected to the RCI. The external power controller can link with the customer's existing facilities, power on each unit, recognize alarms of each unit, use the operator call function through a contact interface, and perform other such operations. Use the setrcic (8) command at the setting of the facility control. For details on the facility control, contact authorized service personnel.

- **Power-on wait**

The power-on wait function automatically powers on RCI I/O units before powering on RCI hosts.

To use this function in a domain, execute the setpowerupdelay (8) command in the domain.

For details, see the *XSCF Reference Manual*.

- **Asynchronous RCI monitoring**

The following functions are available when the asynchronous RCI monitoring function is enabled for a cluster:

- **Mutual monitoring for detection of abnormalities in RCI hosts (asynchronous monitoring)**

In addition to performing periodic monitoring by INTERCONNECT, this function detects abnormalities such as the panic state in an RCI host.

- **Reliable stopping of an abnormal RCI host**

This function stops, without fail, an abnormal RCI host without terminating a hang-up, slowdown, or generated panic.

- **Switch control**

This function controls line selector switching or other switching in the event that an RCI host fails.

- **RCI network status monitoring**

For stable operation of an RCI network, an RCI host constantly monitors the status of the RCI network. Upon detection of a failure in the RCI network, the RCI host collects a hardware log and reports the failure to the relevant domain.

Note: When the RCI hosts are connected in a cluster configuration, the `rebootxscf (8)` command detects a failure in the RCI network and reports the failure to the relevant domain. When the failure reported to the domain, the cluster software of the domain may suspend the asynchronous RCI monitoring of the domain side. In this case, wait for the `rebootxscf (8)` command to complete and restart the asynchronous RCI monitoring of the domain. For the settings of the asynchronous RCI monitoring function of the domain, see the cluster software manuals..

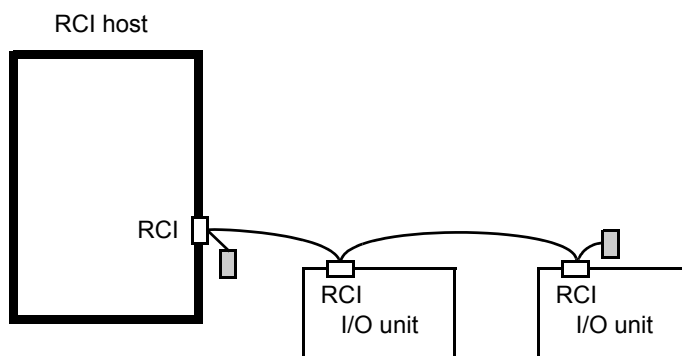
1.3 RCI Connection Scheme

This section outlines RCI connection patterns.

- Basic configuration

Figure 1.1 shows a connection pattern with an RCI host and RCI I/O units.

Figure 1.1 Connections to RCI I/O units



RCI cables are connected in sequence to respective units using T-branch connectors. RCI terminating resistors must be connected to the T-branch connectors at both ends of a set of RCI connections.

Up to 32 RCIs including the RCI host can be connected.

Note that the maximum RCI cable length is 150 meters.

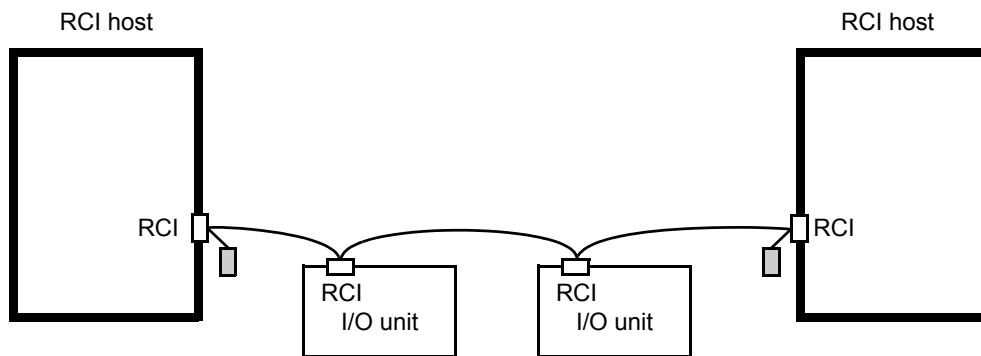
Use the repeater function of the external power controller to extend the cable length used and to increase the number of connected RCI units.

Note: The external power controller is included in the number of RCI units.

- Cluster configuration

Figure 1.2 shows a cluster connection pattern.

Figure 1.2 Cluster connections



Up to 32 RCI hosts can be connected.

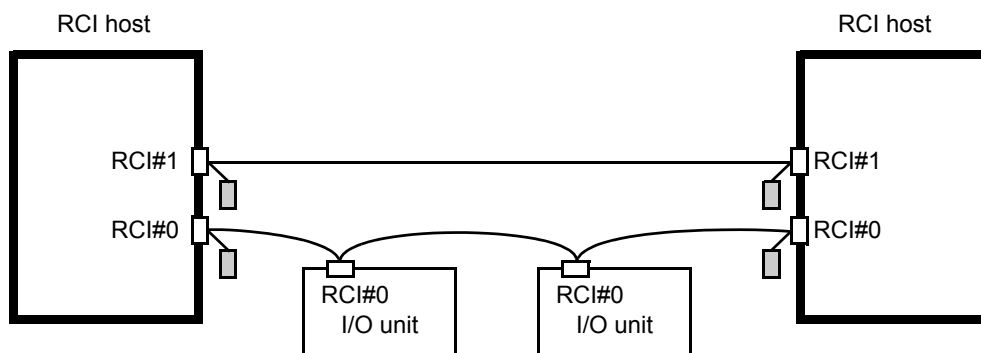
The cluster connection requirements, such as the maximum cable length and the number of connectable RCI I/O units, are the same as the basic configuration requirements.

Note: The repeater function of the external power controller cannot be used to increase the number of RCI hosts.

- Duplicated configuration

Figure 1.3 shows the connection pattern of a duplicated configuration.

Figure 1.3 Duplicated configuration

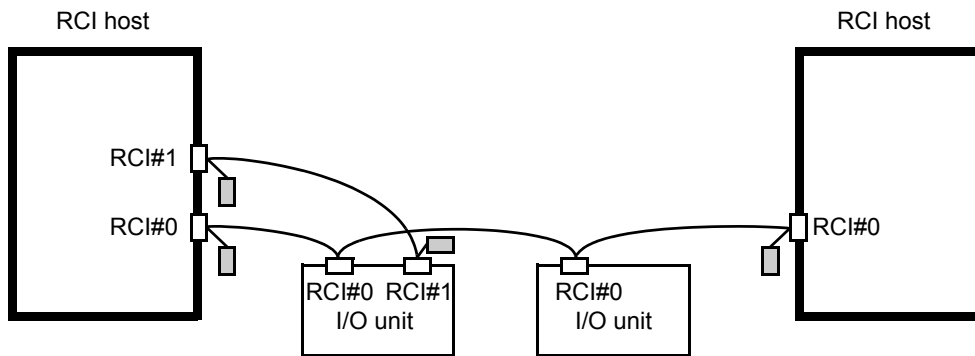


RCI hosts can be constructed in a duplicated configuration only if their XSCF units are in a redundant configuration (duplicated configuration).

Note: In case the XSCF unit is duplicated, connect RCI hosts or RCI I/O units to the same RCI network system. That is, connect the #0 system to the #0 one, and connect the #1 system to #1 one.

Figure 1.4 shows a connection pattern that connects both duplicated and unduplicated configurations.

Figure 1.4 Mixture of duplicated and unduplicated configurations



The pattern can contain RCI I/O units and RCI hosts that do not support a duplicated configuration.

Connect them to the duplicate system. Connect RCI hosts that do not support a duplicated configuration to the #0 system.

If an RCI host that does not support a duplicated configuration were already connected, RCI I/O units would be connected to the #0 system.

Note: When an RCI host of the duplicated configuration is connected with RCI hosts or RCI I/O units that do not support a duplicated configuration, it may fail to control the RCI host or the RCI I/O unit on the #0 system in the following case:

- When an XSCFU#0 failure generated an XSCF failover and the Active XSCF Unit switched to XSCFU#1.

In this case, maintenance work of XSCFU#0 becomes necessary.

CHAPTER 2 Setup of the RCI for Operation

This chapter describes setup information for use of the RCI.

2.1 Overview of RCI Setup

The RCI can be set up as follows.

Note: RCI setup as explained in this chapter is carried out by authorized service personnel.

- Prepare a serially-connected PC or a PC connected to the XSCF-LAN, specify its IP address, establish a connection to the XSCF, and use the XSCF Shell.

The RCI is configured in the following types of setup:

- [RCI Setup for Initial Installation](#)
- [RCI Setup for Addition of an RCI I/O Unit](#)
- [RCI Setup for Addition of an RCI Host](#)
- [RCI Setup for Replacement of an RCI I/O Unit](#)
- [RCI Setup for Replacement of an RCI Host](#)
- [RCI Setup for Deletion of an RCI I/O Unit](#)
- [RCI Setup for Deletion of an RCI Host](#)

Each setup for RCI configuration is explained in the following manner:

- | |
|---|
| <ol style="list-style-type: none">1 The explanation of each RCI setup begins with a description of the overall setup flow.2 Setup procedures are then explained with setting examples.<ul style="list-style-type: none">• For detailed explanations and details on options of XSCF Shell commands, see the man pages or, Chapter 3, "Command Reference."• This section does not explain in detail the connection between the XSCF and a PC or terminal and methods for logging in to the XSCF. For details, see the <i>XSCF User's Guide</i>. |
|---|

2.2 RCI Setup for Initial Installation

This section explains the procedure for initial RCI setup, which assumes RCI settings have not been configured.

Note: Perform this work when this system is not using any RCI I/O unit.

2.2.1 RCI Setup Flow

RCI setup for initial installation contains the following steps:

- 1 [Confirming RCI Initialization](#)
- 2 [Connecting RCI Cables](#)
- 3 [Making an RCI Address Setting](#)
- 4 [Making an RCI Configuration Setting](#)

2.2.2 Confirming RCI Initialization

Before connecting an RCI cable to an RCI host, confirm that RCI settings have been initialized.

- To confirm RCI initialization:

1. Execute the `setrci (8)` command to display the RCI status.

```
XSCF> setrci -c stat
HOST
  address 000f7fff
  Inactive
The command completed successfully.
```

Confirm that "address" is 000f7fff (initial address value).

If RCI settings have not been initialized, perform the next step.

2. Execute the `setrci (8)` command to initialize RCI settings.

```
XSCF> setrci -c init
The command completed successfully.
```

2.2.3 Connecting RCI Cables

Connect RCI cables.

Connect RCI units in sequence with RCI cables and their T-branch connectors.

Connect RCI terminating resistors to the T-branch connectors at both ends of a set of RCI connections.

2.2.4 Making an RCI Address Setting

Specify "000101ff" as the RCI address for the first RCI host.

The RCI address must be unique in duplicate RCI networks.

- To specify an RCI address:
- Execute the `setrci (8)` command, and specify an RCI address.

```
<Example> Specifying the RCI address 000101ff for the XSCF
XSCF> setrci -c set <1>
The command completed successfully.
```

- To confirm an RCI address:
- Execute the `setrci (8)` command to display the RCI status.

```
XSCF> setrci -c stat
HOST
  address 000101ff
  Inactive
The command completed successfully.
```

Confirm that the "address" value is correct.

To correct the RCI address, start again from RCI initialization.

2.2.5 Making an RCI Configuration Setting

Make an RCI network setting.

RCI addresses are automatically set for RCI I/O units connected through the RCI so that the units can use RCI functions.

Note: Before beginning this RCI setup work, confirm that power cords are connected to all RCI units.

Note: To make an RCI configuration setting for an RCI unit equipped with a main line switch, set the main line switch to the ON position.

- To make an RCI configuration setting:
- Execute the `setrci (8)` command, and make an RCI configuration setting.

```
XSCF> setrci -c initconfig
.....
The command completed successfully.
```

- To confirm an RCI configuration setting:
- Execute the `setrci (8)` command to display the RCI status.

```
XSCF> setrci -c stat
HOST
  address 000101ff
  Active
LIST
  address  pwr  alm I/F  sys-phase  ctgry  dev-cls  sub-cls  tm-out
  000101ff OFF  -   ACT  -           host  0001    0b     -
The command completed successfully.
```

Confirm that the displayed LIST contents include the connected RCI unit.

For details on LIST contents, see [Chapter 3, "Command Reference."](#)

2.3 RCI Setup for Addition of an RCI I/O Unit

This section explains the setup procedure for adding an RCI I/O unit to this system for which RCI setup for initial installation has already been completed.

This work can be performed while an existing domain is running.

2.3.1 RCI Setup Flow

RCI setup for addition of an RCI I/O unit contains the following steps:

- 1 [Connecting an RCI Cable](#)
- 2 [Making an RCI Addition Setting](#)

2.3.2 Connecting an RCI Cable

1. Insert a T-branch connector and an RCI cable into the existing set of connections of RCI cables.
2. Connect the T-branch connector to the RCI I/O unit to be added.

2.3.3 Making an RCI Addition Setting

The added RCI I/O unit must be connected to the RCI network.

An RCI address is automatically set for the added RCI I/O unit so that the unit can use RCI functions.

An RCI addition setting can be made only once from an arbitrary RCI host.

Note: Before beginning this RCI setup work, confirm that power cords are connected to all RCI units.

Note: To make an RCI addition setting for an RCI unit equipped with a main line switch, set the main line switch to the ON position.

- To make an RCI addition setting:
- Execute the `setrci (8)` command, and make an RCI addition setting.

```
XSCF> setrci -c addconfig
.....
The command completed successfully.
```

- To confirm an RCI addition setting:
- Execute the `setrci (8)` command to display the RCI status.

```
XSCF> setrci -c stat
HOST
  address 000101ff
  Active
LIST
  address  pwr  alm  I/F  sys-phase  ctgry  dev-cls  sub-cls  tm-out
  000101ff OFF  -   ACT   -           host   0001   0b     -
  003001ff OFF  -   ACT   -           disk   0400   04     -
The command completed successfully.
```

Confirm that the displayed LIST contents include the connected RCI I/O unit.
For details on LIST contents, see [Chapter 3, "Command Reference."](#)

2.4 RCI Setup for Addition of an RCI Host

2.4.1 RCI Setup Flow

RCI setup for addition of an RCI host contains the following steps:

- 1 [Confirming RCI Initialization](#)
- 2 [Connecting an RCI Cable](#)
- 3 [Making an RCI Address Setting](#)
- 4 [Making an RCI Addition Setting](#)

2.4.2 Confirming RCI Initialization

Before connecting an RCI cable to an RCI host, confirm that RCI settings have been initialized.

- To confirm RCI initialization:

1. Execute the `setrci (8)` command to display the RCI status.

```
XSCF> setrci -c stat
HOST
  address 000f7fff
  Inactive
The command completed successfully.
```

Confirm that "address" is 000f7fff (initial address value).

If RCI settings have not been initialized, perform the next step.

2. Execute the `setrci (8)` command to initialize RCI settings.

```
XSCF> setrci -c init
The command completed successfully.
```

2.4.3 Connecting an RCI Cable

Connect an RCI cable to the RCI host to be added.

1. Insert a T-branch connector and an RCI cable into the existing set of connections of RCI cables.
2. Connect the T-branch connector to the RCI host to be added.

Note: Always do [Confirming RCI Initialization](#) before connecting an RCI cable to the RCI host.

2.4.4 Making an RCI Address Setting

Specify an RCI addresses in a range of 000102ff to 000120ff for the RCI host to be added.

The RCI address must be unique in the existing RCI network.

RCI addresses must be assigned in the order of 000102ff, 000103ff, 000104ff, and so on.

Specify the RCI address on the RCI host to be added.

- To specify an RCI address:
- Execute the `setrci (8)` command, and specify an RCI address.

```
<Example> Specifying the RCI address 000102ff for the XSCF
XSCF> setrci -c set <2>
The command completed successfully.
```

Specify a decimal number for the fifth and sixth digits of the target RCI address.
A decimal number in a range of 1 to 32 can be used.

- To confirm the specified RCI address:
- Execute the `setrci (8)` command to display the RCI status.

```
XSCF> setrci -c stat
HOST
  address 000102ff
  Inactive
The command completed successfully.
```

Confirm that the "address" value is correct.
To correct the RCI address, start again from RCI initialization.

2.4.5 Making an RCI Addition Setting

The added RCI host must be connected to the RCI network.

The RCI address of the added RCI host is synchronized with those of existing RCI hosts so that the added cabinet can use RCI functions.

Make an RCI addition setting on the added RCI host.

Note: Before beginning this RCI setup work, confirm that power cords are connected to all RCI units.

Note: To make an RCI addition setting for an RCI unit equipped with a main line switch, set the main line switch to the ON position.

- To make an RCI addition setting:
- Execute the `setrci (8)` command, and make an RCI addition setting.

```
XSCF> setrci -c addconfig
.....
The command completed successfully.
```

- To confirm an RCI addition setting:
- Execute the `setrci (8)` command to display the RCI status.

```
XSCF> setrci -c stat
HOST
  address 000102ff
  Active
LIST
address  pwr alm I/F  sys-phase  tgry dev-cls  sub-cls  tm-out
000101ff OFF -  ACT   -           host  0001   0b     -
000102ff OFF -  ACT   -           host  0001   0b     -
003001ff OFF -  ACT   -           disk  0400   04     -
The command completed successfully.
```

Confirm that the displayed LIST contents include the added RCI host.

For details on LIST contents, see [Chapter 3, "Command Reference."](#)

2.5 RCI Setup for Replacement of an RCI I/O Unit

2.5.1 RCI Setup Flow

RCI setup for replacement of an RCI I/O unit contains the following steps:

- 1 [Confirming an RCI Address](#)
- 2 [Replacing an RCI I/O Unit](#)
- 3 [Making an RCI Replacement Setting](#)

Note: Perform this RCI setup work for each RCI I/O unit to be replaced.

2.5.2 Confirming an RCI Address

Confirm the RCI address or location of the RCI I/O unit to be replaced.

- To confirm an RCI address:
 - 1.** Push the service pin of the RCI I/O unit to be replaced.
 - 2.** Execute the `setrci (8)` command to display the address of the RCI I/O unit whose service pin is pushed.

```
XSCF> setrci -c idpin
RCI:XXXX VER:XX DATE:XXXX XX/XX XX:XX;XX
The command completed successfully.
```

If the RCI I/O unit to be replaced has failed and cannot make a transmission, its RCI address cannot be confirmed by the above operation. Perform the following operation to confirm the RCI address.

- 3.** Execute the `setrci (8)` command to display a list of connected RCI units.

```
XSCF> setrci -c stat
HOST
  address 000102ff
  Active
LIST
  address  pwr  alm  I/F   sys-phase  tgr  dev-cls  sub-cls  tm-out
  000101ff OFF  -   ACT    -           host  0001    0b      -
  003001ff OFF  -   ACT    -           disk  0400    04      -
  003002ff OFF  -  INACT  -           disk  0400    04      -
  003003ff OFF  -   ACT    -           disk  0400    04      -
The command completed successfully.
```

On the list, "INACT" is displayed in the "I/F" column of the RCI I/O unit that cannot make a transmission to the RCI.

- To confirm the location of an RCI I/O unit:

If the RCI address of the target RCI I/O unit is already known, such as because of an error message, the location of the RCI I/O unit can be confirmed by specifying its RCI address and triggering blinking of its LED.

1. Execute the `setrci (8)` command to trigger blinking of the LED of the RCI I/O unit at the specified RCI address.

```
<Example> Specifying the RCI address 003002ff
XSCF> setrci -c ledon <003002ff>
.....
The command completed successfully.
```

2. Locate the RCI I/O unit whose LED is blinking.
3. Execute the `setrci (8)` command to stop the blinking LED of the RCI I/O unit.

```
XSCF> setrci -c ledoff
The command completed successfully.
```

2.5.3 Replacing an RCI I/O Unit

Remove the T-branch connector together with the RCI cables from the RCI I/O unit to be replaced. Replace the RCI I/O unit, and connect the T-branch connector and RCI cables to the new RCI I/O unit.

2.5.4 Making an RCI Replacement Setting

The added RCI I/O unit must be connected to the RCI network.

The RCI address of the added RCI I/O unit is synchronized with that of an existing RCI host so that the unit can use RCI functions.

An RCI replacement setting can be made only once from an arbitrary RCI host.

Note: Before beginning this RCI setup work, confirm that power cords are connected to all RCI units.

Note: To make an RCI replacement setting for an RCI unit equipped with a main line switch, set the main line switch to the ON position.

- To make an RCI replacement setting:
- Execute the `setrci (8)` command, and make an RCI replacement setting.

```
<Example> Replacing the RCI I/O unit at the RCI address 003002ff
XSCF> setrci -c replaceconfig <003002ff>
.....
The command completed successfully.
```

In `<address>`, specify the RCI address (eight-digit hexadecimal number) obtained by RCI address confirmation.

- To confirm an RCI replacement setting:
- Execute the `setrci (8)` command to display the RCI status.

```
XSCF> setrci -c stat
HOST
  address 000102ff
  Active
LIST
  address  pwr  alm  I/F  sys-phase  ctgry  dev-cls  sub-cls  tm-out
  000101ff OFF  -   ACT  -           host   0001    0b      -
  003001ff OFF  -   ACT  -           disk   0400    04      -
  003002ff OFF  -   ACT  -           disk   0400    04      -
  003003ff OFF  -   ACT  -           disk   0400    04      -
The command completed successfully.
```

On the list, confirm that "ACT" is displayed in the "I/F" column of the RCI I/O unit at the RCI address specified for the RCI replacement setting.

2.6 RCI Setup for Replacement of an RCI Host

2.6.1 RCI Setup Flow

RCI setup for replacement of an RCI host contains the following steps:

- 1 [Replacing an RCI Host](#)
- 2 [Confirming RCI Initialization](#)
- 3 [Connecting an RCI Cable](#)
- 4 [Making an RCI Address Setting](#)

5 Making an RCI Replacement Setting

Note: Perform this RCI setup work for each RCI host to be replaced.

2.6.2 Replacing an RCI Host

Remove the T-branch connector together with the RCI cable from the RCI host to be replaced, and replace the RCI host with a new one.

Do not connect the removed T-branch connector to the new RCI host at this time.

2.6.3 Confirming RCI Initialization

Before connecting an RCI cable again to a new RCI host, confirm that RCI settings have been initialized.

- To confirm RCI initialization:

1. Execute the `setrci (8)` command to display the RCI status.

```
XSCF> setrci -c stat
HOST
  address 000f7fff
  Inactive
The command completed successfully.
```

Confirm that the "address" value is 000f7fff (initial address value).

If RCI settings have not been initialized, perform the next step.

2. Execute the `setrci (8)` command to initialize RCI settings.

```
XSCF> setrci -c init
The command completed successfully.
```

2.6.4 Connecting an RCI Cable

Connect the removed T-branch connector together with the RCI cable to the new RCI host.

Note: Always do [Confirming RCI Initialization](#) before reconnecting the RCI cable to the RCI host.

2.6.5 Making an RCI Address Setting

Assign an RCI address to the new RCI host after replacement.

Make an RCI address setting on the new RCI host.

IMPORTANT

- ▶ Specify the same RCI address as that assigned to the old RCI host.

- To specify an RCI address:
- Execute the `setrci (8)` command, and specify an RCI address.

```
<Example> Specifying the RCI address 000102ff for the XSCF
XSCF> setrci -c set <2>
The command completed successfully.
```

Specify a decimal number for the fifth and sixth digits of the target RCI address. A decimal number in a range of 1 to 32 can be used.

- To confirm the specified RCI address:
- Execute the `setrci (8)` command to display the RCI status.

```
XSCF> setrci -c stat
HOST
  address 000102ff
  Inactive
The command completed successfully.
```

Confirm that the "address" value is correct.

To correct the RCI address, start again from RCI initialization.

2.6.6 Making an RCI Replacement Setting

The new RCI host must be connected to the RCI network.

The RCI address of the new RCI host is synchronized with those of existing RCI hosts so that the new cabinet can use RCI functions.

An RCI replacement setting can be made on the new RCI host.

Note: Before beginning this RCI setup work, confirm that power cords are connected to all RCI units.

Note: To make an RCI replacement setting for an RCI unit equipped with a main line switch, set the main line switch to the ON position.

- To make an RCI replacement setting:
- Execute the `setrci (8)` command, and make an RCI replacement setting.

```
XSCF> setrci -c replaceconfig
.....
The command completed successfully.
```

- To confirm an RCI replacement setting:
- Execute the `setrci (8)` command to display the RCI status.

```
XSCF> setrci -c stat
HOST
  address 000102ff
  Active
LIST
  address  pwr  alm I/F  sys-phase  ctgry dev-cls  sub-cls  tm-out
  000101ff OFF  -   ACT   -           host  0001    0b     -
  000102ff OFF  -   ACT   -           host  0001    0b     -
  003001ff OFF  -   ACT   -           disk  0400    04     -
The command completed successfully.
```

Confirm that the displayed LIST contents include the replacement RCI host.

For details on LIST contents, see [Chapter 3, "Command Reference."](#)

2.7 RCI Setup for Deletion of an RCI I/O Unit

2.7.1 RCI Setup Flow

RCI setup for deletion of an RCI I/O unit contains the following steps:

- 1 [Confirming an RCI Address](#)
- 2 [Initializing RCI Hosts](#)
- 3 [Deleting an RCI I/O Unit](#)
- 4 [Making an RCI Address Setting](#)

5 Making an RCI Deletion Setting

Note: Initialize each RCI host when you setup the RCI for deletion of an RCI I/O unit. Specify the same RCI address as that assigned to the old RCI host.

2.7.2 Confirming an RCI Address

Confirm the RCI address or location of the RCI I/O unit to be deleted.

- To confirm an RCI address:
 1. Push the service pin of the RCI I/O unit to be deleted.
 2. Execute the `setrci (8)` command to display the address of the RCI I/O unit whose service pin is pushed.

```
XSCF> setrci -c idpin
RCI:XXXX VER:XX DATE:XXXX XX/XX XX:XX;XX
The command completed successfully.
```

If the RCI I/O unit to be deleted has failed and cannot make a transmission, its RCI address cannot be confirmed by the above operation. Perform the following operation to confirm the RCI address.

3. Execute the `setrci (8)` command to display a list of connected RCI units.

```
XSCF> setrci -c stat
HOST
address 000101ff
Active
LIST
address  pwr  alm  I/F  sys-phase  tgry  dev-cls  sub-cls  tm-out
000101ff OFF  -   ACT   -           host  0001    0b      -
003001ff OFF  -  INACT -           disk  0400    04      -
003002ff OFF  -   ACT   -           disk  0400    04      -
The command completed successfully.
```

On the list, "INACT" is displayed in the "I/F" column of the RCI I/O unit that cannot make a transmission to the RCI.

- To confirm the location of an RCI I/O unit:

If the RCI address of the target RCI I/O unit is already known, such as because of an error message, the location of the RCI I/O unit can be confirmed by specifying its RCI address and triggering blinking of its LED.

1. Execute the `setrci (8)` command to trigger blinking of the LED of the RCI I/O unit at the specified RCI address.

```
<Example> Specifying the RCI address 003001ff
XSCF> setrci -c ledon <003001ff>
.....
The command completed successfully.
```

2. Locate the RCI I/O unit whose LED is blinking.
3. Execute the `setrci (8)` command to stop the blinking LED of the RCI I/O unit.

```
XSCF> setrci -c ledoff
The command completed successfully.
```

2.7.3 Initializing RCI Hosts

Initialize the RCI setting for each RCI host. To initialize the RCI setting, all domains must be powered off.

- To initialize RCI settings:
- Execute the `setrci (8)` command to initialize RCI settings.

```
XSCF> setrci -c init
The command completed successfully.
```

- To confirm RCI initialization:
- Execute the `setrci (8)` command to display the RCI status.

```
XSCF> setrci -c stat
HOST
  address 000f7fff
  Inactive
The command completed successfully.
```

Confirm that the "address" value is 000f7fff (initial address value).

2.7.4 Deleting an RCI I/O Unit

Remove the T-branch connector together with the RCI cables from the RCI I/O unit to be deleted. To connect RCI units in sequence with RCI cables, remove the extra T-branch connectors and RCI cables.

2.7.5 Making an RCI Address Setting

Specify an RCI addresses in a range of 000101ff to 000120ff for the RCI host to be initialized.

Each RCI address for RCI hosts must be assigned in ascending order of address.

IMPORTANT

- ▶ Specify the same RCI address as that assigned to the old RCI host.

- To specify an RCI address:
- Execute the `setrci (8)` command, and specify an RCI address.

```
<Example> Specifying the RCI address 000101ff for the XSCF
XSCF> setrci -c set <1>
The command completed successfully.
```

Specify a decimal number for the fifth and sixth digits of the target RCI address. A decimal number in a range of 1 to 32 can be used.

- To confirm the specified RCI address:
- Execute the `setrci (8)` command to display the RCI status.

```
XSCF> setrci -c stat
HOST
  address 000101ff
  Inactive
The command completed successfully.
```

Confirm that the "address" value is correct.

To correct the RCI address, start again from RCI initialization.

2.7.6 Making an RCI Deletion Setting

After deletion the RCI I/O unit, the RCI I/O units connected by RCI cables must be connected to the RCI network.

Each RCI address for RCI hosts must be assigned in ascending order of address.

RCI addresses are automatically set for RCI I/O units connected through the RCI so that the units can use RCI functions.

Note: Before beginning this RCI setup work, confirm that power cords are connected to all RCI units.

Note: To make an RCI deletion setting for an RCI unit equipped with a main line switch, set the main line switch to the ON position.

- To make an RCI deletion setting:
- Execute the `setrci (8)` command with the `addconfig` option, and make an RCI deletion setting.

```
XSCF> setrci -c addconfig
.....
The command completed successfully.
```

You can make the RCI deletion setting without changing the addresses of RCI I/O units by using the `addconfig` option.

- To confirm an RCI deletion setting:
- Execute the `setrci (8)` command to display the RCI status.

```
XSCF> setrci -c stat
HOST
  address 000101ff
  Active
LIST
  address  pwr alm I/F  sys-phase  ctgry dev-cls sub-cls tm-out
  000101ff OFF -  ACT   -           host  0001  0b    -
  003002ff OFF -  ACT   -           disk  0400  04    -
The command completed successfully.
```

Confirm that the displayed LIST contents don't include the deleted RCI I/O unit.

2.8 RCI Setup for Deletion of an RCI Host

2.8.1 RCI Setup Flow

RCI setup for deletion of an RCI host contains the following steps:

- 1 [Confirming an RCI Address](#)
- 2 [Initializing RCI Hosts](#)
- 3 [Deleting an RCI Host](#)
- 4 [Making an RCI Address Setting](#)
- 5 [Making an RCI Deletion Setting](#)

Note: Initialize each RCI host when you setup the RCI for deletion of an RCI host. Specify the same RCI address as that assigned to the old RCI host. When you delete the RCI host that is configured with the cluster software, change the setting of the cluster software according to the manual of the cluster software before the RCI settings.

2.8.2 Confirming an RCI Address

Confirm the RCI address of the RCI host to be deleted.

- To confirm an RCI address:
- Execute the `setrci (8)` command to display a list of connected RCI units.

```
XSCF> setrci -c stat
HOST
  address 000101ff
  Active
LIST
  address  pwr  alm  I/F  sys-phase  tgry  dev-cls  sub-cls  tm-out
  000101ff OFF  -   ACT   -           host  0001    0b      -
  000102ff OFF  -   ACT   -           host  0001    0b      -
  000103ff OFF  -   ACT   -           host  0001    0b      -
  003001ff OFF  -  INACT -           disk  0400    04      -
The command completed successfully.
```

Confirm that the displayed LIST contents include the RCI host which will be deleted. (Example: 000102ff)

2.8.3 Initializing RCI Hosts

Initialize the RCI setting for each RCI host. To initialize the RCI setting, all domains must be powered off.

- To initialize RCI settings:
- Execute the `setrci (8)` command to initialize RCI settings.

```
XSCF> setrci -c init
The command completed successfully.
```

- To confirm RCI initialization:
- Execute the `setrci (8)` command to display the RCI status.

```
XSCF> setrci -c stat
HOST
  address 000f7fff
  Inactive
The command completed successfully.
```

Confirm that the "address" value is 000f7fff (initial address value).

2.8.4 Deleting an RCI Host

Remove the T-branch connector together with the RCI cable from the RCI host to be replaced. To connect RCI units in sequence with RCI cables, remove the extra T-branch connectors and RCI cables.

2.8.5 Making an RCI Address Setting

Specify an RCI addresses in a range of 000101ff to 000120ff for the RCI host to be initialized.

Each RCI address for RCI hosts must be assigned in ascending order of address.

IMPORTANT

- ▶ Specify the same RCI address as that assigned to the old RCI host.

- To specify an RCI address:
- Execute the `setrci (8)` command, and specify an RCI address.

```
<Example> Specifying the RCI address 000101ff for the XSCF
XSCF> setrci -c set <1>
The command completed successfully.
```

Specify a decimal number for the fifth and sixth digits of the target RCI address.
A decimal number in a range of 1 to 32 can be used.

- To confirm the specified RCI address:
- Execute the `setrci (8)` command to display the RCI status.

```
XSCF> setrci -c stat
HOST
  address 000101ff
  Inactive
The command completed successfully.
```

Confirm that the "address" value is correct.

To correct the RCI address, start again from RCI initialization.

2.8.6 Making an RCI Deletion Setting

After deletion the RCI host, the RCI hosts connected by RCI cables must be connected to the RCI network.

Each RCI address for RCI hosts must be assigned in ascending order of address.

RCI addresses are automatically set for RCI I/O units connected through the RCI so that the RCI hosts and the RCI I/O units can use RCI functions.

Note: Before beginning this RCI setup work, confirm that power cords are connected to all RCI units.

Note: To make an RCI deletion setting for an RCI unit equipped with a main line switch, set the main line switch to the ON position.

- To make an RCI replacement setting:
- Execute the `setrci (8)` command with the `addconfig` option, and make an RCI deletion setting.

```
XSCF> setrci -c addconfig
.....
The command completed successfully.
```

You can make the RCI deletion setting without changing the addresses of RCI I/O units by using the `addconfig` option.

- To confirm an RCI deletion setting:
- Execute the `setrci (8)` command to display the RCI status.

```
XSCF> setrci -c stat
HOST
  address 000101ff
  Active
LIST
  address  pwr  alm I/F  sys-phase  ctgry dev-cls  sub-cls  tm-out
  000101ff OFF  -   ACT   -           host  0001    0b     -
  000103ff OFF  -   ACT   -           host  0001    0b     -
  003001ff OFF  -   ACT   -           disk  0400    04     -
The command completed successfully.
```

Confirm that the displayed LIST contents don't include the deleted RCI host.

(Example: "000102ff" is not displayed.)

For details on LIST contents, see [Chapter 3, "Command Reference."](#)

CHAPTER 3 Command Reference

3.1 setrci

- NAME

setrci - configure or display the environment of the remote cabinet interface (RCI)

- SYNOPSIS

setrci -c stat

setrci -c init [-s *RCI_network*]

setrci -c set *host_no*

setrci -c initconfig [-s *RCI_network*]

setrci -c addconfig [-s *RCI_network*]

setrci -c replaceconfig [*RCI_address*]

setrci -c ledon *RCI_address*

setrci -c ledoff

setrci -c idpin

setrci -h

- DESCRIPTION

The setrci(8) command configures or displays information that accompanies the initial setting and maintenance of the RCI environment.

The following can be set or displayed:

Item	Description
stat	Displays the status of the RCI network.
init	Initializes the RCI setting. Initialization is only performed for the host that executes the command. If there are other hosts connecting to the RCI, initialization must be performed for each host.
set	Sets an RCI address. Use this specification when the RCI setting has been initialized. After the setting, "-c initconfig" or "-c addconfig" must be executed.

Item	Description
initconfig	<p>Makes the RCI setting on the first host. An RCI I/O unit connected via RCI is searched for and found, and then an RCI address is assigned.</p> <p>To delete an RCI I/O unit or host also, the RCI setting will be made on the first host. At this time, in order to keep the RCI I/O unit address unchanged, "-c addconfig" instead of this option must be executed.</p>
addconfig	<p>Adds an RCI I/O unit or host.</p> <p>When an RCI I/O unit is added, the RCI I/O unit newly connected to RCI is searched for and found, and then an RCI address is assigned.</p> <p>When a host is added, it is also added to the RCI network. "-c set" must be executed beforehand on the added host to set the RCI address for the host.</p> <p>In addition, to delete an RCI I/O unit or host and to make the RCI setting on the first host, use this option. Using this option, the RCI setting can be made without changing the address of the RCI I/O unit.</p> <p>You need to initialize the RCI setting, delete the unit, and execute "-c set" beforehand to reconfigure the original RCI address.</p>
replaceconfig	<p>Replaces an RCI I/O unit or host.</p> <p>When an RCI I/O unit is replaced, the specified RCI address is assigned to the substitute RCI I/O unit.</p> <p>When a host is replaced, a substitute host is added to the RCI network after the information of the host to be replaced is deleted from the RCI network. "-c set" must be executed beforehand on the substitute host to set the RCI address for the host. An RCI address cannot be specified when replacing a host.</p>
ledoff	<p>Stops the blinking CHECK LED of an RCI I/O unit. This specification is used such as when the work for identifying an RCI I/O unit is completed.</p>
idpin	<p>Displays the RCI address of the RCI I/O unit whose ID-PIN has been pressed. This specification is used when checking the RCI address of an RCI I/O unit.</p>

- **PRIVILEGES**

You must have platadm or fieldeng privileges to run this command.

See setprivileges(8) for more information.

- **OPTIONS**

The following options are supported:

Option	Description	
-c stat	Displays the status of the <i>RCI network</i> .	
-c init	Initializes the RCI setting.	
-c set <i>host_no</i>	Sets the address specified by <i>host_no</i> for the RCI address. An integer number ranging from 0 to 32 must be specified for <i>host_no</i> . The specification of one address cannot be duplicated among hosts connected to RCI. In addition, addresses must be assigned sequentially starting from 1. "-c set" must be executed in the state where initialization has been completed by "-c init".	
-c initconfig	Make the RCI setting at initial setting. "-c initconfig" must be executed when the RCI setting has been initialized by "-c init" and the RCI address has been set by "-c set".	
-c addconfig	Makes the RCI setting for when an RCI I/O unit or host is added.	
-c replaceconfig	Makes the RCI setting for when an RCI I/O unit or host is replaced.	
-c ledon	Makes the CHECK LED of an RCI I/O unit blink.	
-c ledoff	Stops the blinking CHECK LED of an RCI I/O unit.	
-c idpin	Displays the RCI address of the RCI I/O unit whose ID-PIN has been pressed.	
-h	Displays usage statement. When used with other options or operands, an error occurs.	
-s <i>RCI_network</i>	Specifies an RCI network. Either of the networks shown below can be specified for <i>RCI_network</i> . The specification must be made together with "-c init", "-c initconfig" and "-c addconfig".	
	RCI-0	Specifies the RCI network on the #0 side.
	RCI-1	Specifies the RCI network on the #1 side

- **OPERANDS**

The following operands are supported:

Operand	Description
<i>RCI_address</i>	Specifies a target RCI address. A value in any of the following ranges can be specified for <i>RCI_address</i> :
	003001ff-00307fff
	007001ff-00707fff
	002001ff-00207fff
	006001ff-00607fff

- EXTENDED DESCRIPTION

- When "-c stat" is specified, the following states are displayed:

Item	Description	
RCI-x	RCI network name.	
address	RCI address. It is displayed as an eight-digit hexadecimal number. When the RCI address of the host has not been set, the default value (00ff7fff) is displayed.	
Active/Inactive	RCI state. Inactive means that the RCI is in the initial state, and Active means that the RCI setting has been made.	
	Inactive	The RCI is in the initial state.
	Active	The RCI setting has been made.
Mainte	The mode switch is Service state.	

- When the RCI state is Active, the following information is displayed after List:

Item	Description	
address	The address of the connected RCI unit.	
pwr	Power state of the RCI unit.	
	ON	Powered on.
	OFF	Powered off.
alm	Alarm state of the RCI unit.	
	-	Normal state.
	ALM	Alarm state.
	WRN	Warning state.
I/F	RCI unit interface status.	
	ACT	Valid state.
	INACT	Invalid state.
sys-phase	Operating state of the host connected to RCI. One of the following is displayed:	
	power-off	Powered off.
	panic	In the panic state.
	shdwn-start	Shutdown in progress.
	shdwn-cmplt	Shutdown has completed.
	dump-cmplt	Dump has completed.
	booting	System being started.
	running	System in operation.
	-	Not support the status display.

Item	Description	
ctgry	Category of the RCI unit. One of the following is displayed:	
	host	Host unit.
	disk	File unit.
	rcic	External power control device.
	linesw	Line switch.
	Other	Other devices.
dev-cls	Device class of the RCI unit.	
sub-cls	Subdevice class of the RCI unit.	
tm-out	Idle monitoring timeout period of RCI. Since it doesn't support the status display, "-" is always displayed.	
<ul style="list-style-type: none"> • "-c init" needs to be executed in the system power-off status. • "When -c initconfig", "-c addconfig", or "-c replaceconfig" is being executed, or the setrcic(8) command is being executed, do not execute the setrci(8) command on another host. • When the setrci(8) command is executed, set all RCI units that are connected to RCI into the power-on state or standby state. • Executing the setrci(8) command on a model that does not support the RCI function causes an error to occur. 		

• EXAMPLES

EXAMPLE 1: Makes the first RCI setting on the first host in an M3000/M4000/M5000 server.

```
XSCF> setrci -c init
RCI-0
.....
The command completed successfully.
RCI-1
.....
The command completed successfully.
XSCF> setrci -c set 1
RCI-0
.....
The command completed successfully.
RCI-1
.....
The command completed successfully.
XSCF> setrci -c initconfig
RCI-0
.....
The command completed successfully.
RCI-1
.....
The command completed successfully.
XSCF> setrci -c stat
RCI-0

HOST
  address 000101ff
  Active
LIST
  address  pwr alm I/F  sys-phase ctgry  dev-cls  sub-cls tm-out
  000101ff ON  -  ACT  -          host   0001    0b    -
  003001ff ON  -  ACT  -          disk   0400   10s    -

The command completed successfully.
RCI-1

HOST
  address 004101ff
  Active
LIST
  address  pwr alm I/F  sys-phase ctgry  dev-cls  sub-cls tm-out
  004101ff ON  -  ACT  -          host   0001    0b    -

The command completed successfully.
```

EXAMPLE 2: Makes the first RCI setting on the first host in an M8000/M9000 server.

```
XSCF> setrci -c init
.....
The command completed successfully.
XSCF> setrci -c set 1
.....
The command completed successfully.
XSCF> setrci -c initconfig
.....
The command completed successfully.
XSCF> setrci -c stat
RCI-0

HOST
  address 000101ff
  Active
LIST
  address  pwr  alm  I/F  sys-phase  ctgry  dev-cls  sub-cls  tm-out
  000101ff ON   -   ACT   -           host   0001    0b     -
  003001ff ON   -   ACT   -           disk   0400   10s    -

The command completed successfully.
```

- EXIT STATUS

The following exit values are returned:

Value	Description
0	Successful completion.
>0	An error occurred.

3.2 setrcic

- NAME

setrcic - make the setting of an external power control device or display its status.

- SYNOPSIS

```
setrcic -c exrdy RCI_address [time]
```

```
setrcic -c opcalldisp RCI_address
```

```
setrcic -c opcallon RCI_address callNo
```

```
setrcic -c opcalloff RCI_address callNo
```

```
setrcic -h
```

- DESCRIPTION

The setrcic(8) command makes the setting of an external power control device or displays its status.

The following can be set or displayed: Multiple items cannot be set at a time.

Item	Description
exrdy	Sets or displays the EXRDY monitoring timeout periods of the specified external power control devices. If the setting is inconsistent with the external equipment wait time, an error occurs.
opcalldisp	Displays the status of the operator call signal of the specified external power control devices.
opcallon	Sets the operator call signals of the specified external power control devices on.
opcalloff	Sets the operator call signals of the specified external power control devices off.

- PRIVILEGES

You must have platadm or fieldeng privileges to run this command.

See setprivileges(8) for more information.

- **OPTIONS**

The following options are supported:

Option	Description
-c exrdy <i>RCI_address</i> <i>[time]</i>	Sets the EXRDY monitoring timeout period of the specified external power control devices. Set the EXRDY monitoring timeout period in units of minutes for <i>time</i> . If 0 is specified, EXRDY monitoring is disabled. If <i>time</i> is omitted, the EXRDY monitoring timeout period is displayed.
-c opcalldisp	Displays the status of the operator call signals of the specified external power control devices.
-c opcallon <i>RCI_address</i> <i>callNo</i>	Sets the operator call signals of the specified external power control devices on. Setting is made for the devices corresponding to the bits of <i>callNo</i> that contain "1".
-c opcalloff <i>RCI_address</i> <i>callNo</i>	Sets the operator call signals of the specified external power control devices off. Setting is made for the devices corresponding to the bits of <i>callNo</i> that contain "1".
-h	Displays usage statement. When used with other options or operands, an error occurs.

- **OPERANDS**

The following operands are supported:

Operand	Description
<i>RCI_address</i>	Specifies a target RCI address. A value in any of the following ranges can be specified for <i>RCI_address</i> : 003001ff-00307fff 007001ff-00707fff
<i>time</i>	Sets the EXRDY monitoring timeout period when "-c exrdy" is specified in units of minutes. Any decimal integer number ranging from 0 to 85 can be specified.
<i>callNo</i>	Specifies operator call information. A two-digit hexadecimal number can be specified.

- **EXTENDED DESCRIPTION**

- When the setrci(8) command or setrcic(8) command is being executed on another host in the RCI network, do not execute the setrcic(8) command.
- When the setrcic(8) command is executed, set all RCI units that are connected to RCI into the power-on state or standby state.
- Executing the setrcic(8) command on a model that does not support the RCI function causes an error to occur.

- **EXAMPLES**

Makes the setting of external power control.

```
XSCF> setrcic -c exrdy 003001ff 10
```

The command completed successfully.

```
XSCF> setrcic -c exrdy 003001ff  
address:003001ff exrdy:10 min
```

The command completed successfully.

```
XSCF> setrcic -c opcallon 003001ff 0c
```

The command completed successfully.

```
XSCF> setrcic -c opcalldisp 003001ff  
address:003001ff callNo:0c
```

The command completed successfully.

```
XSCF> setrcic -c opcalloff 003001ff 0c
```

The command completed successfully.

```
XSCF> setrcic -c opcalldisp 003001ff  
address:003001ff callNo:00
```

The command completed successfully.

- **EXIT STATUS**

The following exit values are returned:

Value	Description
0	Successful completion.
>0	An error occurred.

CHAPTER 4 Error Status

4.1 setrci Error Status

When the RCI build by the setrci (8) command ends abnormally and "Operation failed error status: XX" is displayed, the displayed error status code and explanation are described to the following table.

Table 4.1 The setrci error status

Code	Explanation
00	Detected the duplicate RCI address.
01	RCI address of current unit is not configured or false.
02	Detected the duplicate RCI address of RCI host, or detected the undefined RCI address.
03	RCI address of current unit is not configured.
04	Over maximum entry of RCI table.
05	Detected anomaly in RCI table receiving.
06	Detected anomaly in RCI table sending.
07	Receiving status check from undefined RCI device.
08	Detected the loss of RCI master.
09	Detected anomaly of RCI table.
0a	Synchronous time out of RCI table.
0b	Synchronous retry out of RCI table.
0c	Detected anomaly of RCI table.
0d	Failed the version check of RCI table.
0e	Detected anomaly of RCI table.
0f	Detected anomaly in synchronous with RCI Neuron chip.
20	Detected the duplicate RCI address in RCI I/O unit (Expansion file unit, External power controller).
30	Detected the duplicate RCI address in RCI I/O unit (Line selector switch).
fd	RCI cannot be constructed, or it was cancelled.
fe	Other RCI unit is constructing the RCI network.
ff	RCI setup procedure is false.

4.2 setrcic Error Status

When the RCI build by the setrcic (8) command ends abnormally and "Operation failed error status: XX" is displayed, the displayed error status code and explanation are described to the following table.

Table 4.2 The setrcic error status

Code	Explanation
-1	Detected an RCI transmission error.
-2	Terminated the command execution due to RCI busy. (Note 1)
-3	Internal error occurred in XSCF. (Note 2)
Note 1: After a certain period of time, re-execute the setrcic (8) command. When this case reappears, contact our field engineer.	
Note 2: Contact our field engineer.	