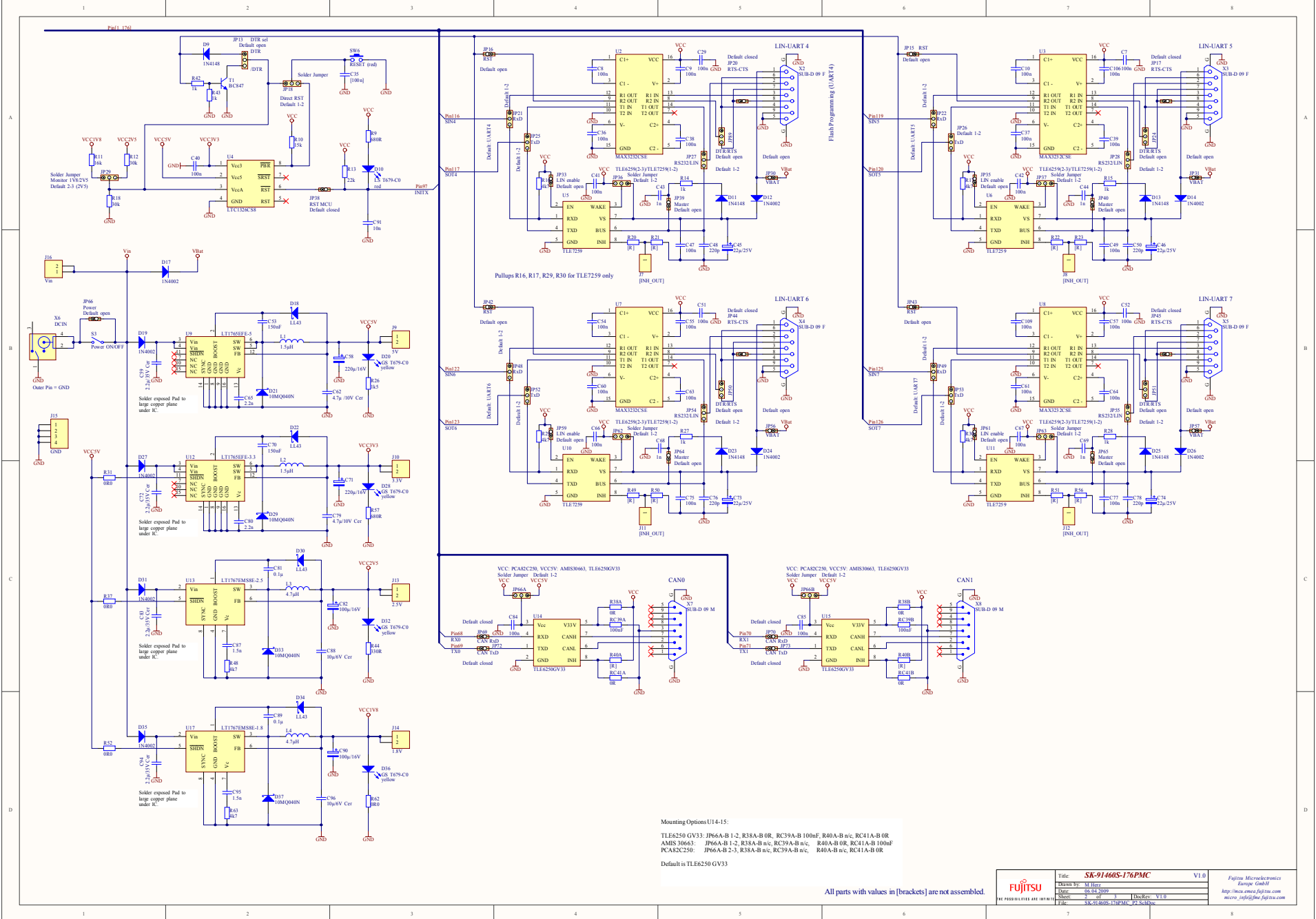


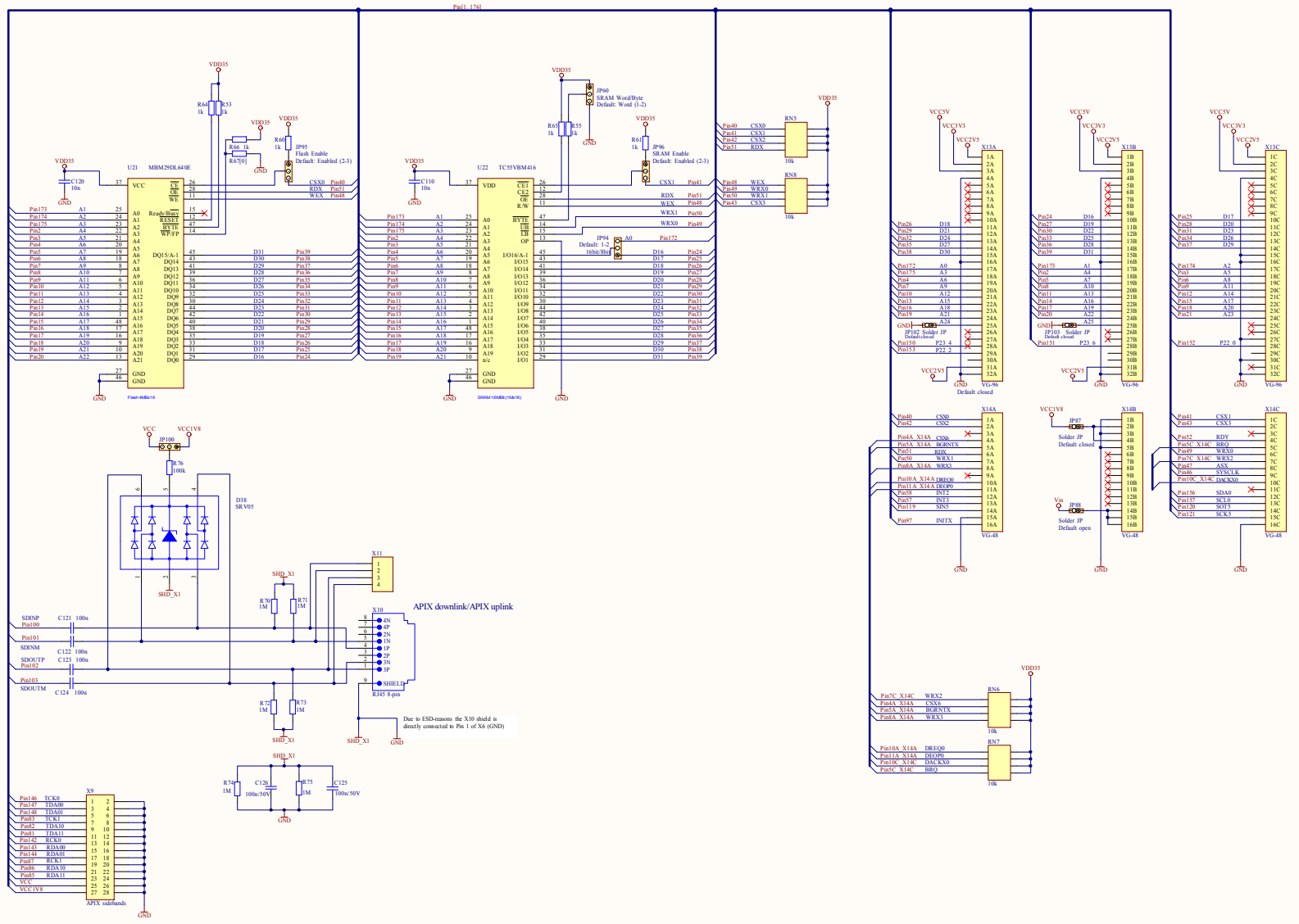
All parts with values in [brackets] are not assembled.



Mounting Options U14-15:
 TLE6250 GV33: JP66A-B 1-2, R38A-B 0R, RC39A-B 100nF, R40A-B n/c, RC41A-B 0R
 AMIS 30663: JP66A-B 1-2, R38A-B n/c, RC39A-B n/c, R40A-B 0R, RC41A-B 100nF
 PCA82C250: JP66A-B 2-3, R38A-B n/c, RC39A-B n/c, R40A-B n/c, RC41A-B 0R
 Default is TLE6250 GV33

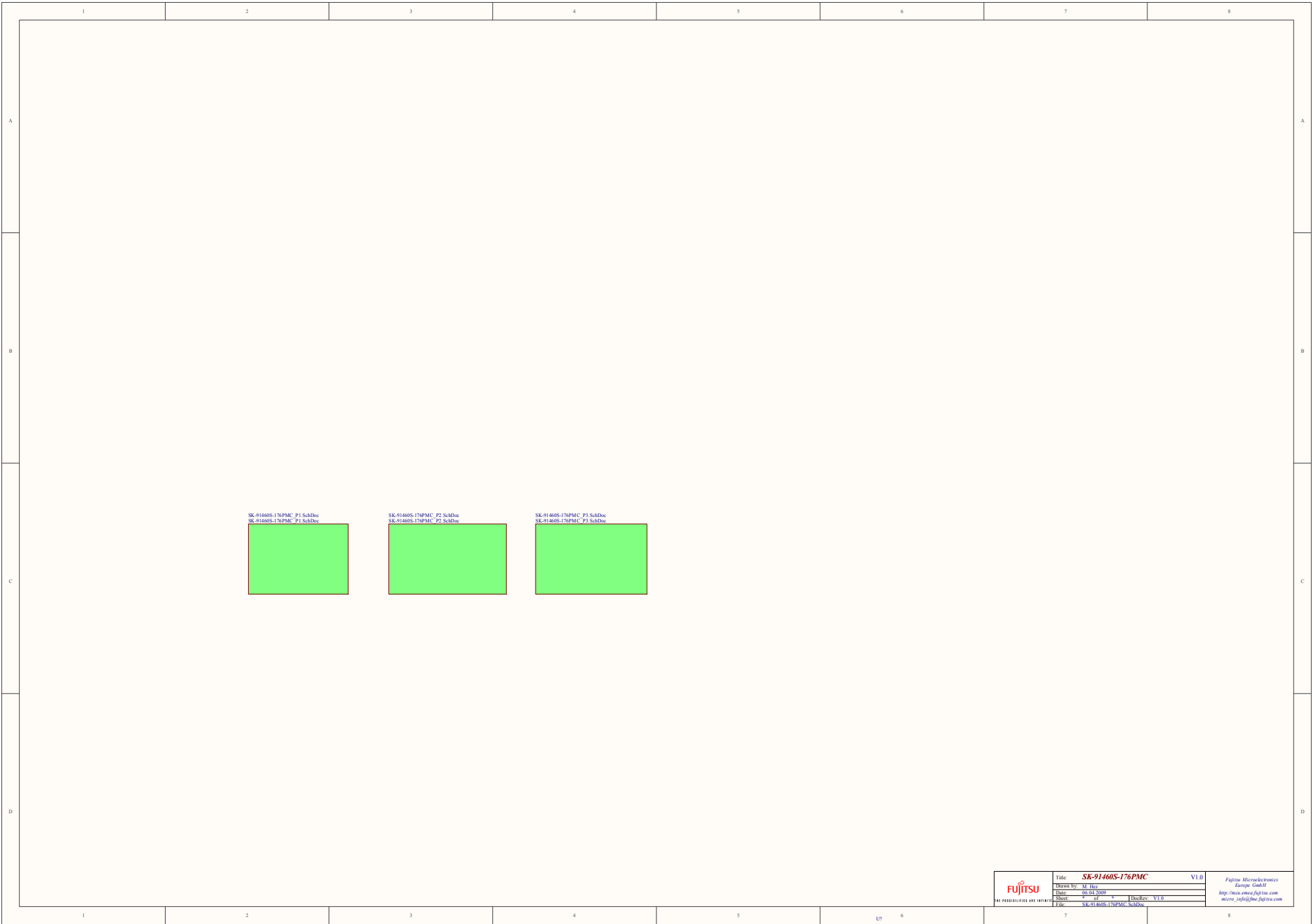
All parts with values in [brackets] are not assembled.

	Title	SK-91460S-176PMC	V1.0	Fujitsu Microelectronics Europe GmbH http://www.emea.fujitsu.com micro_info@eu.fujitsu.com
	Drawn by	M. Herz		
	Date	09.05.2009		
	Sheet	2 of 3	DocRev: V1.0	
	File	SK-91460S-176PMC_P2_SchDoc		



All parts with values in [brackets] are not assembled.

	Title	SK-91460S-176PMC	V1.2	Fujitsu Microelectronics Europe GmbH Date: 09.03.2009 Sheet: 3 of 3 DocRev: V1.0 File: SK-91460S-176PMC_P3.SchDoc
	Drawn by	M. Hög		
	Date	09.03.2009		
	Sheet	3 of 3	DocRev: V1.0	
	File	SK-91460S-176PMC_P3.SchDoc		



SK-91460S-176PMC P1 SchDoc
SK-91460S-176PMC P1 SchDoc



SK-91460S-176PMC P1 SchDoc
SK-91460S-176PMC P1 SchDoc



SK-91460S-176PMC P1 SchDoc
SK-91460S-176PMC P1 SchDoc



Title	SK-91460S-176PMC	V1.0
Drawn by	M. Hög	
Date	06.04.2009	
Sheet	1 of 1	DocRev: V1.0
File	SK-91460S-176PMC_SchDoc	

Fujitsu Microelectronics
Europe GmbH
<http://www.europe.fujitsu.com>
microw_info@europe.fujitsu.com