

Not for New Design

FUJITSU Component Wireless Modules

24GHz Doppler Radar Sensor

FWM7RAZ01

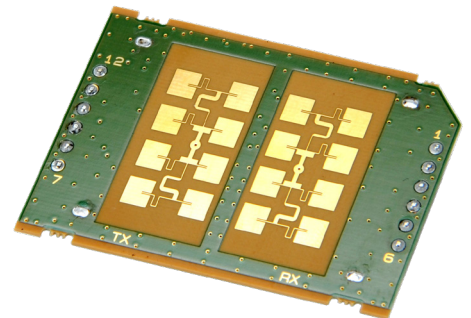
Overview

Fujitsu's 24GHz Doppler Radar Sensor FWM7RAZ01-200002 is a sophisticated product which includes a 24GHz transceiver, TX and RX array antennas, I/F amplifier, MCU, DAC, E2PROM and an LDO voltage regulator all integrated in to a single, compact module.

The compact package, 30mm x 40mm x 9.5mm, includes a pin header on the back for hassle-free, easy integration, even for customers who aren't familiar with high-frequency circuits.

This sensor is suitable for a wide variety of applications including vital sensing, machine monitoring, and any other moving objects detection and analysis.

The standard product line-up is available in Japan, China and North America, with plans to expand to other regions in the future.



FWM7RAZ01

Features

- 24GHz radio wave provides stable sensing environment.
- 3 channels selectable operation prevents interference between adjacent sensors.
- Very low noise outputs of IFs (I, Q) support the detection of objects varied in size and distance.
- Stable transmission frequency supports accurate target object detection.
- Wide frequency range IFs (I, Q) output supports the detection of objects from very slow speeds to super-fast speeds.

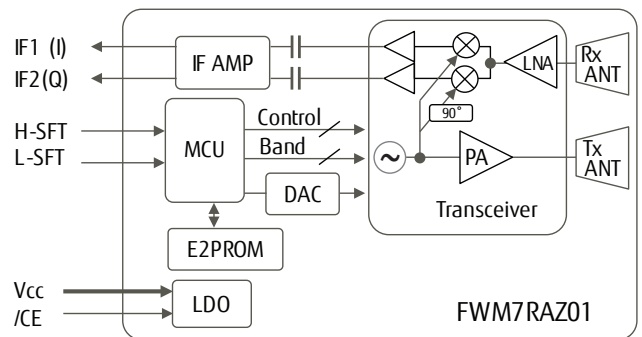
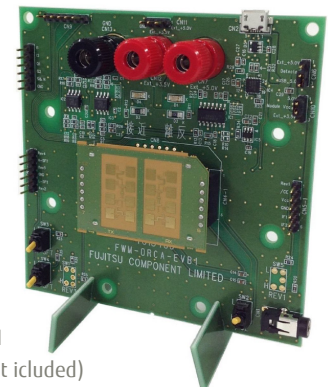


Fig. 1 Functional block diagram

■ Evaluation board

Part number	Details
FWM-ORCA-EVB1	Evaluation board for FWM7RAZ01 Doppler Radar sensor Package includes: - Board (1 pc) - Upright stand (1 pc) - 3.5mm stereo mini plug cable (1 pc) - Micro USB cable (1 pc)



FWM-ORCA-EVB1
(Doppler Radar Sensor not included)

■ Specifications

Item	Specifications
Part number	FWM7RAZ01-200002
Operating frequency band	24.075 to 24.175 GHz (North America) / 24.050 to 24.250 GHz (Japan and China)
Output power	+9 to +13dBm EIRP typical
Detection method	Doppler method
Number of channels	3 channels
Interface	Intermediate frequency (I/Q) analog signal, PIO
Connector	2.54mm pitch pin header
Operating voltage range	+3.4 to 5.5VDC
Current consumption	63mA @ operating, 0.5mA @ disable
Antenna	2 x 4 array for TX and RX
Dimensions	30 x 44 x 9.5mm
Certification	FCC, IC (planned), Radio Act (Japan)

■ Pin descriptions

Pin No.	Pin name	I/O	/CE=L	/CE=H	Description
1	Rev1	In	Hi-Z	Hi-Z	Reserved pin (not connected)
2	/CE	IH	Pull-up to Vcc	Pull-up to Vcc	Enable (low active), this pin is pulled up to Vcc by 10KΩ internally
3	Vcc	Po	-	-	Power supply DC +3.4 to +5.5V
4	GND	-	-	-	GND
5	IF1	Aout	Vcc/2	Hi-Z	I output
6	IF2	Aout	Vcc/2	Hi-Z	Q output
7	Rev2	Dout		Hi-Z	Reserved pin (not connected)
8	L-SFT	IL	Pull-down	Pull-down	Channel selection, this pin is pulled down to GND by 100KΩ internally
9	GND	-	-	-	GND
10	Rev3	In	Hi-Z	Hi-Z	Reserved pin (not connected)
11	H-SFT	IL	Pull-down	Pull-down	Channel selection, this pin is pulled down to GND by 100KΩ internally
12	Rev4	-	Hi-Z	Hi-Z	Reserved pin (not connected)

Contact

<p>Japan FUJITSU COMPONENT LIMITED Shinagawa Seaside Park Tower 12-4, Higashi-shinagawa 4-chome, Tokyo 140 0002, Japan Tel: (81-3) 3450-1682 Fax: (81-3) 3474-2385 Email: fcl-contact@cs.jp.fujitsu.com Web: www.fujitsu.com/jp/group/fcl/en/</p>	<p>Europe FUJITSU COMPONENTS EUROPE B.V. Diamantlaan 25 2132 WV Hoofddorp Netherlands Tel: (31-23) 5560910 Fax: (31-23) 5560950 Email: info@fceu.fujitsu.com Web: emea.fujitsu.com/components/</p>	<p>China FUJITSU ELECTRONIC COMPONENTS (SHANGHAI) CO., LTD. Unit 4306, InterContinental Center 100 Yu Tong Road, Shanghai 200070, China Tel: (86 21) 3253 0998 /Fax: (86 21) 3253 0997 Email: fcsh@cn.fujitsu.com www.fujitsu.com/cn/products/devices/ components/</p>	<p>Korea FUJITSU COMPONENTS KOREA, LTD. Alpha Tower #403, 645 Sampyeong-dong, Bundang-gu, Seongnam-si, Gyeonggi-do, 13524 Korea Tel: (82 31) 708-7108 Fax: (82 31) 709-7108 Email: fcal@sg.fujitsu.com www.fujitsu.com/sg/products/ devices/components/</p>
<p>North and South America FUJITSU COMPONENTS AMERICA, INC. 1230 E. Arques Ave., M/S 160 Sunnyvale, CA 94085 U.S.A. Tel: (1-408) 745-4900 Fax: (1-408) 745-4970 Email: components@us.fujitsu.com Web: https://us.fujitsu.com/components/</p>	<p>Asia Pacific FUJITSU COMPONENTS ASIA, Ltd. 102E Pasir Panjang Road #01-01 Citilink Warehouse Complex, Singapore 118529 Tel: (65) 6375-8560 / Fax: (65) 6273-3021 Email: fcal@sg.fujitsu.com www.fujitsu.com/sg/products/devices/ components/</p>	<p>Hong Kong FUJITSU COMPONENTS HONG KONG Co., Ltd. Room 06, 28/F, Greenfield Tower, Concordia Plaza, No.1 Science Museum Road, Tsim Sha Tsui East, Kowloon, Hong Kong Tel: (852) 2881 8495 Fax: (852) 2894 9512 Email: fcal@sg.fujitsu.com www.fujitsu.com/sg/products/devices/ components/</p>	

Copyright

All trademarks or registered trademarks are the property of their respective owners. Fujitsu Components America or its affiliates do not warrant that the content of datasheet is error free. In a continuing effort to improve our products Fujitsu Components America, Inc. or its affiliates reserve the right to change specifications/datasheets without prior notice. Copyright ©2021 Fujitsu Components America, Inc. All rights reserved. Revised March 22, 2021.