

# FUJITSU Components Thermal Printer

## FTP-839MCL113 series (Easy loading, curl pass)

## FTP-839MCL114 series (Auto loading, straight pass)

Fujitsu 3" 24V Driving mechanism

### Overview

The high-speed FTP-839MCL series is a 24V driven mechanism for 3 inch wide paper. The mechanism has no control board.

The receipt/label printer mechanism is most suitable for applications such as Kiosk, ATM, lottery, pharmacy, and ticket issuing printers for various other equipment.



FTP-839MCL series

### Features

- High resolution 300 dpi (11.8 dots/mm)
- Ultra high-speed (200mm/sec.)
- Medium duty united (mounting is easy)
- Up to 10-inch paper roll diameter
- Rear paper auto loading
- Paper jam detection
- Prints 2-D barcodes
- UL file no. E171434

### ■ Designation

Item	Part Number	Comment
Printer mechanism	USB (ver. 2.0)	FTP-839MCL113 Easy load, curved paper path
	Serial (RS-232C) / USB (ver. 2.0)	FTP-839MCL114 Auto load, straight paper path

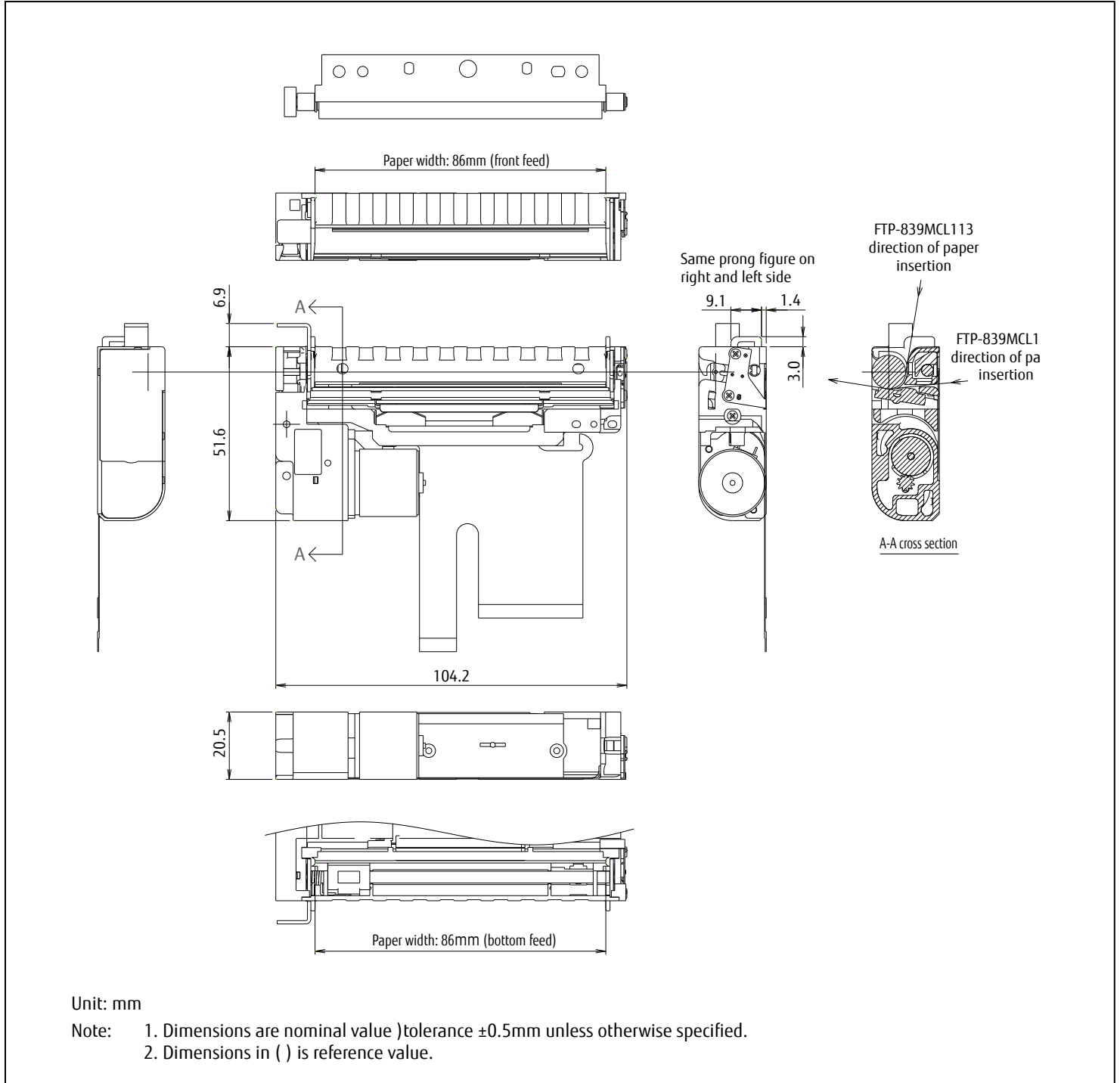
## ■ Specifications

Item	Specifications		
Part number	FTP-839MCL113/114		
Printing method	Thermal-sensitive line dot method		
Dot structure	960dots/line		
Dot pitch	Horizontal	0.0847 mm (dot density: 11.8 dots/mm, 300dpi)	
	Vertical	0.0847 mm (line feed pitch; 11.8 dots/mm, 300dpi)	
Effective printing area	81.312 mm		
Paper	Width	86±1 mm (standard setting)	
	Thickness	60 to 100 μm (depending on paper specifications)	
Printing speed	Max. 200 mm/s (2,360 dotlines/s) (High speed batch image printing, at 25°C using PD150R Oji paper)		
Interface	Serial (RS232C), USB		
Power supply	For head	24VDC ±10%, approx. 3.22A (24VDC, 970Ω, + 25°C, concurrent applied dot number 128 dots)	
	For printer motor	24VDC ±10%, 1.0 A maximum (Fujitsu Component Limited standard circuit)	
	For logic	5VDC ±5%, 0.32 A maximum or 3.3VDC±5%, 0.12A maximum	
Dimensions (WxDxH)	104.2 x 51.6 x 20.5 mm		
Weight (approximately, excluding paper)	145 g		
Expected life	Head	Pulse resistance	100 milion pulse/dot (using Fujitsu's standard printing conditions)
		Wear resistance	100 km (at max. 12.5% printing ratio (using Fujitsu's standard printing conditions)
Environmental conditions	Operating temperature		-10°C to +60°C*1
	Operating humidity		20 to 85% RH (no condensation) (at 0 to +40°C)
	Storage temperature		-40°C to +70°C
	Storage humidity		5 to 90% RH (no condensation)
Detection	Motor head temperature		By thermistor (applied energy control, abnormal temperature detection)
	Paper out/Mark detect		By photointerrupter
	Platen open		By mechanical switch
Recommended thermal sensitive paper	PD150R (Oji paper) (Standard paper)		
Paper diameter	Max. 83 mm		

\*1: Color density is guaranteed: +5° to +40°C with PD150R (Oji paper).

■ Dimensions

- FTP-839MCL113



Unit: mm

- Note:
1. Dimensions are nominal value )tolerance  $\pm 0.5\text{mm}$  unless otherwise specified.
  2. Dimensions in ( ) is reference value.

■ Connector pin assignments of printer mechanism (FPC)

No	Signal	Content
1	SW	Platen open switch
2	SW	Platen open switch
3	VH	+ 24 head drive power
4	VH	+ 24 head drive power
5	VH	+ 24 head drive power
6	Vsf*1	+ 24 head drive power
7	DI2	Data in 2
8	DO2	Data out 2
9	GND	Head ground
10	GND	Head ground
11	GND	Head ground
12	GND	Head ground
13	STB2	Strobe2
14	TM	Thermistor
15	TM	Thermistor
16	Vdd	+5V logic power
17	/LAT	Data latch
18	CLK	Clock
19	STB1	Strobe1
20	GND	Head ground
21	GND	Head ground
22	GND	Head ground
23	GND	Head ground
24	GND	Head ground
25	DI1	Data in 1
26	DO1	Data out 1
27	VH	+ 24 head drive power
28	VH	+ 24 head drive power
29	VH	+ 24 head drive power
30	VH	+ 24 head drive power
31	N.C.	Not connected
32	TM	Motor thermistor
33	TM	Motor thermistor
34	MT/A	Excitation signal /A
35	MT A	Excitation signal A
36	MT/B	Excitation signal /B
37	MT B	Excitation signal B
38	PHK	Cathode for photo interrupter
39	VSEN	Paper sensor power
40	PHE	Emitter for photo interrupter

---

**Contact**

**Japan**

FUJITSU COMPONENT LIMITED  
Shinagawa Seaside Park Tower  
12-4, Higashi-shinagawa 4-chome,  
Tokyo 140 0002, Japan  
Tel: (81-3) 3450-1682  
Fax: (81-3) 3474-2385  
Email: fcl-contact@cs.jp.fujitsu.com  
Web: www.fujitsu.com/jp/group/fcl/en/

**Europe**

FUJITSU COMPONENTS EUROPE B.V.  
Diamantlaan 25  
2132 WV Hoofddorp  
Netherlands  
Tel: (31-23) 5560910  
Fax: (31-23) 5560950  
Email: info@fceu.fujitsu.com  
Web: emea.fujitsu.com/components/

**China**

FUJITSU ELECTRONIC COMPONENTS  
(SHANGHAI) CO., LTD.  
Unit 4306, InterContinental Center  
100 Yu Tong Road, Shanghai 200070, China  
Tel: (86 21) 3253 0998 /Fax: (86 21) 3253 0997  
Email: fcal@sg.fujitsu.com  
www.fujitsu.com/sg/products/devices/  
components/

**Korea**

FUJITSU COMPONENTS KOREA, LTD.  
Alpha Tower #403,  
645 Sampyeong-dong,  
Bundang-gu, Seongnam-si,  
Gyeonggi-do, 13524 Korea  
Tel: (82 31) 708-7108  
Fax: (82 31) 709-7108  
Email: fcal@sg.fujitsu.com  
www.fujitsu.com/sg/products/  
devices/components/

**North and South America**

FUJITSU COMPONENTS AMERICA, INC.  
2290 North First Street, Suite 212  
San Jose, CA 95131 U.S.A.  
Tel: (1-408) 745-4900  
Fax: (1-408) 745-4970  
Email: components@us.fujitsu.com  
Web: http://us.fujitsu.com/components/

**Asia Pacific**

FUJITSU COMPONENTS ASIA, Ltd.  
102E Pasir Panjang Road  
#01-01 Citilink Warehouse Complex,  
Singapore 118529  
Tel: (65) 6375-8560 / Fax: (65) 6273-3021  
Email: fcal@sg.fujitsu.com  
www.fujitsu.com/sg/products/devices/  
components/

**Hong Kong**

FUJITSU COMPONENTS HONG KONG Co., Ltd.  
Room 06, 28/F, Greenfield Tower, Concordia  
Plaza, No.1 Science Museum Road,  
Tsim Sha Tsui East, Kowloon, Hong Kong  
Tel: (852) 2881 8495 Fax: (852) 2894 9512  
Email: fcal@sg.fujitsu.com  
www.fujitsu.com/sg/products/devices/  
components/

---

**Copyright**

All trademarks or registered trademarks are the property of their respective owners. Fujitsu Components America or its affiliates do not warrant that the content of datasheet is error free. In a continuing effort to improve our products Fujitsu Components America, Inc. or its affiliates reserve the right to change specifications/datasheets without prior notice. Copyright ©2017 Fujitsu Components America, Inc. All rights reserved. Revised November 8, 2017.

---