

# 24V DRIVE, HIGH SPEED THERMAL PRINTER

## FTP-601 Series

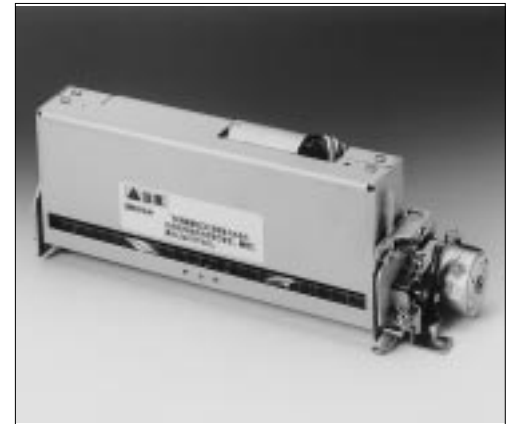
### 5.5 INCH TYPE

## FTP-651MCL101/102/301/302

### ■ OVERVIEW

The FTP-651 MCL Series is an ultra high speed line thermal printer driven by 24 VDC, printing on 5.5-inch wide paper. The printer is available with cutter.

The FTP-651 MCL Series can be used for a variety of applications, such as POS terminals, ticket issuing terminals, label printers, banking terminals, and measurement, medical equipment, and hard copy of CRT.



### ■ HIGHLIGHTS

- High speed printing at 50mm/sec. (400 dotlines/sec.)
- Easy head cleaning and head replacement
- Paper auto loading function
- High resolution printing for 15 - 20 inch CRT (1280 x 1024, 1024 x 768)
- Available with auto cutter (full cut)
- Two types of paper routes, front or bottom feed

### ■ PART NUMBERS

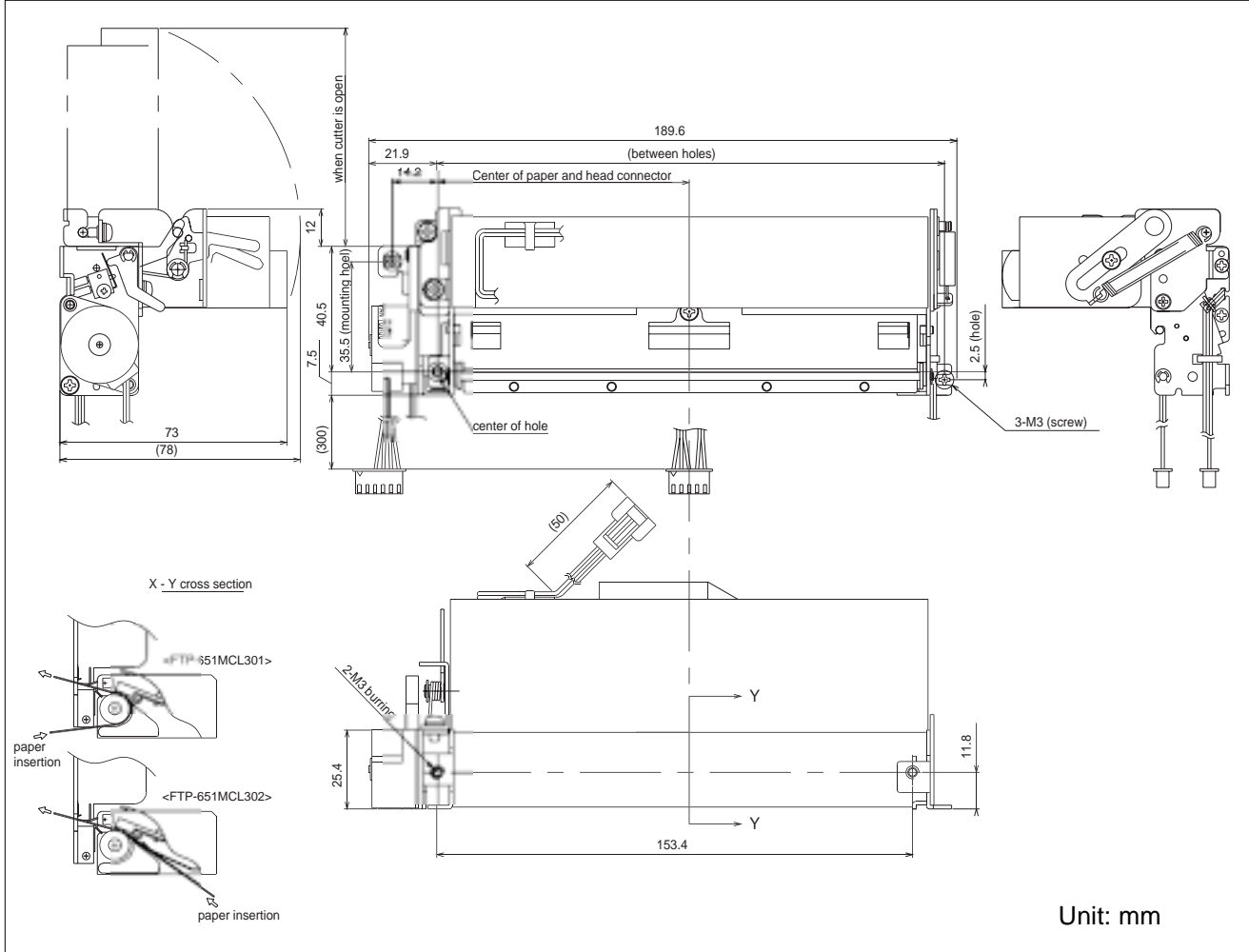
Item	Part Number
Printer Mechanism	FTP-651MCL101(front feed) FTP-651MCL102 (rear feed)
Printer Mechanism for cutter (cutter is not included)	FTP-651MCL301 (front feed) FTP-651MCL302 (rear feed)
Cutter	FTP-651CT001

# FTP-651MCL Series

## ■ SPECIFICATIONS

Item		Specification
Printing method		Thermal-sensitive line dot method
Dot structure		1088 dots/line
Dot density / line feed pitch		0.125mm (8 dots/mm)
Effective printing area		136 mm
Number of columns		136 ANK characters (max.)
Paper thickness		60 to 100μm
Maximum printing speed		50 mm/sec. (400 dotlines/sec.)
Cutter	Method	Guillotine
	Type	Full cut
	Length min.	20mm
Operate Voltage	For head	24 VDC ± 5% (average current 0.79 (1.3A) peak at print ratio 12.5%)
	For motor/cutter	24 VDC ± 5%, 1 A max.
	For logic	5 VDC ± 5%, 0.5 A max.
Dimensions ( W x D x H)		190 x 60 x 73 mm
Weight (mechanism + cutter)		approximately 770g (380g + 390g)
Expected Life	Head	Pulse durability: 1 x 10 <sup>8</sup> pulse, Wear resistance: 50km (at 25% printing ratio)
	Cutter	300,000 cuts
Environmental Conditions	Operating temperature	+5° C to +40° C temperature range for guaranteed printing density. It can operate at 0° C to +40° C
	Operating humidity	20 to 85% RH (no condensation)
	Storage temperature	-20° C to +60° C (excluding paper)
	Storage humidity	5 to 90% RH ( no condensation)
Detection	Head	By thermistor (applied temperature control, abnormal temperature detection)
	Paper	By photointerruptor
	Head-up	By microswitch
	Cut	By microswitch
Paper width		142±0.5 mm
Recommended thermal sensitive paper		PD105R, PD170R, PD160R-N (Oji paper) AFP-235B

## ■ SPECIFICATIONS



Note: All dimensions are nominal value. ( ) means just reference

### Fujitsu Components International Headquarter Offices

**Japan**  
 Fujitsu Component Limited  
 Gotanda-Chuo Building  
 3-5, Higashigotanda 2-chome, Shinagawa-ku  
 Tokyo 141, Japan  
 Tel: (81-3) 5449-7010  
 Fax: (81-3) 5449-2626  
 Email: [promothq@ft.ed.fujitsu.com](mailto:promothq@ft.ed.fujitsu.com)  
 Web: [www.fcl.fujitsu.com](http://www.fcl.fujitsu.com)

**North and South America**  
 Fujitsu Components America, Inc.  
 250 E. Caribbean Drive  
 Sunnyvale, CA 94089 U.S.A.  
 Tel: (1-408) 745-4900  
 Fax: (1-408) 745-4970  
 Email: [marcom@fcai.fujitsu.com](mailto:marcom@fcai.fujitsu.com)  
 Web: [www.fcai.fujitsu.com](http://www.fcai.fujitsu.com)

**Europe**  
 Fujitsu Components Europe B.V.  
 Diamantlaan 25  
 2132 WV Hoofddorp  
 Netherlands  
 Tel: (31-23) 5560910  
 Fax: (31-23) 5560950  
 Email: [info@fceu.fujitsu.com](mailto:info@fceu.fujitsu.com)  
 Web: [www.fceu.fujitsu.com](http://www.fceu.fujitsu.com)

**Asia Pacific**  
 Fujitsu Components Asia Ltd.  
 102E Pasir Panjang Road  
 #04-01 Citilink Warehouse Complex  
 Singapore 118529  
 Tel: (65) 6375-8560  
 Fax: (65) 6273-3021  
 Email: [fcal@fcal.fujitsu.com](mailto:fcal@fcal.fujitsu.com)  
 Web: [www.fcal.fujitsu.com](http://www.fcal.fujitsu.com)