

24V DRIVE, FTP-609 SERIES ULTRA HIGH SPEED (200mm/s) 2" TYPE MECHANISM (Cutter option)

FTP-629MCL054/353/354/374

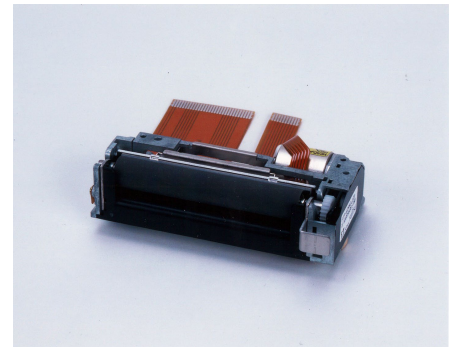
■ OVERVIEW

The FTP-609MCL Series thermal printer (driven by 24VDC) provides ultra-high speed printing (200mm/s) for 2-inch and 3-inch wide paper.

This series is suitable for a variety of applications, such as POS/ ECR, kiosk terminals, ticket machines, label printers, banking machines, measuring devices, medical equipment, etc.

■ HIGHLIGHTS

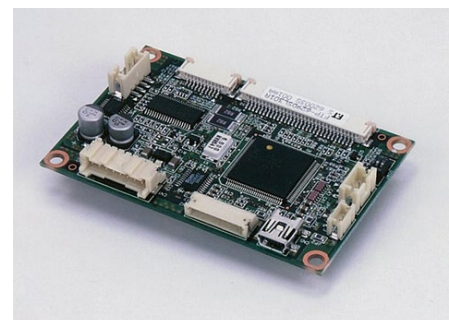
- **Ultra high speed printing**
It can print at 200 mm/s (1600 dotlines/s) maximum by using Fujitsu Components' unique head drive control.
- **Rear paper insertion mechanism with lock type**
Fujitsu Components' unique platen release mechanism allows straight paper path and easy head maintenance.
- **Auto Cutter**
Printer with auto cutter (full cut/ partial cut) is available. It can be mounted on top of the mechanism.
- **Multi-featuring diecast frame**
By application of multi-featuring diecast frame, continuous print by function of heat-sink, high ESD with stand by function of earth frame and shock/vibration resistance by function of solid frame are valid.
- **Compact size**
Depth: 40.5mm, width: 82.2mm, height: 20.5mm for the 2-inch model. The 3-inch model has a width of 104.2mm
- **High resolution**
8 dots/mm head provides clear print out.
- **RoHS compliant**



FTP-629MCL054



FTP-629MCL354



FTP-629DSL301

■ PART NUMBERS

Name		Part Number	
Printer mechanism	Bottom insertion	FTP-629MCL054	-
Mechanism with cutter	Front insertion	FTP-629MCL353	-
	Bottom insertion	FTP-629MCL354	FTP-629MCL374 (with adapter board)
LSI		FTP-629CU301	
Interface board	Serial (RS232C)	FTP-629DSL301	-
	USB	FTP-629DSL301	-
Thermal head cable extension		-	FTP-629Y001
Interface cable	Serial	FTP-628Y302	-
	USB	FTP-629Y301	-
Power supply cable		Head, motor	FTP-629Y602

*: Interface is selectable by DIP switch

■ GENERAL SPECIFICATIONS

Item		Specifications	
Part number		FTP-629MCL054	FTP-629MCL353/354/374
Printing method		Thermal sensitive line dot method	
Dot structure		432 dots/line	
Dot pitch (horizontal)		0.125mm (8dots/mm) - Dot density	
Dot pitch (vertical)		0.125mm (8dots/mm) - Line feed pitch	
Effective printing area		54 mm	
Number of columns		ANK 36 columns/line (12 x 24 dot font), OCR 18 columns (24x40)	
Paper width		60 mm +0/-1	
Paper thickness		60 to 100µm	
Cutting type		Full or partial	
Printing speed		200mm/sec. (1600 dot lines/sec.)	
Character types	Alphanumeric, Kana: International and special OCR I OCR III OCR IV Extended numeric JIS Kanji level 1, level 2, non-Kanji	159 types 195 types 103 types 23 types 103 types 11 types about 6,800 types	
Character, dimensions (WxH), number of columns		(8x16 dots), 54 columns: ANK (24 x 40 dots), 18 columns, OCR I (12x24 dots), 36 columns: ANK (24 x 48 dots), 18 columns, OCR II (16x16 dots), 27 columns: ANK (36 x 60 dots), 12 columns, OCR IV (24x24 dots), 18 columns: ANK (24 x 48 dots) 18 columns, extended numeric	
Interface standard		RS-232C, USB	

FTP-629MCL054/353/354/374

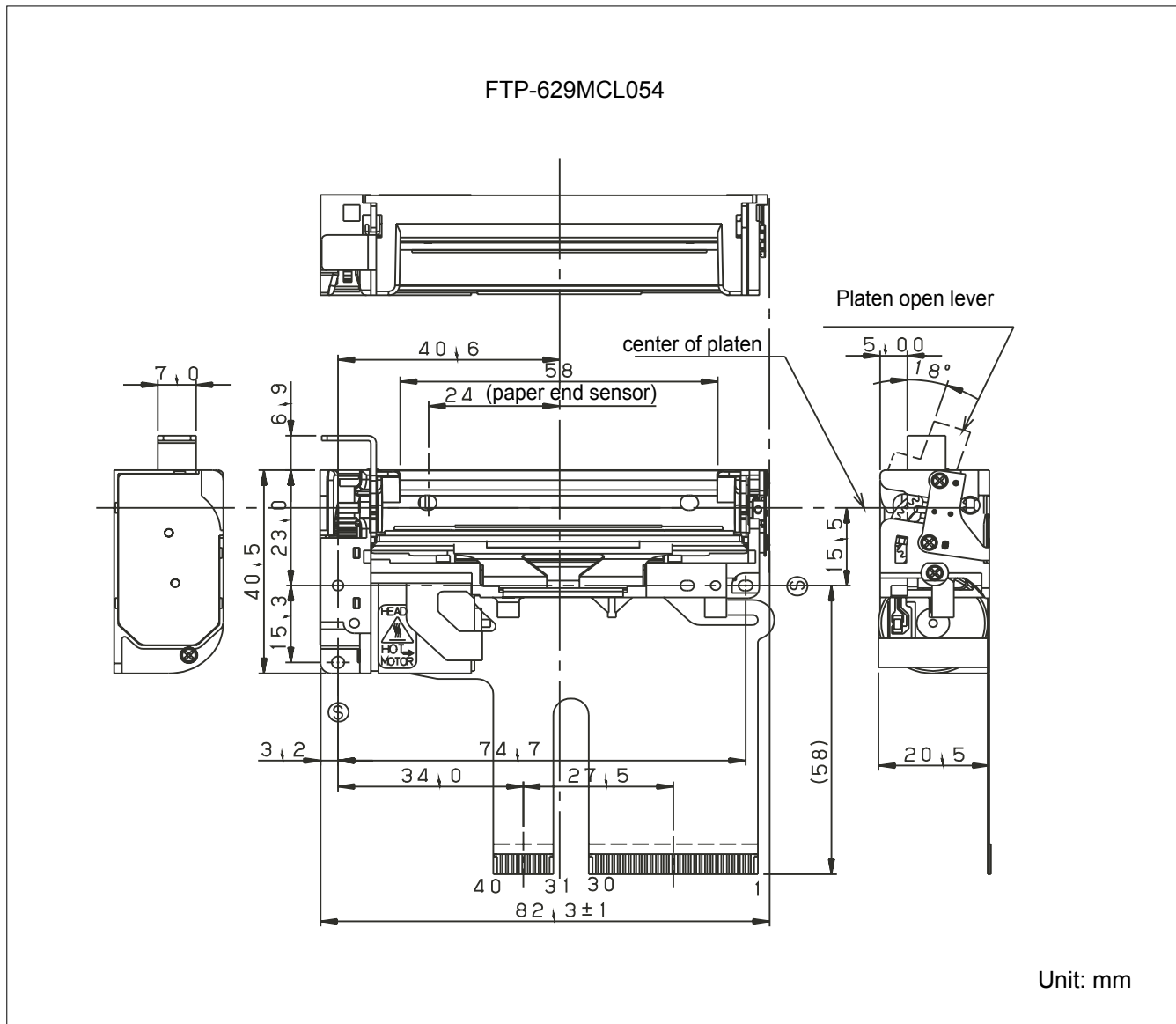
Item		Specifications	
Part number		FTP-629MCL054	FTP-629MCL353/354/374
Interfaces		RS-232C standard / USB	
Power supply	For head	24 VDC \pm 5% 1.4A (3A) (24V , 25% printing ratio)	
	For printer motor	24VDC \pm 5% 1A maximum	
	For cutter motor	---	24VDC \pm 5% 1.2 A maximum
	For logic	5VDC \pm 5% 0.2 A maximum	
Dimensions W x D x H	Printer Mechanism	82.3 \times 40.5 \times 20.5 mm	---
	Printer Mech w/cutter	---	90.6 \times 62.5 \times 37.2mm
	Interface board (DSL300)	77 x 50x 215mm	
Weight	Printer mechanism	Approximately 100g	---
	Printer mech w/cutter	---	Approximately 270g
	Interface board	Approximately 30g	
Life	Head	Pulse durability: 100 million pulse/dot (using Fujitsu Components' standard driving method) Wear resistance: 100 km (at 12.5% print ratio)	
	Cutter	---	500,000 cuts min.
Environmental conditions	Operating temperature	-10°C to +60°C (Guarantee)	0°C to +50°C (Guarantee)
	Operating humidity	20 to 85% RH (no condensation)	
	Storage temperature	-40°C to +75°C (excluding paper)	-20°C to +60°C
	Storage humidity	5 to 95% RH (no condensation)	
Detection	Head temperature	By thermistor	
	Paper out/Mark detect	By photointerrupter	
	Head release	By slide switch	
Recommended thermal sensitive paper	High sensitivity paper	TF50KS-E4 (Nippon paper)	
	Standard paper	TF60KS-E (Nippon paper), FTP-020P0104 (58mm), PD150R (Oji paper), FTP-020P020P0701 (58mm)	
	Medium term paper	TP60KS-F1 (Nippon paper),FTP-020P0102(58mm), PD170R (Oji paper) P220VBB-1 (Mitsubishi paper) PD160R-N (Oji paper)	
	Long term paper	AFP-235 (Mitsubishi paper) TP50KJ-R (Nippon paper) HA220AA (Nippon paper)	

■ FUNCTION

ITEM		ITEM	
1.	Test printing	8.	Cutter trouble detection
2.	Paper-out detection	9.	Motor power save
3.	Paper near end detection	10.	Mark detection
4.	Head-up detection	11.	MCU trouble detection
5.	Abnormal temp. of thermal head detection	12.	Power on/off sequence protection
6.	Blown fuse detection	13.	Motor protection
7.	Abnormal voltage detection of head	14.	Hardware timer

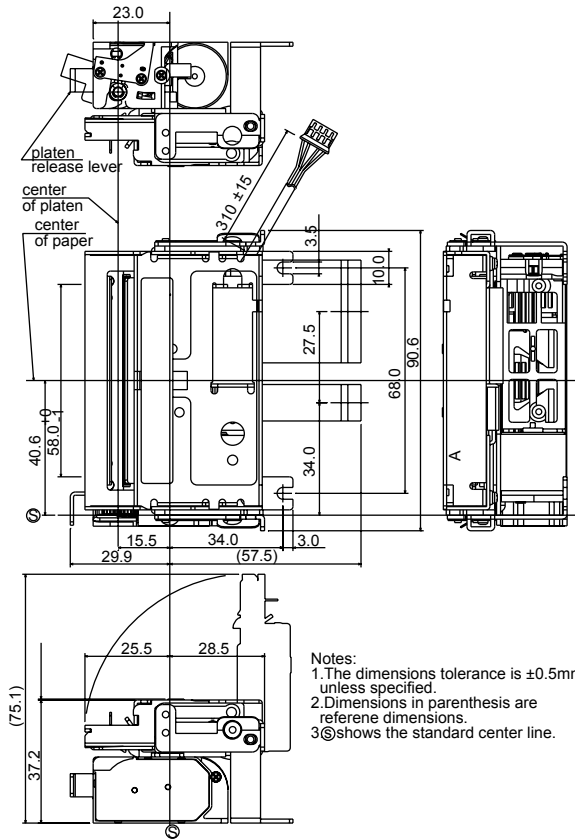
■ DIMENSIONS

1. Printer mechanism



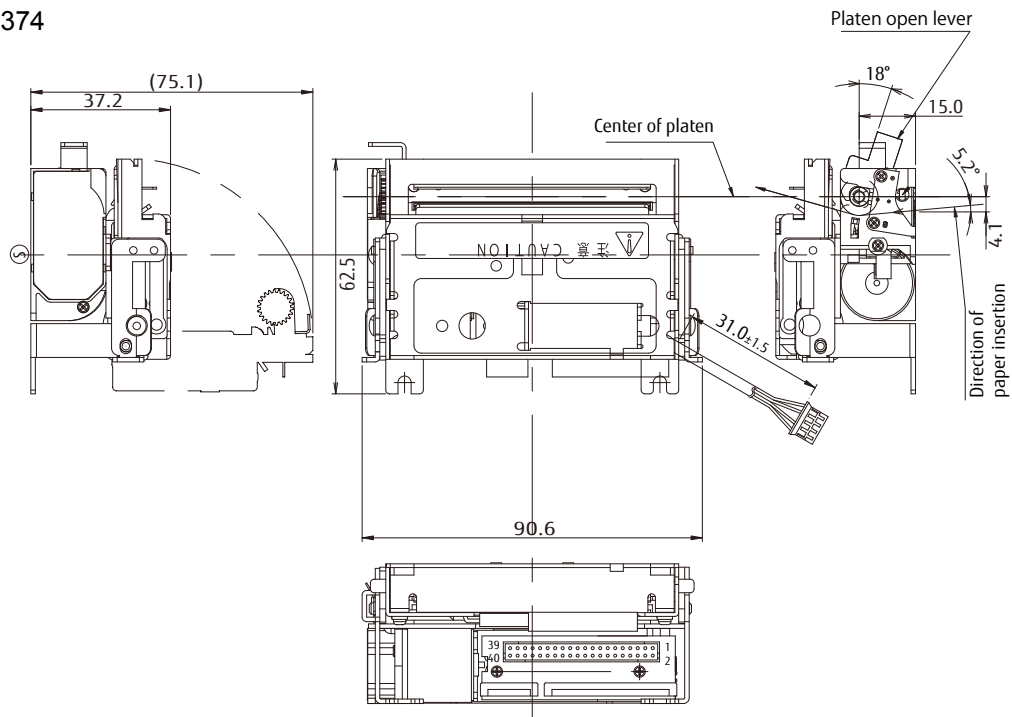
2. Printer mechanism with cutter

FTP-629MCL353/354



Unit: mm

FTP-629MCL374



* Tolerance is ± 0.5 unless otherwise specified.
 * Ⓢ shows the standard center line.

Unit: mm

■ CONNECTOR PIN ASSIGNMENT OF PRINTER MECHANISM (FPC)

1. Thermal head, motor, sensor

* FPC type (FTP-629MCL054/353/354)

No 1 to 30: 52610-3071 (Molex), No 31 to 40: 52610-1071 (Molex)

* Cable extension type (FTP-629MCL374) LY20-DC40 (JAE)

No	Signal	I/O	Contents	No	Signal	I/O	Contents
1	SW	O	Platen open switch	2	SW	-	Platen open switch
3	VH	-	Power for thermal head	4	VH	-	Power for thermal head
5	VH	-	Power for thermal head	6	VH	-	Power for thermal head
7	DI	I	Data in	8	$\overline{\text{STB2}}$	I	Print enable 2
9	$\overline{\text{STB3}}$	I	Print enable 3	10	VDD	-	Power for logic
11	TM	-	Thermistor	12	GND	-	Head GND
13	GND	-	Head GND	14	GND	-	Head GND
15	GND	-	Head GND	16	GND	-	Head GND
17	GND	-	Head GND	19	GND	-	Head GND
19	GND	-	Head GND	20	GND	-	Head GND
121	TH	O	Thermistor	22	$\overline{\text{STB1}}$	I	Print enable 1
23	NC	I	Not connected	24	$\overline{\text{LAT}}$	I	Print data latch
25	CLK	I	Clock	26	DO	O	Data out
27	VH	-	Power for thermal head	28	VH	-	Power for thermal head
29	VH	-	Power for thermal head	30	VH	-	Power for thermal head
31	NC	-	Not connected	32	TM	O	Motor temperature sensor
33	TM	-	Motor temperature sensor	34	MT A	I/O	Motor coil excitation /A
35	MT A	I	Motor coil excitation A	36	MT B	I/O	Motor coil excitation /B
37	MT B	I	Motor coil excitation B	38	PHK	-	Paper out sensor cathode
39	VSEN	I	Power for paper sensor	40	$\overline{\text{PHE}}$	O	Paper out sensor emitter

2. Cutter

With cutter type (FTP-629MCL353/354/374)

Connector type: B4B-PH-SM4-TB (J.S.T.) or equivalent

No.	Signal	I/O	Contents	No.	Signal	I/O	Contents
1	SW1	-	Cutter home position switch	2	SW2	O	Cutter home position switch
3	M+	O	Cutter motor drive	4	M-	I	Cutter motor drive

■ INTERFACE, COMMAND, OPTIONS

Please refer to the FTP-629DSL301 series datasheet.

Contact

Japan FUJITSU COMPONENT LIMITED Shinagawa Seaside Park Tower 12-4, Higashi-shinagawa 4-chome, Tokyo 140 0002, Japan Tel: (81-3) 3450-1682 Fax: (81-3) 3474-2385 Email: fcl-contact@cs.jp.fujitsu.com Web: www.fujitsu.com/jp/group/fcl/en/	Europe FUJITSU COMPONENTS EUROPE B.V. Diamantlaan 25 2132 WV Hoofddorp, The Netherlands Tel: (31-23) 5560910 Fax: (31-23) 5560950 Email: info@fceu.fujitsu.com Web: www.fujitsu.com/uk/products/ devices/components/	China FUJITSU ELECTRONIC COMPONENTS (SHANGHAI) CO., LTD. Unit 4306, InterContinental Center 100 Yu Tong Road, Shanghai 200070, China Tel: (86 21) 3253 0998 / Fax: (86 21) 3253 0997 Email: fcal@sg.fujitsu.com www.fujitsu.com/sg/products/devices/ components/	Korea FUJITSU COMPONENTS KOREA, LTD. Alpha Tower #403, 645 Sampyeong-dong, Bundang-gu, Seongnam-si, Gyeonggi-do, 13524 Korea Tel: (82 31) 708-7108 Fax: (82 31) 709-7108 Email: fcal@sg.fujitsu.com www.fujitsu.com/sg/products/ devices/components/
North and South America FUJITSU COMPONENTS AMERICA, INC. 2290 North First Street, Suite 212 San Jose, CA 95131 U.S.A. Tel: (1-408) 745-4900 Fax: (1-408) 745-4970 Email: components@us.fujitsu.com Web: http://us.fujitsu.com/components/	Asia Pacific FUJITSU COMPONENTS ASIA, Ltd. 102E Pasir Panjang Road #01-01 Citilink Warehouse Complex, Singapore 118529 Tel: (65) 6375-8560 / Fax: (65) 6273-3021 Email: fcal@sg.fujitsu.com www.fujitsu.com/sg/products/devices/ components/	Hong Kong FUJITSU COMPONENTS HONG KONG Co., Ltd. Room 06, 28/F, Greenfield Tower, Concordia Plaza, No.1 Science Museum Road, Tsim Sha Tsui East, Kowloon, Hong Kong Tel: (852) 2881 8495 Fax: (852) 2894 9512 Email: fcal@sg.fujitsu.com www.fujitsu.com/sg/products/devices/ components/	

Copyright

All trademarks or registered trademarks are the property of their respective owners. Fujitsu Components America or its affiliates do not warrant that the content of datasheet is error free. In a continuing effort to improve our products Fujitsu Components America, Inc. or its affiliates reserve the right to change specifications/datasheets without prior notice. Copyright ©2019 Fujitsu Components America, Inc. All rights reserved. Revised January 7, 2019
