

BATTERY DRIVE, FTP-608 Series

2" HIGH SPEED THERMAL PRINTER

FTP-628 MCL701/751#01

Vertical Easy Loading Method

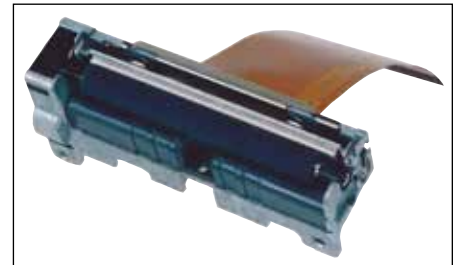
■ OVERVIEW

The easy loading FTP-608 MCL Series is ultra compact high speed, battery driven thermal printer, printing on 2-inch wide paper (58mm) where platens are removable. Our original platen removal mechanism improved paper loading and maintenance.

The FTP-608 MCL series can be used for a variety of applications, such as portable terminals, POS, ticket issuing terminals, label printers, banking terminals, and measurement and medical equipment.

■ HIGHLIGHTS

- **Easy loading type**
Our original platen removal mechanism improved paper loading and maintenance.
- **Ultra compact**
701: Height 31.5 mm, width 67.5 mm, depth 20.5 mm
751#01: Height 32.5 mm, width 67.5 mm, depth 19.8 mm
- **High speed printing**
It can print at 80 mm/s (640 dotlines/s) maximum by using Fujitsu's unique head drive control.
- **High resolution printing**
8 dots/mm of resolution printing is possible.
- **RoHS compliant**



FTP-628MCL701



FTP-628MCL751#01

FTP-628MCL701/751#01

■ PART NUMBERS

Item		Part Number
Printer mechanism		FTP-628MCL701 (without platen open detect switch) no I/F board
		FTP-628MCL751#01 (Serial and USB Interface board available)
LSI for driving		FTP-628CU601R
Interface board	USB	FTP-628DSL642R
	Serial	FTP-628DSL643R
Interface cables	USB	FTP-629Y301
	Serial	FTP-628Y302
Power cables	Logic, head, motor	FTP-628Y402

■ SPECIFICATIONS

Item		Specifications
Part number		FTP-628MCL701/751#01
Printing method		Thermal line dot method
Dot structure		384 dots/line
Dot pitch (horizontal)		0.125mm (8dots/mm) - Dot density
Dot pitch (vertical)		0.125mm (8dots/mm) - Line feed pitch
Effective printing area		48 mm
Number of columns		ANK 32 columns/line (maximum 12 x 24 dot font)
Paper width		58 mm +0/-1
Paper thickness		60 to 100µm (some paper may not be used because of characteristics)
Printing speed		Maximum 80mm/sec. (640 dot lines/sec.) 8.5V
Interface		FTP-628DSL600 series
Character types	Alphanumeric, katakana:	159 types
	International and special characters:	195 types
	OCRI	103 types
	OCRIII	23 types
	OCRIV	103 types
	Extended numeric	11 types
	JIS Kanji level 1, level 2, non-Kanji (supported only when Kanji CG is mounted)	about 6,800 types
Character, dimensions (WxH), number of columns	Half size	12 x 24 dots, (1.5 x 3.0 mm), 32 columns: ANK
	Full size	24 x 24 dots, (3.0 x 3.0 mm), 16 columns: ANK, Kanji
	Half size	8 x 16 dots, (1.0 x 1.0 mm), 48 columns: ANK
	Full size	16 x 16 dots, (2.0 x 2.0 mm), 24 columns: ANK, Kanji
	OCR I	24 x 40 dots, 16 columns
	OCR III	24 x 48 dots, 16 columns
	OCRIV	36 x 60 dots, 10 columns
Extended numeric	24 x 48 dots, 16 columns	

FTP-628MCL701/751#01

■ SPECIFICATIONS

Item		Specification		
		FTP-628MCL701/751#01		
Item		Conforms to RS232C/USB		
Operating Voltage	For print head		4.2 VDC to 8.5 V, average current 0.87A (0.98), peak value Printing ratio: 12.5%, printing speed 500mm/sec. at 7.2V	
	For motor		4.2 VDC to 8.5 V, 1 A maximum	
	For logic		3.0 to 5.25 VDC, 0.1 A maximum	
Dimensions	Printer	701	67.5 x 20 x 31.5 mm (WxDxH)	
	mechanism	751	67.5 x 19.8 x 32.5 mm (WxDxH)	
	Interface board		70 x 52 x 20 mm (WxDxH)	
Weight	Printer	701	Approximately 40g	
	mechanism	751	Approximately 46g	
	Interface board		Approximately 22g	
Head life			Pulse resistance: 100 million pulses/dot (under our standard conditions). Abrasion resistance: paper traveling distance 50km (print ratio: 25% or less)	
Operating environment	Operating temperature*		0°C to +50°C	
	Operating humidity		20 to 85% RH (no condensation)	
	Storage temperature		-20°C to +60°C (paper not included)	
	Storage humidity		5 to 95% RH (no condensation)	
Detection function	Head temperature detection		Detected by thermistor	
	Paper out/mark detection		Detected by photo-interruptor	
Recommended thermal sensitive paper			High sensitive paper	TF50KS-E2 (Nippon paper)
			Standard paper	TF50KS-E2 (Nippon paper) PD150R (Oji paper) FTP-020P0701 (58mm)
			Medium life storage paper	TF60KS-F2 (Nippon paper) FTP-020P0102 (58mm) PD170R (Oji paper) AFP220VBB-1 (Mitsubishi paper)
			Long life storage paper	PD160R (Oji paper) AFP-235 (Mitsubishi paper) TP50KJ-R (Nippon paper) HA112AA (Nippon paper)

*+5°C to +40°C printing density assurance range (-25 to 70°C capability)

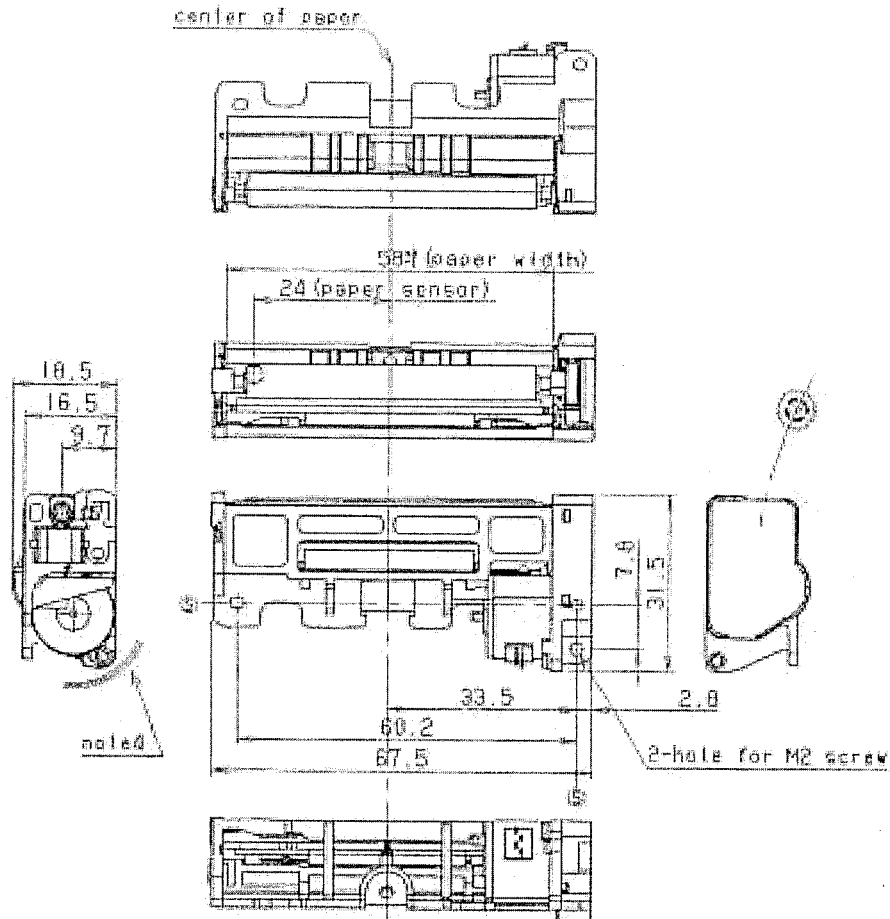
FTP-628MCL701/751#01

FUNCTION

Item	Item
1. Test print function	8. Mark detection function
2. Paper out detection	9. MCU operation abnormality detection
3. Paper near end detection	10. Power ON/OFF sequence protection
4. Thermal head temperature abnormality detection	11. Motor over-current protection
5. Blow-out fuse detection	12. Hardware timer
6. Head voltage abnormality detection	
7. Motor power saving function	

DIMENSIONS

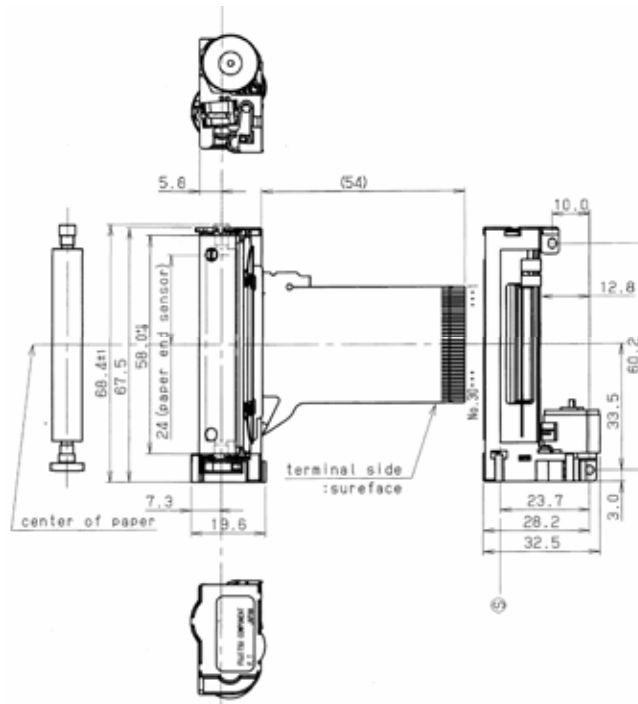
FTP-628MCL701



FTP-628MCL701/751#01

■ DIMENSIONS

FTP-628MCL751#01



Notes:

1. The dimensions tolerance is $\pm 0.5\text{mm}$ unless specified.
2. Dimensions in parenthesis are reference dimensions.
3. $\text{\textcircled{S}}$ shows the platen center line.

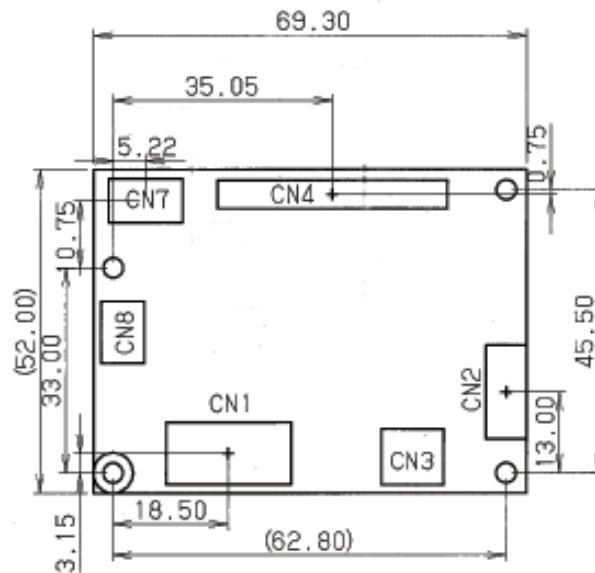


Fig-2 コネクタ配置図

FTP-628MCL701/751#01

■ PRINTER CONNECTOR (FLEXIBLE PT BOARD) PIN ARRAYS FTP-628 MCL701

Thermal head, control circuit side connector: 52610-3090 or 3071 Molex or equivalent product

No	Signal	I/O	Contents
1	PHK	—	Cathode for photo interruptor
2	VSEN	I	Paper sensor power
3	PHE	O	Emittor for photo interruptor
4	MT B	I	Stepping motor excitation signal
5	MT \bar{B}	I	
6	MT A	I	
7	MT \bar{A}	I	
8	VH	I	Power supply for thermal head
9	VH	I	
10	DI	I	Data in
11	CLK	I	Synchronous clock for communication
12	GND	—	Ground power supply for thermal head
13	GND	—	
14	STB6	I	Thermal head energizing control signal
15	STB5	I	
16	STB4	I	
17	Vdd	I	Logic power
18	TH	O	Thermally sensitive resistor input termnial 1
19	TH	O	Thermally sensitive resistor input termnial 2
20	STB3	I	Thermal head energizing control signal
21	STB2	I	
22	STB1	I	
23	GND	—	Ground power supply for thermal head
24	GND	—	
25	\bar{LAT}	I	Data latch
26	DO	O	Data out
27	VH	I	Power supply for thermal head
28	VH	I	
29	N.C.	-	Not connected
30	N.C.	-	

Do not plug or unplug the FPC when power is on.

■ PRINTER CONNECTOR (FLEXIBLE PT BOARD) PIN ARRAYS FTP-628 MCL751#01

Thermal head, control circuit side connector: 52610-3090 or 3071 Molex or equivalent product

No	Signal	I/O	Contents
1	PHK	—	Cathode for photo interruptor
2	VSEN	I	Paper sensor power
3	PHE	O	Emitter for photo interruptor
4	N.C.	—	Not connected
5	N.C.	—	Not connected
6	VH	I	Head drive power
7	VH	I	
8	DIN	I	Data in
9	CLK	I	Synchronous clock for communication
10	GND	—	Ground power supply for thermal head
11	GND	—	
12	STB6	I	Thermal head energizing control signal
13	STB5	I	
14	STB4	I	
15	VDD	I	Logic power
16	TH	O	Thermally sensitive resistor input terminal 1
17	TH	O	Thermally sensitive resistor input terminal 2
18	STB3	I	Thermal head energizing control signal
19	STB2	I	
20	STB1	I	
21	GND	—	Ground power supply for thermal head
22	GND	—	
23	$\overline{\text{LAT}}$	I	Data latch
24	DO	O	Data out
25	VH	I	Power supply for thermal head
26	VH	I	
27	MT A	I	Stepping motor excitation signal
28	$\overline{\text{MT A}}$	I	
29	MT B	I	
30	$\overline{\text{MT B}}$	I	

Contact

Japan FUJITSU COMPONENT LIMITED Shinagawa Seaside Park Tower 12-4, Higashi-shinagawa 4-chome, Tokyo 140 0002, Japan Tel: (81-3) 3450-1682 Fax: (81-3) 3474-2385 Email: fcl-contact@cs.jp.fujitsu.com Web: www.fujitsu.com/jp/group/fcl/en/	Europe FUJITSU COMPONENTS EUROPE B.V. Diamantlaan 25 2132 WV Hoofddorp Netherlands Tel: (31-23) 5560910 Fax: (31-23) 5560950 Email: info@fceu.fujitsu.com Web: emea.fujitsu.com/components/	China FUJITSU ELECTRONIC COMPONENTS (SHANGHAI) CO., LTD. Unit 4306, InterContinental Center 100 Yu Tong Road, Shanghai 200070, China Tel: (86 21) 3253 0998 /Fax: (86 21) 3253 0997 Email: fcal@sg.fujitsu.com www.fujitsu.com/sg/products/devices/ components/	Korea FUJITSU COMPONENTS KOREA, LTD. Alpha Tower #403, 645 Sampyeong-dong, Bundang-gu, Seongnam-si, Gyeonggi-do, 13524 Korea Tel: (82 31) 708-7108 Fax: (82 31) 709-7108 Email: fcal@sg.fujitsu.com www.fujitsu.com/sg/products/ devices/components/
North and South America FUJITSU COMPONENTS AMERICA, INC. 2290 North First Street, Suite 212 San Jose, CA 95131 U.S.A. Tel: (1-408) 745-4900 Fax: (1-408) 745-4970 Email: components@us.fujitsu.com Web: http://us.fujitsu.com/components/	Asia Pacific FUJITSU COMPONENTS ASIA, Ltd. 102E Pasir Panjang Road #01-01 Citilink Warehouse Complex, Singapore 118529 Tel: (65) 6375-8560 / Fax: (65) 6273-3021 Email: fcal@sg.fujitsu.com www.fujitsu.com/sg/products/devices/ components/	Hong Kong FUJITSU COMPONENTS HONG KONG Co., Ltd. Room 06, 28/F, Greenfield Tower, Concordia Plaza, No.1 Science Museum Road, Tsim Sha Tsui East, Kowloon, Hong Kong Tel: (852) 2881 8495 Fax: (852) 2894 9512 Email: fcal@sg.fujitsu.com www.fujitsu.com/sg/products/devices/ components/	

Copyright

All trademarks or registered trademarks are the property of their respective owners. Fujitsu Components America or its affiliates do not warrant that the content of datasheet is error free. In a continuing effort to improve our products Fujitsu Components America, Inc. or its affiliates reserve the right to change specifications/datasheets without prior notice. Copyright ©2017 Fujitsu Components America, Inc. All rights reserved. Revised JUNE 21, 2017