

# BATTERY DRIVE, FTP-608 Series

## 2" HIGH SPEED THERMAL PRINTER

### FTP-628MCL113#01, Easy Load & Mount Method

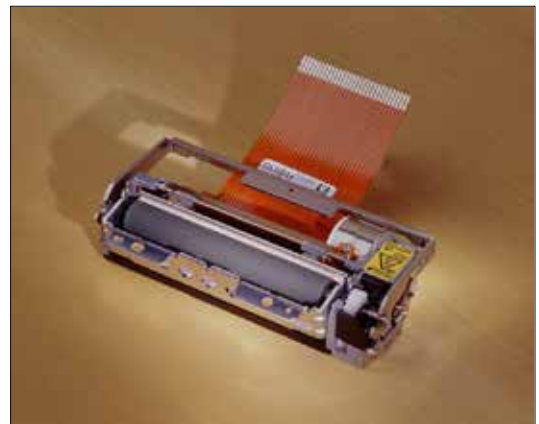
#### ■ OVERVIEW

The easy loading FTP-608 MCL Series is ultra compact high speed, battery driven thermal printer, printing on 2-inch wide paper (58mm) where platens are removable. Our unique platen removal mechanism improved paper loading and maintenance.

The FTP-608 MCL series can be used for a variety of applications, such as portable terminals, POS, ticket issuing terminals, label printers, banking terminals, and measurement and medical equipment.

#### ■ HIGHLIGHTS

- **Easy loading type**  
Our original platen removal mechanism improved paper loading and maintenance.
- **Easy mounting platen**  
The platen unit bracket allows attachment to cover with screws.
- **Ultra compact**  
Height 15.5 mm, width 75 mm, depth 33.4 mm for the 2 inch model, excluding platen unit.
- **High speed printing**  
It can print at 80 mm/s (640 dotlines/s) maximum by using Fujitsu's unique head drive control.
- **High resolution printing**  
8 dots/mm of resolution printing is possible.
- **RoHS compliant**



# FTP-628MCL113#01

## ■ PART NUMBERS

Item		Part Number
Printer mechanism		FTP-628MCL113#01 (with platen bracket and platen open detect switch)
LSI for driving		FTP-628CU301R (ANK only) FTP-628CU601R
Interface Board	Parallel	FTP-628DCL300R (Centronics)
	Serial	FTP-628DSL305R (RS 232C)
	USB	FTP-628DSL602R (V 2.0)
Interface Cables	Parallel	FTP-628Y202
	Serial	FTP-628Y302
	USB	FTP-629Y301
Power cable	Head, motor, logic	FTP-628Y402

## ■ SPECIFICATIONS

Item	Specifications
Part number	FTP-628MCL113#01
Printing method	Thermal-line dot method
Dot structure	384 dots/line
Dot pitch (Horizontal)	0.125 mm (8 dots/mm)—Dot density
Dot pitch (Vertical)	0.125 mm (8 dots/mm)—Line feed pitch
Effective printing area	48 mm
Number of columns	ANK 32 columns/line (maximum 12x 24 dot font)
Paper width	58 mm <sup>+0</sup> <sub>-1</sub>
Paper thickness	60 to 100 μm (some paper in this range may not be used because of paper characteristics)
Printing Speed	Maximum 80mm/sec. (640 dot line/sec.) at 8.5V
Character types	Alphanumeric, katakana: 159 types International and special characters: 195 types JIS Kanji level 1, level 2, non-Kanji (supported only when Kanji CG is mounted): about 6800 types
Character, dimensions (H×W), number of columns	12 × 24 dots, (1.5 × 3.0mm), 32 columns: ANK 24 × 24 dots, (3.0 × 3.0mm), 16 columns: ANK, Kanji 8 × 16 dots, (1.0 × 2.0 mm), 48 columns: ANK 16 × 16 dots, (2.0 × 2.0 mm), 24 columns: ANK, Kanji

# FTP-628MCL113#01

## ■ SPECIFICATIONS

Item		Specification	
		FTP-628MCL113#01	
Interface		Conforms to RS232C / Centronics	
Operating Voltage	For print head	4.2 VDC to 8.5 V, average current 0.87A (0.93), peak value Printing ratio: 12.5%, printing speed 50mm/sec. at 7.2 V	
	For motor	4.2 VDC to 8.5 V, 1 A maximum	
	For logic	3.0 to 5.25 VDC $\pm$ 5%, 0.1 A maximum	
Dimensions (WxDxH)	Printer mechanism	74.7 x 33.4 x 15.5 mm (with platen set)	
	Interface board	69.3 x 52 x 15 mm	
Weight	Printer mechanism	Approximately 46g	
	Interface board	Approximately 20g	
Head life		Pulse resistance: 100 million pulses/dot (under our standard conditions). Abrasion resistance: paper traveling distance 50km (print ratio: 25% or less)	
Operating environment	Operating temperature*	0° C to +50° C	
	Operating humidity	20 to 85% RH (no condensation)	
	Storage temperature	-20° C to +60° C (paper not included)	
	Storage humidity	5 to 90% RH (no condensation)	
Detection function	Head temperature detection	Detected by thermistor	
	Paper out/mark detection	Detected by photo-interrupter	
	Platen open/close	Slide switch	
Recommended thermal sensitive paper		High sensitive paper:	TF50KS-E4 (Nippon Paper)
		Standard paper:	TK50KS-E (Nippon Paper) PD150R (Oji Paper) FTP-020P0701 (58mm)
		Medium life storage paper:	TK60KS-F1 (Nippon Paper) FTP-020P0102 (58mm) PD170R (Oji Paper) AFP220VBB-1 (Mitsubishi Paper)
		Long life storage paper:	PD160R-N (Oji Paper) AFP-235 (Mitsubishi Paper) TP50KJ-R (Nippon Paper) HA112AA (Nippon Paper)

\*+5°C to +40°C printing density assurance range (-25 to 70°C capability)

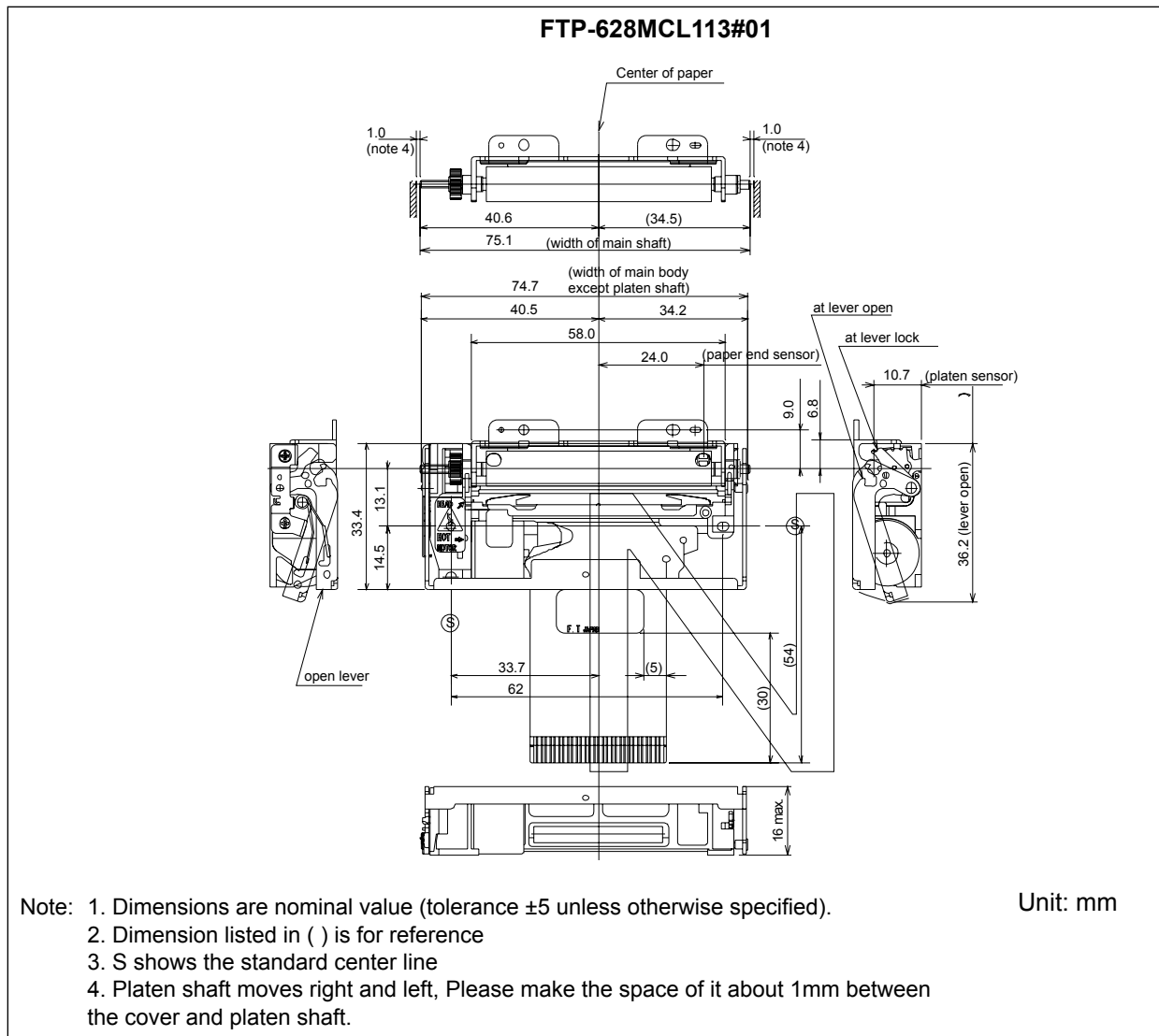
# FTP-628MCL113#01

## FUNCTION

Item	Item
1. Test print function	8. Mark detection function
2. Paper out detection	9. MCU operation abnormality detection
3. Paper near end detection	10. Power ON/OFF sequence protection
4. Thermal head temperature abnormality detection	11. Motor over-current protection
5. Blow-out fuse detection	12. Hardware timer
6. Head voltage abnormality detection	
7. Motor power saving function	

## DIMENSIONS

### 1. Printer mechanism



## ■ PRINTER CONNECTOR (FLEXIBLE PT BOARD) PIN ARRAYS FTP-628 MCL113#01

Thermal head, control circuit side connector: 52610-3071 Molex or equivalent product

No	Signal	I/O	Contents
1	PHK	—	Cathode for photo interruptor
2	VSEN	I	paper sensor power
3	PHE	O	Emittor for photo interruptor
4	SW1	—/I	Platen release switch
5	SW2	—/I	Platen release switch
6	VH	I	Head drive power
7	VH	I	
8	DIN	I	Data in
9	CLK	I	Synchronous clock for communication
10	GND	—	Ground power supply for thermal head
11	GND	—	
12	STB6	I	Thermal head energizing control signal
13	STB5	I	
14	STB4	I	
15	VDD	I	Logic power
16	TH	O	Thermally sensitive resistor input terminal 1
17	TH	O	Thermally sensitive resistor input terminal 2
18	STB3	I	Thermal head energizing control signal
19	STB2	I	
20	STB1	I	
21	GND	—	Ground power supply for thermal head
22	GND	—	
23	$\overline{\text{LAT}}$	I	Data latch
24	DO	O	Data out
25	VH	I	Power supply for thermal head
26	VH	I	
27	MT A	I	Stepping motor excitation signal
28	$\overline{\text{MT A}}$	I	
29	MT B	I	
30	$\overline{\text{MT B}}$	I	

Do not plug or unplug the FPC when power is on.

---

## Contact

### Japan

FUJITSU COMPONENT LIMITED  
Shinagawa Seaside Park Tower  
12-4, Higashi-shinagawa 4-chome,  
Tokyo 140 0002, Japan  
Tel: (81-3) 3450-1682  
Fax: (81-3) 3474-2385  
Email: fcl-contact@cs.jp.fujitsu.com  
Web: www.fujitsu.com/jp/group/fcl/en/

### North and South America

FUJITSU COMPONENTS AMERICA, INC.  
2290 North First Street, Suite 212  
San Jose, CA 95131 U.S.A.  
Tel: (1-408) 745-4900  
Fax: (1-408) 745-4970  
Email: components@us.fujitsu.com  
Web: http://us.fujitsu.com/components/

### Europe

FUJITSU COMPONENTS EUROPE B.V.  
Diamantlaan 25  
2132 WV Hoofddorp  
Netherlands  
Tel: (31-23) 5560910  
Fax: (31-23) 5560950  
Email: info@fceu.fujitsu.com  
Web: emea.fujitsu.com/components/

### Asia Pacific

FUJITSU COMPONENTS ASIA, Ltd.  
102E Pasir Panjang Road  
#01-01 Citilink Warehouse Complex,  
Singapore 118529  
Tel: (65) 6375-8560 / Fax: (65) 6273-3021  
Email: fcal@sg.fujitsu.com  
www.fujitsu.com/sg/products/devices/  
components/

### China

FUJITSU ELECTRONIC COMPONENTS  
(SHANGHAI) CO., LTD.  
Unit 4306, InterContinental Center  
100 Yu Tong Road, Shanghai 200070, China  
Tel: (86 21) 3253 0998 /Fax: (86 21) 3253 0997  
Email: fcal@sg.fujitsu.com  
www.fujitsu.com/sg/products/devices/  
components/

### Hong Kong

FUJITSU COMPONENTS HONG KONG Co., Ltd.  
Room 06, 28/F, Greenfield Tower, Concordia  
Plaza, No.1 Science Museum Road,  
Tsim Sha Tsui East, Kowloon, Hong Kong  
Tel: (852) 2881 8495 Fax: (852) 2894 9512  
Email: fcal@sg.fujitsu.com  
www.fujitsu.com/sg/products/devices/  
components/

### Korea

FUJITSU COMPONENTS KOREA, LTD.  
Alpha Tower #403,  
645 Sampyeong-dong,  
Bundang-gu, Seongnam-si,  
Gyeonggi-do, 13524 Korea  
Tel: (82 31) 708-7108  
Fax: (82 31) 709-7108  
Email: fcal@sg.fujitsu.com  
www.fujitsu.com/sg/products/  
devices/components/

---

## Copyright

All trademarks or registered trademarks are the property of their respective owners. Fujitsu Components America or its affiliates do not warrant that the content of datasheet is error free. In a continuing effort to improve our products Fujitsu Components America, Inc. or its affiliates reserve the right to change specifications/datasheets without prior notice. Copyright ©2017 Fujitsu Components America, Inc. All rights reserved. Revised March 15, 2017

---