

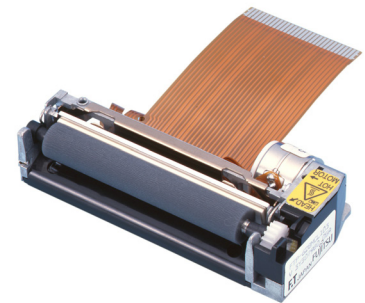
FUJITSU Component Thermal Printer FTP-628MCL101#80/103#80 series

Fujitsu 2" high speed (up to 80mm/s) thermal printer mechanisms

Overview

The ultra compact, high speed FTP-628MCL101#80/103#80 utilize 2" paper width (58mm) and provide a removable platen allowing for easy paper loading and maintenance.

The specially design platen roller allows the FTP-628MCL101#80/103#80 to be used for liner-less label applications in addition to it's normal receipt style applications like portable terminals, POS, ticket issuing terminals, banking, test and measurement and medical equipment.



FTP-628MCL103#80

Features

- **High-speed printing**
It can print up to 80mm/s (640 dotlines/s) maximum by using Fujitsu Components' unique head drive control
- **Easy loading type**
Fujitsu Components' unique platen release mechanism allows for a straight paper path and easy head maintenance
- **Liner-less label print**
Special platen roller prevents sticking by liner-less labels.
- **Ultra compact**
Depth: 33.0mm, width: 70.2mm, height: 15.5mm
- **High resolution**
8 dots/mm head provides clear print
- **RoHS compliant**

■ Part numbers

Item	Part Numbers	
Printer mechanism	FTP-628MCL101#80 without platen detect switch FTP-628MCL103#80 with platen detect switch	
LSI for driving	FTP-628CU311 *1	
Interface board*2	Serial/USB	FTP-628DSL311 *2
	Serial/USB	FTP-628DSL312 *2
Interface cable	Serial	FTP-628Y302
	USB	FTP-629Y301#01
Power supply cable	Logic, head, motor	FTP-628Y403

*1: Applied energy is set for standard paper by default. Please adjust applied energy by energy adjustment command in the LSI when using with liner-less label.

*2: Please see page 3 for basic interface board information. More detailed information can be obtained from your local Fujitsu sales representative.

■ Specifications

Item	Specifications	
Part number	FTP-628MCL101#80	FTP-628MCL103#80
Printing method	Thermal sensitive line dot method	
Dot structure	384 dots/lines	
Dot pitch (horizontal)	0.125mm (8 dots/mm) - Dot density	
Dot pitch (vertical)	0.125mm (8 dots/mm) - Line feed pitch	
Effective printing area	48mm	
Paper width	58mm +0/-1	
Paper thickness	60-100µm (some paper in this range may not be used because of paper characteristics)	
Printing speed	Max. 80mm/s (640 dot lines/s) at 9.5V	
Power	For head	4.2VDC to 9.5VDC, 2.4A, at 25°C, concurrent applied dots: 64 dots, Rav=176Ω
	For printer motor	4.2VDC to 9.5VDC, 0.75A maximum (average 0.56A)
	For logic	3.3VDC±10% or 5VDC±10%, 0.1A maximum
Dimensions (WxDxH)	Printer mechanism	70.2 x 33.0 x 15.5mm
Weight	Printer mechanism	Approx. 40.2g
Expected life	Head	Pulse durability: 100 million pulse/dot (using Fujitsu Components' standard driving method)
		Wear resistance: 50km (at 25% or less print ratio)
Environmental conditions	Operating temperature*	0°C to +50°C
	Operating humidity	20 to 85% RH (no condensation)
	Storage temperature	-20°C to +60°C (excluding paper)
	Storage humidity	5 to 95% RH (no condensation)
Detection functions	Head temperature	By thermistor
	Paper out/Mark detect	By photointerrupter
	Platen release/rocker arm detection	-
		By mechanical switch
Recommended thermal sensitive paper	Linerless paper	E623-404-J002 (Nakagawa paper)

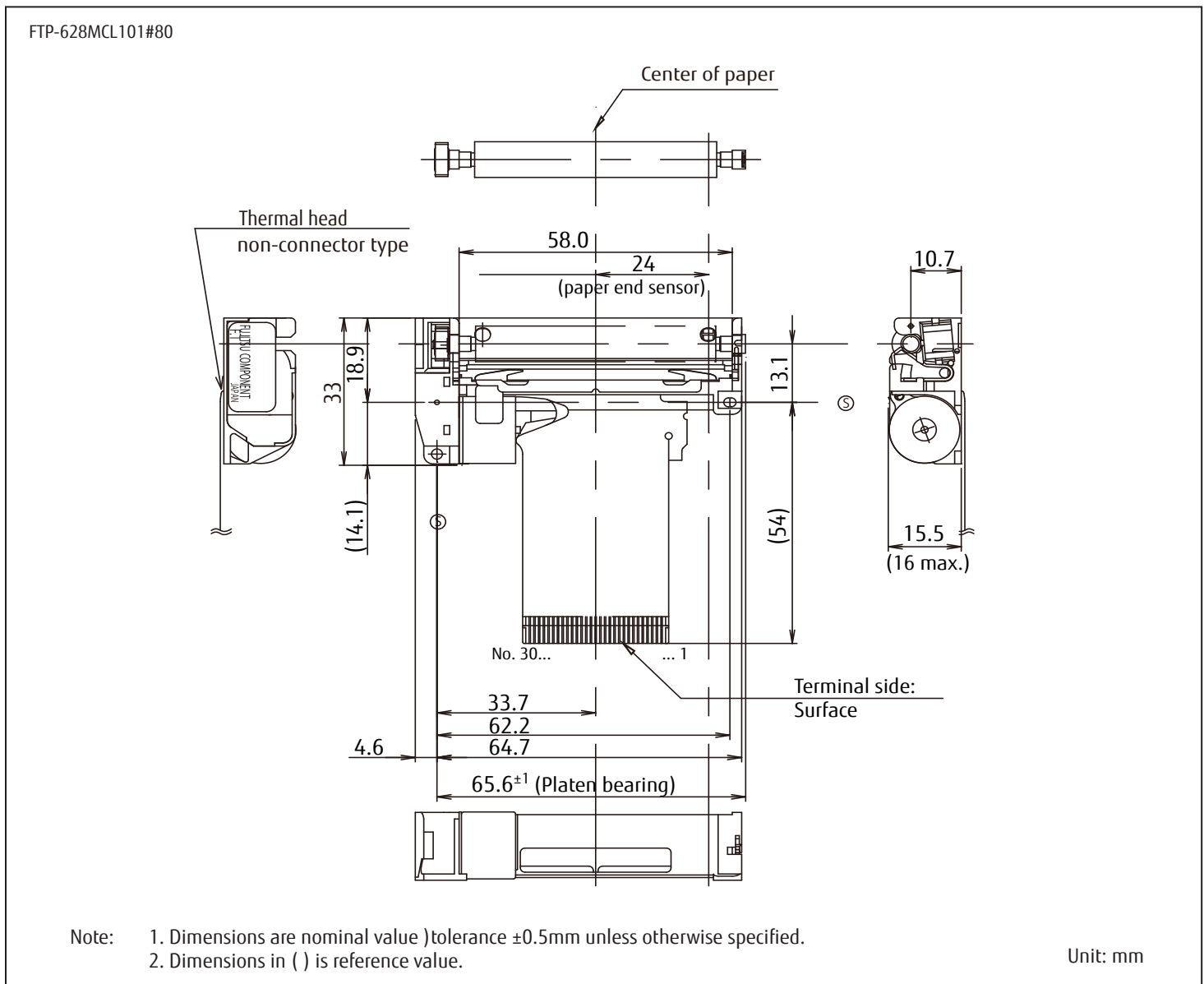
*: +5°C to 40°C printing density assurance range

■ Interface boards

Item	Specifications	
Part number	FTP-628DSL311	FTP-628DSL312
Power	4.2 to 9.5V	21.6 to 26.4V
Characteristic dimensions (W x H)	12 x 24 dots, 8 x 16 dots	
Character type	Alphanumeric, Kana, International and special, download character	
Interface	RS232C, USB	
Dimensions (W x D)	67.2 x 32 mm	

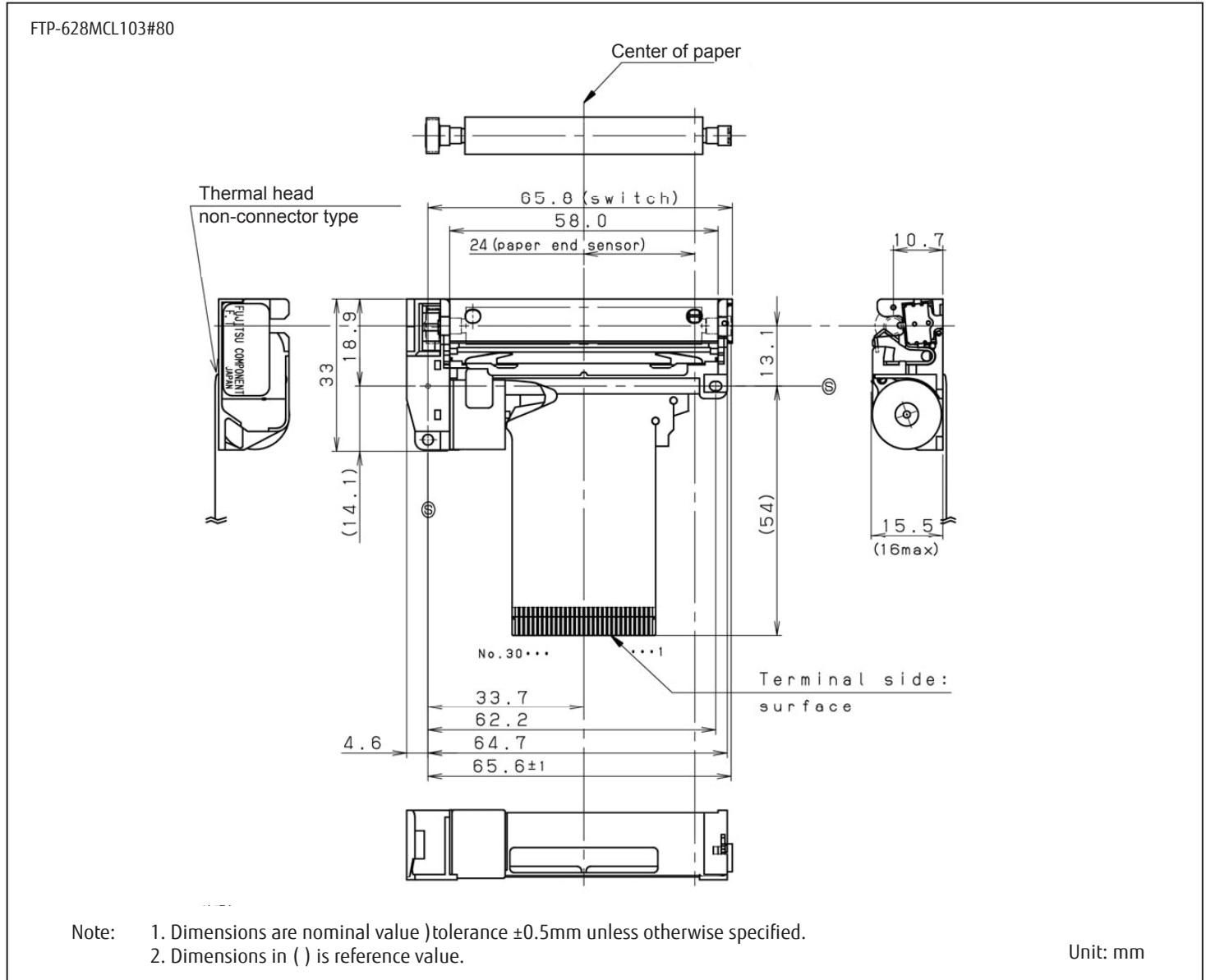
■ Dimensions

- Printer mechanism 2-inch



■ Dimensions

- Printer mechanism 2-inch



■ Connector pin assignments of printer mechanism (FPC)

No	Signal	Content	I/O	
			FTP-628MCL101#80	FTP-628MCL103#80
1	PHK	Cathode for photo interrupter	OUT	
2	VSEN	Paper sensor power	IN	
3	PHE	Emitter for photo interrupter	OUT	
4	SW	Platen release switch	-	OUT
5	SW	Platen release switch	-	OUT
6	COM	Head drive power	-	
7	COM	Head drive power	-	
8	SI	Data in	-	
9	CLK	Clock	IN	
10	GND	Head ground	-	
11	GND	Head ground	-	
12	STB6	Strobe6	IN	
13	STB5	Strobe5	IN	
14	STB4	Strobe4	IN	
15	VDD	Logic power	IN	
16	TM	Head thermistor	OUT	
17	TM	Head thermistor	OUT	
18	/STB3	/Strobe3	IN	
19	/STB2	/Strobe2	IN	
20	/STB1	/Strobe1	IN	
21	GND	Head ground	-	
22	GND	Head ground	-	
23	/LAT	/Data latch	IN	
24	SO	Data out	-	
25	COM	Head drive power	-	
26	COM	Head drive power	-	
27	MT_A	Excitation signal A	SINK/SOURCE	
28	MT_/A	Excitation signal /A	SINK/SOURCE	
29	MT_B	Excitation signal B	SINK/SOURCE	
30	MT_/B	Excitation signal /B	SINK/SOURCE	

Contact

Japan

FUJITSU COMPONENT LIMITED
Shinagawa Seaside Park Tower
12-4, Higashi-shinagawa 4-chome,
Tokyo 140 0002, Japan
Tel: (81-3) 3450-1682
Fax: (81-3) 3474-2385
Email: fcl-contact@cs.jp.fujitsu.com
Web: www.fujitsu.com/jp/group/fcl/en/

Europe

FUJITSU COMPONENTS EUROPE B.V.
Diamantlaan 25
2132 WV Hoofddorp
Netherlands
Tel: (31-23) 5560910
Fax: (31-23) 5560950
Email: info@fceu.fujitsu.com
Web: emea.fujitsu.com/components/

China

FUJITSU ELECTRONIC COMPONENTS
(SHANGHAI) CO., LTD.
Unit 4306, InterContinental Center
100 Yu Tong Road, Shanghai 200070, China
Tel: (86 21) 3253 0998 /Fax: (86 21) 3253 0997
Email: fcsh@cn.fujitsu.com
www.fujitsu.com/cn/products/devices/
components/

Korea

FUJITSU COMPONENTS KOREA, LTD.
Alpha Tower #403,
645 Sampoong-dong,
Bundang-gu, Seongnam-si,
Gyeonggi-do, 13524 Korea
Tel: (82 31) 708-7108
Fax: (82 31) 709-7108
Email: fcal@sg.fujitsu.com
www.fujitsu.com/sg/products/
devices/components/

North and South America

FUJITSU COMPONENTS AMERICA, INC.
1230 E. Arques Ave., MS 160
Sunnyvale, CA 94085 U.S.A.
Tel: (1-408) 745-4900
Fax: (1-408) 745-4970
Email: components@us.fujitsu.com
Web: http://us.fujitsu.com/components/

Asia Pacific

FUJITSU COMPONENTS ASIA, Ltd.
102E Pasir Panjang Road
#01-01 Citilink Warehouse Complex,
Singapore 118529
Tel: (65) 6375-8560 / Fax: (65) 6273-3021
Email: fcal@sg.fujitsu.com
www.fujitsu.com/sg/products/devices/
components/

Hong Kong

FUJITSU COMPONENTS HONG KONG Co., Ltd.
Room 06, 28/F, Greenfield Tower, Concordia
Plaza, No.1 Science Museum Road,
Tsim Sha Tsui East, Kowloon, Hong Kong
Tel: (852) 2881 8495 Fax: (852) 2894 9512
Email: fcal@sg.fujitsu.com
www.fujitsu.com/sg/products/devices/
components/

Copyright

All trademarks or registered trademarks are the property of their respective owners. Fujitsu Components America or its affiliates do not warrant that the content of datasheet is error free. In a continuing effort to improve our products Fujitsu Components America, Inc. or its affiliates reserve the right to change specifications/datasheets without prior notice. Copyright ©2020 Fujitsu Components America, Inc. All rights reserved. Revised October 27, 2020.
