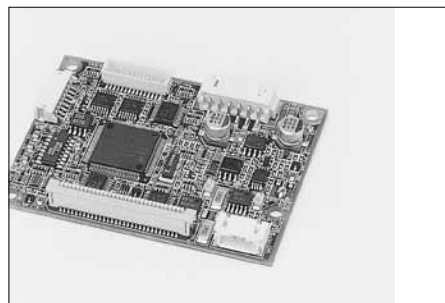


INTERFACE BOARDS FOR 24V

FTP-6X7DCL / DSL200 SERIES

■ HIGHLIGHTS

- 24V FTP-607 I/F board for mechanism and cutter
- Supports parallel or serial I/F
- Supports bar code and graphics
- Windows®2000/XP, Vista, Linux drivers
- UL File No. E171434
- RoHS compliant



■ PART NUMBERS

Part Number	Interface Type	Kanji Support	Drivers	Mechanism Part Number
FTP-627DCL201 <i>FTP-627DCL218*</i>	Parallel (Centronics)	without support support	Windows® 2000/XP, Vista, Linux	FTP-627MCL053 FTP-627MCL054 FTP-627MCL101/103 FTP-627MCL113 FTP-637MCL353#01, #02 FTP-637MCL354#01, #02
FTP-627DSL234 <i>FTP-627DSL238*</i>	Serial (RS-232C)	without support support		
FTP-637DCL201 <i>FTP-637DCL218*</i>	Parallel (Centronics)	without support support		
FTP-637DSL234 <i>FTP-637DSL238*</i>	Serial (RS-232C)	without support support		
				FTP-637MCL103

Note: * not for new design

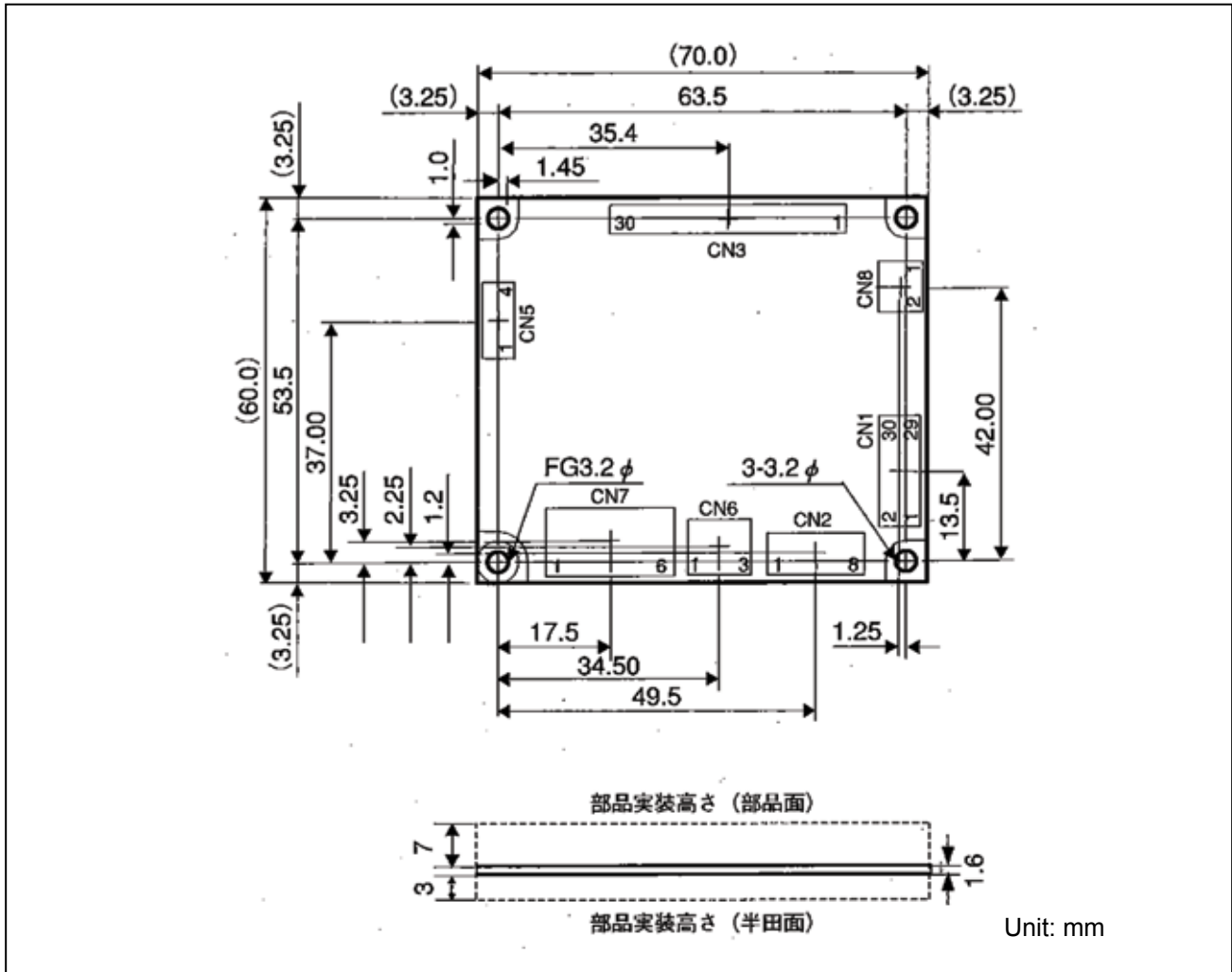
■ INTERFACE SPECIFICATION AT HOST SIDE

Item	Specifications
Centronics	Data speed: 28,000 bytes/sec. Synchronous method: Extended strobe pulse Handshake: BUSY/ACKNLG signal Input/output level: CMOS
RS-232C	Data speed: 19,200 / 9,600 bps Synchronous method: Full duplex Handshake: DTR/DSR, XON/XOFF control Input/output level: RS-232C

(1) DSW 1

Item	Bit No.	Set up status	Description
Serial interface baud rate setting	1	OFF ON	19200 bps 9600 bps
Communication mode setting	2	OFF ON	DTR/ DSR control XON/XOFF control
Receiver buffer size	3	OFF ON	4096 byte 45 byte
Parity use selection	4	OFF ON	No use of parity Use of parity

■ DIMENSIONS



1.2 Control circuit board connector types

Symbol	Name	Function	FTP-6X7 DCL218	FTP-6X7 DSL238
CN1	Parallel (Centronics)	Parallel (centronic)connection	O	X
CN2	Serial I/F (RS232-C)	Serial (RS-232C) connection	X	O
CN3	Head / motor	Head motor connection	O	O
CN5	Cutter	Cutter motor connection	O	O
CN6	Logic	Logic (+5V) connection	O	O
CN7	Power	Power connection	O	O
CN8	Near end	Near end switch connection	O	O

Notes: CN 4 is not mounted

CN8: detect switch is optional / user responsibility

■ INTERFACE

1. Centronics interface

(1) Connector (CN1)

Connector part number : BM30B-SRDS-G-TFC (JST) or equivalent

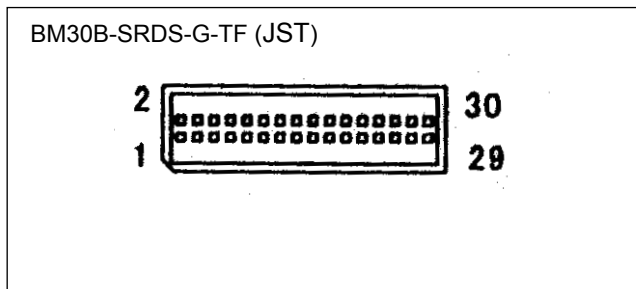
Mating connector part number : SHDR-30V-S-B (JST) or equivalent

(2) Connector pin assignment

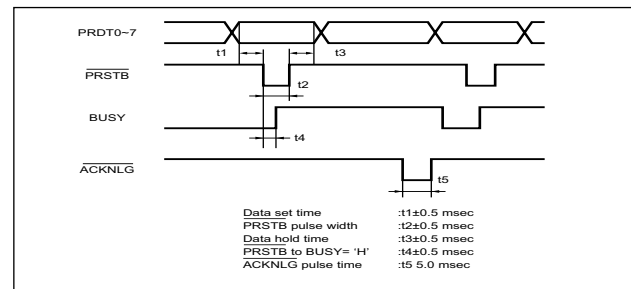
No.	Signal	I/O	Contents	No.	Signal	I/O	Contents
1	$\overline{\text{PRSTB}}$	I	Data strobe	2	$\overline{\text{PRSTB-RET}}$	—	Connected to logic GND
3	PRDT0	I	Data 0	4	PRDT0-RET	—	Connected to logic GND
5	PRDT1	I	Data 1	6	PRDT1-RET	—	Connected to logic GND
7	PRDT2	I	Data 2	8	PRDT2-RET	—	Connected to logic GND
9	PRDT3	I	Data 3	10	PRDT3-RET	—	Connected to logic GND
11	PRDT4	I	Data 4	12	PRDT4-RET	—	Connected to logic GND
13	PRDT5	I	Data 5	14	PRDT5-RET	—	Connected to logic GND
15	PRDT6	I	Data 6	16	PRDT6-RET	—	Connected to logic GND
17	PRDT7	I	Data 7	18	PRDT7-RET	—	Connected to logic GND
19	$\overline{\text{ACKNLG}}$	O	Data input acknowledge	20	$\overline{\text{ACKNLG-RET}}$	—	Connected to logic GND
21	BUSY	O	Busy	22	BUSY-RET	—	Connected to logic GND
23	RINF2	O	Printer status 2	24	$\overline{\text{INPRM-RET}}$	—	Connected to logic GND
25	$\overline{\text{SLCTIN}}$	I	Printer select	26	$\overline{\text{INPRM}}$	I	Reset
27	RINF1	O	Printer status 1	28	RINF3	O	Printer status 3
29	$\overline{\text{ATF}}$	I	Paper feed request	30	GND	—	Logic GND

- Notes:
- Symbol “—” means a negative logic signal.
 - “-RET” signal is a return signal of the twisted pair cable.
 - “I” or “O” means a signal direction from the interface board side.

(3) Connector pin number



(4) Data input signal timing



(5) Printer status signals

	Error status	RINF1	RINF2	RINF3
1.	Paper out	Low	High	Low
2.	Paper near end	High	High	Low
3.	Head up	High	Low	Low
4.	Head temperature abnormality	High	Low	High
5.	Head voltage abnormality	Low	High	High
6.	Hardware abnormality	High	High	High
7.	Mark detection abnormality	Low	Low	Low
8.	Normal	Low	Low	High

2. RS-232C

(1) Connector (CN2)

Connector part number : S8B-ZR-SM4A-TF (J.S.T.) or equivalent

Mating connector part number : ZHR-8 (J.S.T.) or equivalent

(2) Connector pin assignment

No	Signal	I/O	Contents No.	No	Signal	I/O	Contents No.
1	RD		Receive data	2	TD	O	Transmission data
3	DTR	O	Data terminal ready	4	GND	-	Signal ground
5	DSR		Data set ready	6	$\overline{\text{SLCTN}}$		Printer Select
7	$\overline{\text{INPRM}}$		Reset	8	$\overline{\text{ATF}}$		Paper feed request

Notes:

- Symbol “ $\overline{\quad}$ ” means a negative logic signal.
- “I” or “O” means a signal direction from the interface board side.

■ **CONNECTOR PIN ASSIGNMENT OF MECHANISM (FPC)**

1. Thermal Head (CN 3)

Part number : 52610-3071 Molex or equivalent

FTP-627MCL103 PIN ASSIGNMENT

FTP-637MCL103 PIN ASSIGNMENT

see table below

No	Signal	I/O	Contents
1	PHK	—	LED
2	VSEN	—	Ground power supply for paper sensor
3	PHE	O	Paper out detection signal
4	SW	—	Platen open detection signal
5	SW	—	Platen open detection signal
6	VH	—	Power supply for thermal head
7	VH	—	
8	VH	—	
9	DI	I	Print data in signal
10	STB3	O	Print enable 3
11	VDD	—	Power for thermal head
12	TM	I	Thermistor
13	GND	—	Ground power supply for thermal head
14	GND	—	
15	GND	—	
16	GND	—	
17	GND	—	
18	GND	—	
19	STB1	O	Print enable 1
20	STB2	O	Print enable 2
21	LAT	O	Print data latch signal
22	CLK	O	Clock signal
23	NC	—	Not connected
24	VH	—	Power supply for thermal head
25	VH	—	
26	VH	—	
27	MT/Ā	I	Stepping motor excitation signal
28	MT/A	I	
29	MT/B̄	I	
30	MT/B	I	

No	Signal	I/O	Contents
11	STB4	-	Print enable 4
12	VDD	I	Power for logic
19	TM	O	Thermistor
20	STB1	O	Print enable 1
21	STB2	O	Print enable 2
22	LAT	O	Print data latch
23	CLK	I	Clock signal

■ INTERFACE BOARD CONNECTOR PIN ASSIGNMENT

1. Connector for cutter (CN5)

Connector part number : B4B-PH-SM3-TB (J.S.T) or equivalent (board side)

Mating connector part number: PHR-4 (J.S.T) or equivalent (board side)

No.	Signal	I/O	Contents No.	No.	Signal	I/O	Contents No.
1	CHP	I	Cutter home position signal	2	GND (+5V)	-	Ground of logic power
3	MT+	-	Cutter motor drive signal	4	MT-		Cutter motor drive signal

2. Connector for logic power supply (CN6)

Part number : S3B-PH-SM4-TB (J.S.T) or equivalent (board side)

Mating connector part number: PHR-3 (J.S.T) or equivalent (board side)

No.	Signal	I/O	Contents No.	No.	Signal	I/O	Contents No.
1	+5V	O	Power supply for logic	2	NC	-	No connection
3	GND	-	Ground				

3. Connector for power supply for head/motor (CN7)

Part number : S6B-XH-SM4-TB (J.S.T) or equivalent (board side)

Mating connector part number: XHR-6 (J.S.T) or equivalent (board side)

No.	Signal	I/O	Contents No.	No.	Signal	I/O	Contents No.
1	+24V	I	Power supply for head	2	+24V	I	Power supply for head
3	+24V	I	Power supply for head	4	GND	-	Ground
5	GND	-	Ground	6	GND	-	Ground

4. Connector for paper near-end sensor detection (CN8)

Part number : B2B-PH-SM4-TB (J.S.T) or equivalent (board side)

Mating connector part number: PHR-2 (J.S.T) or equivalent (board side)

No.	Signal	I/O	Contents No.	No.	Signal	I/O	Contents No.
1	+5V	O	Power supply for logic	2	$\overline{\text{NES}}$	I	Paper near-end detection signal

■ COMMANDS

Command	Contents
HT	Moves print position to the next tab.
LF	Line feed.
FF	Feeds forms (new page).
ESC EM+n	Setting the amount of the feeding at automatic paper feed.
ECS RS	Sets reverse printing.
ESC US	Resets reverse printing.
ESC ! + n	Sets print mode.
ESC % + n	External registration character specification/cancellation.
ESC &+y+c ₁ +c ₂ +x+d ₁ ~d _N	Download character definition.
ESC *+m+n ₁ +n ₂ +d ₁ ~d _N	Sets bit image mode.
ESC 2	Sets 1/6 inch line feed length.
ESC 3+n	Sets the line feed length.
ESC ? + n	External registration character deletion.
ESC @	Printer initialization.
ESC A+n	Sets the space between the line.
ESC C+n	Sets the page length by character line.
ESC D+d ₁ ~d _N +NUL	Sets the tab position.
ESC J+n	Feeds paper in forward direction and prints.
ESC K+n	Reverse paper feed.
ESC R +n	International character specification.
ESC V+n	Right rotation 90°.
ESC X+m+n	Setting the turning time of the motor excitation.
ESC c+1+n	Sets internal processing (including auto paper loading).
ESC d+n	Printing and n-line feeding.
ESC e	Prints and reverse feeds n-lines.
ECS s+n	Sets printing speed.
ECS t+n	Character code table selection.
ESC {+n	Sets/resets upside down printing.

Commands continued

Command	Contents
FS !+n	Kanji printing mode collective specification.
FS &	Kanji printing mode specification.
FS *+m+n ₁ +n ₂ +d ₁ ~d _N	High speed collective image printing specified.
FS*m+n ₁ +n ₂ +d ₁ ~d _N	Prints image data on SRAM.
FS .	Kanji printing mode cancellation.
FS 9+n	Detection function enable/disable setting.
FS C+n	Kanji code system selection.
FS E+n	Correction of impressed energy.
FS W+n	Kanji double height and width mode specification/cancellation.
GS &+m+x+y ₁ +y ₂ +d ₁ ~d _N	Registration of image data.
GS '+m+n	Prints registered image data.
GS <	Line feeds to the next mark.
GS A+m+n	Sets the line feed length after mark detection.
GS E+n	Sets print quality.
GS V+n+m	Paper cutting (for pending cutter models only).
GS e+n+m	Sets bar code width.
GS h+n	Sets bar code height.
GS k+m+n+d ₁ ~d _N	Selects bar code type and prints.
GS w+n	Sets bar code width magnification.
GS a+n	Setting and cancellation of auto status transmission. (Serial mode)
FS r+n	Parameter transmission. (Serial Mode)

■ OPTIONS

1. Cables

Name		Part Number	Length (mm)
Interface Cable (between board and equipment)	For Centronics (CN1)	FTP-628Y202	500 (19.7 inches)
	For RS232C (CN2)	FTP-628Y302	500 (19.7 inches)
Power supply cable	Logic (CN6)	FTP-629Y401	300 (11.8 inches)
	Head / motor (CN7)	FTP-629Y601	

2. Driver LSI of Control Board

Name	Part Number	Quantity / Tray	Remarks
MCU	FTP-627CU201	90	

3. Paper holder

Name	Part number
Paper Flange	FTP-040HF
Paper Stand	FTP-040HS

Fujitsu Components International Headquarter Offices

<p>Japan Fujitsu Component Limited Gotanda-Chuo Building 3-5, Higashigotanda 2-chome, Shinagawa-ku Tokyo 141 8630, Japan Tel: (81-3) 5449-7010 Fax: (81-3) 5449-2626 Email: promothq@fcl.fujitsu.com Web: www.fcl.fujitsu.com</p>	<p>Europe Fujitsu Components Europe B.V. Diamantlaan 25 2132 WV Hoofddorp Netherlands Tel: (31-23) 5560910 Fax: (31-23) 5560950 Email: info@fceu.fujitsu.com Web: emea.fujitsu.com/components/</p>
<p>North and South America Fujitsu Components America, Inc. 250 E. Caribbean Drive Sunnyvale, CA 94089 U.S.A. Tel: (1-408) 745-4900 Fax: (1-408) 745-4970 Email: components@us.fujitsu.com Web: http://us.fujitsu.com/components/</p>	<p>Asia Pacific Fujitsu Components Asia Ltd. 102E Pasir Panjang Road #01-01 Citilink Warehouse Complex Singapore 118529 Tel: (65) 6375-8560 Fax: (65) 6273-3021 Email: fcal@fcal.fujitsu.com Web: http://www.fujitsu.com/sg/services/micro/components/</p>

©2011 Fujitsu Components America, Inc. All rights reserved. All trademarks or registered trademarks are the property of their respective owners.

Fujitsu Components America or its affiliates do not warrant that the content of datasheet is error free. In a continuing effort to improve our products Fujitsu Components America, Inc. or its affiliates reserve the right to change specifications/datasheets without prior notice.
Rev. December 7, 2011.