

# 24V DRIVEN RECEIPT PRINTER UNIT 2" PRINTER UNIT

## FTP-622UCL510 / USL547

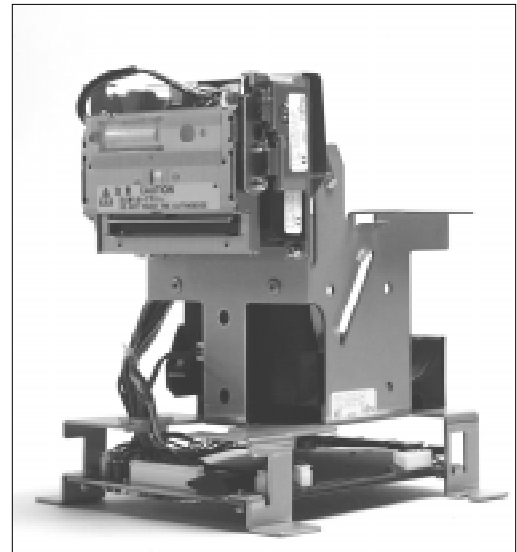
### ■ OVERVIEW

The FTP-622 UCL/USL Series is 24V driven receipt printer unit with cutter for 2 inch wide paper. The unit has our high-speed FTP-622 MCL mechanism, cutter and control board, with an integrated paper feed and built-in paper guide section.

The receipt printer unit is most suitable for applications such as POS, ATM, and receipt and ticket issuing printers for various other equipment.

### ■ FEATURES

- Unit supported (mounting is easy)
- High speed printer (80mm / sec.)
- Auto cutter included
- Paper near end-detection function
- Low power consumption



### ■ DESIGNATION

Item		Part number
Printer module Interface	Parallel (Centronics)	FTP-622UCL510 <sup>*1</sup>
	Serial (RS-232C)	FTP-622USL547 <sup>*2</sup>
Cables	Parallel interface	FTP-622Y201
	Serial interface	FTP-622Y301
	Power for head, motor and logic	FTP-622Y401

\*1: Interface board is FTP-622DCL111

\*2: Interface board is FTP-622DSL112

## ■ SPECIFICATIONS

Item		Specifications
Part number		FTP-622UCL510 <span style="float: right;">FTP-622USL547</span>
Printing method		Thermal-sensitive line dot method
Dot structure		448 dots/line
Dot pitch (Horizontal)		0.125 mm (8 dots/mm)—Dot density
Dot pitch (Vertical)		0.125 mm (8 dots/mm)—Line feed pitch
Effective printing area		56 mm
Paper width		58 <sup>+0</sup> <sub>-1</sub> mm
Paper thickness		60 to 100 μm
Cutting type		Full or partial
Number of columns		37 columns/line (24×12 dot font)
Maximum printing speed		640 dotlines/s (80 mm/s, 50mm/s, 30mm/s)
Character types		Alphanumeric KANA: 159 <span style="float: right;">International characters: 195</span> JIS KANJI (FTP-622DCL111, DSL112): approximately 6800
Character composition, dimensions (H×W), Number of characters		24 × 12 dots, (3.0 × 1.5 mm), 37 columns 24 × 24 dots, (3.0 × 3.0 mm), 18 columns 16 × 8 dots, (2.0 × 1.0 mm), 56 columns 16 × 16 dots, (2.0 × 2.0 mm), 28 columns
Interface		Parallel <span style="float: right;">Serial RS232C</span>
Power supply	For head	24VDC ± 5%, Voltage Current : average <sup>*1</sup> ( ): Peak 0.87 (1.16) A (at 80 mm/s printing speed, 25% printing ratio) 0.63 (1.16) A (at 50 mm/s printing speed, 25% printing ratio) 0.58 (0.58) A (at 30 mm/s printing speed, 25% printing ratio)
	For motor	24VDC ± 5%, 1.0 A maximum
	For cutter	
	For logic	5VDC ± 5%, 0.5 A maximum
Dimensions		130(W) × 144(D) × 170 (H) mm
Weight (Mechanism + Cutter)		Approximately 1 kg
Expected life	Mechanism	Pulse durability : 1 × 10 <sup>8</sup> pulse/dot (using Fujitsu Takamisawa's standard driving method) Wear resistance: 50 km (at 25% printing ratio)
	Cutter	300,000 cuts

(Continued)

(Continued)

Item		Specifications
Environmental conditions	Operating temperature	0 to +50°C*2
	Operating humidity	20 to 85% RH (no condensation)
	Storage temperature	-20 to +60°C (excluding paper)
	Storage humidity	5 to 95% RH (no condensation)
Detection	Head temperature	By thermistor (applied energy control, abnormal temperature detection)
	Paper out/Mark detect	By photointerrupter
	Head-up	By microswitch
	Near end paper	By mechanical switch
Recommended thermal sensitive paper		For front insertion use (58 mm width) : FTP-020P0701/P0102 Recommended papers · Oji Paper : PD150R,PD160R-N,PD170R · NIPPON Paper : TF50KS-E,TF60KS-E,TF50KS-E4 · MITSUBISHI Paper Mills : P220VBB-1,AFP-235

\*1: 24VDC, minimum head resistance.

\*2: Guarantee: +5°C to +40°C.

## ■ FUNCTIONS

Item	Item
1. Test print function	7. Head voltage abnormality detection
2. Paper out detection	8. Cutter abnormality detection
3. Paper near end detection	9. Motor power saving function
4. Head up detection	10. Mark detection function
5. Thermal head temperature abnormality detection	11. MCU operation abnormality detection
6. Blow-out fuse detection	12. Bar code

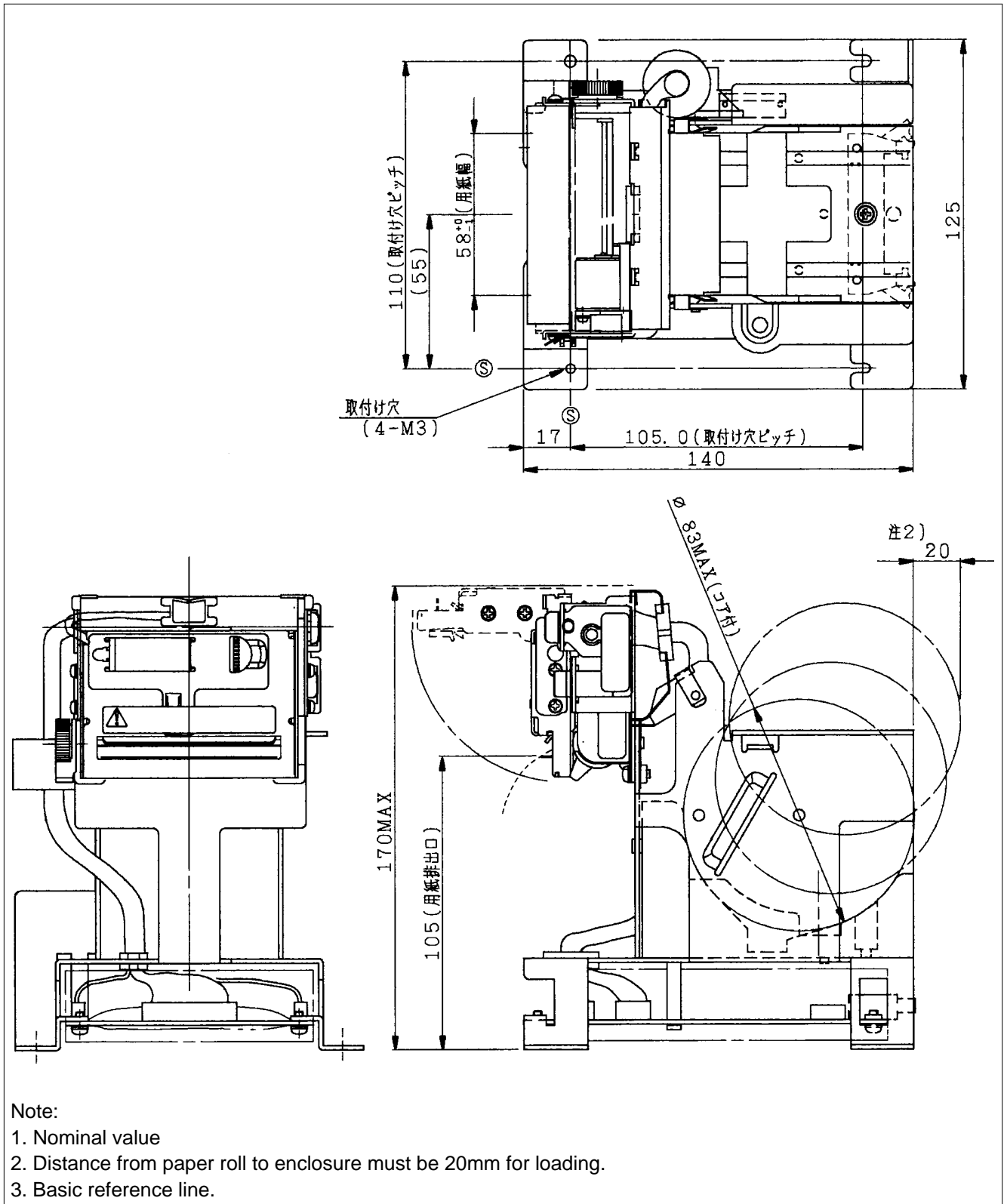
## ■ INTERFACE , COMMAND, OPTIONS

Please refer to the FTP-622DCL111 for the FTP-622UCL510, and the FTP-622DSL112 for the FTP-622DSL547.

Interface command options, please see FTP-622DCL/DSL datasheet.

## ■ DIMENSIONS

Integrated unit



## **Fujitsu Components International Headquarter Offices**

### **Japan**

Fujitsu Component Limited  
Gotanda-Chuo Building  
3-5, Higashigotanda 2-chome, Shinagawa-ku  
Tokyo 141, Japan  
Tel: (81-3) 5449-7010  
Fax: (81-3) 5449-2626  
Email: [promothq@ft.ed.fujitsu.com](mailto:promothq@ft.ed.fujitsu.com)  
Web: [www.fcl.fujitsu.com](http://www.fcl.fujitsu.com)

### **North and South America**

Fujitsu Components America, Inc.  
250 E. Caribbean Drive  
Sunnyvale, CA 94089 U.S.A.  
Tel: (1-408) 745-4900  
Fax: (1-408) 745-4970  
Email: [marcom@fcai.fujitsu.com](mailto:marcom@fcai.fujitsu.com)  
Web: [www.fcai.fujitsu.com](http://www.fcai.fujitsu.com)

### **Europe**

Fujitsu Components Europe B.V.  
Diamantlaan 25  
2132 WV Hoofddorp  
Netherlands  
Tel: (31-23) 5560910  
Fax: (31-23) 5560950  
Email: [info@fceu.fujitsu.com](mailto:info@fceu.fujitsu.com)  
Web: [www.fceu.fujitsu.com](http://www.fceu.fujitsu.com)

### **Asia Pacific**

Fujitsu Components Asia Ltd.  
102E Pasir Panjang Road  
#04-01 Citilink Warehouse Complex  
Singapore 118529  
Tel: (65) 6375-8560  
Fax: (65) 6273-3021  
Email: [fcal@fcal.fujitsu.com](mailto:fcal@fcal.fujitsu.com)  
[www.fcal.fujitsu.com](http://www.fcal.fujitsu.com)

© 2004 Fujitsu Components America, Inc. All company and product names are trademarks or registered trademarks of their respective owners. Rev. 11/15/2004.