

THERMAL PRINTER PAPER HOLDER

FTP-040HF/HS Holder Series

■ FEATURES

- This is a paper holder for 2-inch, 3-inch and 4-inch thermal printers, dedicated to specific thermo paper.
- With a structure having additional back tension, paper meandering is prevented and winding feed is decreased.
- This molded product, which is light and compact, is easy to handle.

■ SPECIFIED PAPER

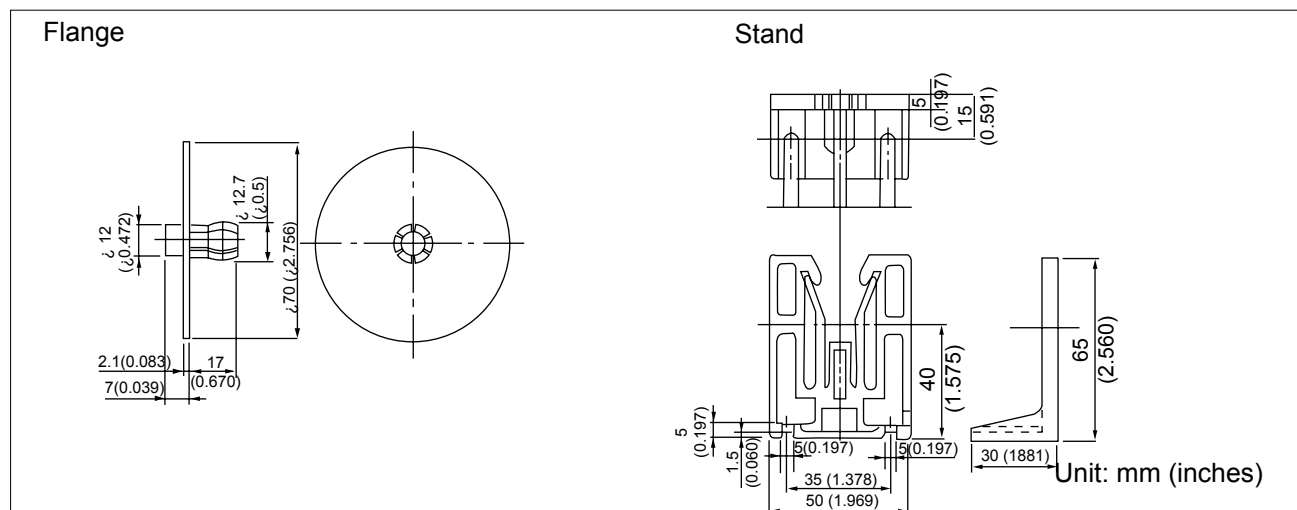
- This holder can be used for the following specified papers.



Ordering Part Number*		
FTP-020P0020	FTP-020PU00 1	FTP-020P00 1
FTP-030P0020	FTP-030PU00 1	
FTP-040P0020	FTP-040PU00 1	FTP-040P00 1

* Inner diameter of core: $\varnothing 12.5 \pm 0.5$ mm (0.492 \pm 0.02 inches);
outer diameter of roll: $\varnothing 56$ mm (2.205 inches) maximum of
specified thermo paper.

■ DIMENSIONS



FTP-040HF/HS Holder Series

■ ORDERING PART NUMBRS

Flange: FTP-040HF

Stand: FTP-040HS

Note: For normal use, one flange and one stand are required at the left and right respectively.

Fujitsu Components International Headquarter Offices

Japan

Fujitsu Component Limited
Gotanda-Chuo Building
3-5, Higashigotanda 2-chome, Shinagawa-ku
Tokyo 141 8630, Japan
Tel: (81-3) 5449-7010
Fax: (81-3) 5449-2626
Email: promothq@fcl.fujitsu.com
Web: www.fcl.fujitsu.com

North and South America

Fujitsu Components America, Inc.
250 E. Caribbean Drive
Sunnyvale, CA 94089 U.S.A.
Tel: (1-408) 745-4900
Fax: (1-408) 745-4970
Email: components@us.fujitsu.com
Web: <http://us.fujitsu.com/components/>

Europe

Fujitsu Components Europe B.V.
Diamantlaan 25
2132 WV Hoofddorp
Netherlands
Tel: (31-23) 5560910
Fax: (31-23) 5560950
Email: info@fceu.fujitsu.com
Web: emea.fujitsu.com/components/

Asia Pacific

Fujitsu Components Asia Ltd.
102E Pasir Panjang Road
#01-01 Citilink Warehouse Complex
Singapore 118529
Tel: (65) 6375-8560
Fax: (65) 6273-3021
Email: fcal@fcal.fujitsu.com
Web: <http://www.fujitsu.com/sg/services/micro/components/>

©2009 Fujitsu Components America, Inc. All rights reserved. All trademarks or registered trademarks are the property of their respective owners.

Fujitsu Components America or its affiliates do not warrant that the content of datasheet is error free. In a continuing effort to improve our products Fujitsu Components America, Inc. or its affiliates reserve the right to change specifications/datasheets without prior notice.
Rev. February 26, 2009.