

POWER RELAY

1 POLE - 32A latching relay screw hole terminals

FTR-K3LV Series

■ FEATURES

- 1 pole, 32A
 - 1 form A contact
 - Surge strength (B/T open contacts) 2.5kV
 - High insulation in small package (between coil and contacts)
 - Dielectric strength: AC 4,000V
 - Surge strength: 6,000V
 - Low coil power consumption: 1,200mW
 - Plastic materials: Flammability; UL94 V-0
 - Through hole
 - Flux proof (RT II)
 - RoHS compliant.
- Please see page 5 for more information



■ PARTNUMBER INFORMATION

[Example] FTR-K3 L V B 012 W
 (a) (b) (c) (d) (e) (f)

(a)	Relay type	FTR-K3 : FTR-K3 Series
(b)	Operate function	L : Latching type
(c)	Contact configuration	V : Screw (M4) tab terminal
(d)	Coil type	B : Standard (1,200mW)
(e)	Coil rated voltage	012 : 5.....48 VDC Coil rating table at page 2
(f)	Contact material	W : Silver alloy

E.g.: Ordering code: FTR-K3LVB012W Actual marking: K3LVB012W

FTR-K3LV SERIES

■ SPECIFICATION

Item	FTR-K3LV		
Contact Data	Configuration	1 form A	
	Material	Silver alloy	
	Resistance (initial)	Max. 30 mOhm at 6VDC, 1A	
	Contact rating (resistive)	32A, 250VAC	
	Max. carrying current	32A, 45A 30 minutes, 600A 0.5 seconds	
	Max. switching voltage	250VAC	
	Max. switching power	8,000VA	
	Max. switching current	32A	
	Min. switching load *	100mA, 5VDC (reference value)	
Life	Mechanical	Min. 1×10^6 operations	
	Electrical (Resistive)	Min. 30×10^3 operations at 32A / 250VAC Min. 1,000 operations at 60A 250VAC ($\cos \varphi = 0.8$) Min. 100 operations at 90A 250VAC ($\cos \varphi = 0.8$)	
Coil Data	Rated power (at 20 °C)	1,200mW	
	Ambient temperature	-40 °C to +85 °C	
Timing Data	Set (at nominal voltage)	Max. 20ms (without bounce)	
	Reset (at nominal voltage)	Max. 20ms (without bounce)	
	Coil excitation	Min. 30ms, max. 1,000ms	
Insulation	Resistance (initial)	Min. 1,000MOhm at 500VDC	
	Dielectric strength	Open contacts	2,500VAC (50/60Hz) 1min
		Contacts to coil	4,000VAC (50/60Hz) 1min
	Surge strength	Contacts to coil	6,000V / $1.2 \times 50\mu\text{s}$ standard wave
Other	Vibration resistance	Misoperation > 1us	10 to 55 to 10Hz single amplitude 0.825mm
		Endurance	10 to 55 to 10Hz single amplitude 1.0mm
	Shock	Misoperation > 1us	Min. 200m/s^2 ($11 \pm 1\text{ms}$)
		Endurance	Min. $1,000\text{m/s}^2$ ($6 \pm 1\text{ms}$)
	Weight	Approximately 27g	
	Sealing	RT II	

* Minimum switching loads mentioned above are reference values. Please perform the confirmation test with actual load before production since reference values may vary according to switching frequencies, environmental conditions and expected reliability levels.

❗ Care shall be taken on the heat generated on PC board when maximum carrying current exceeds 10A. Please perform the confirmation test with actual conditions. reliability levels.

FTR-K3LV SERIES

■ COIL RATING

Coil Code	Rated Coil Voltage (VDC)	Coil Resistance +/-10% (Ohm)	Set Voltage (VDC)	Reset Voltage (VDC)	Max. Applicable Voltage (VDC)	Rated Power (mW)
005	5	P 21	+4.0	-	9.0	1200
		S 21	-	+4.0		
012	12	P 120	+9.6	-	21.6	
		S 120	-	+9.6		
024	24	P 480	+19.2	-	43.2	
		S 480	-	+19.2		
048	48	P 1,920	+38.4	-	86.4	
		S 1,920	-	+38.4		

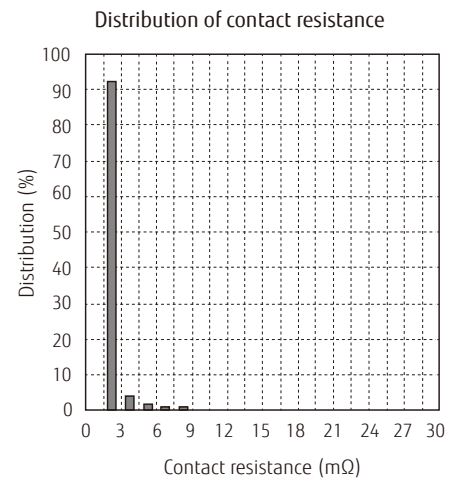
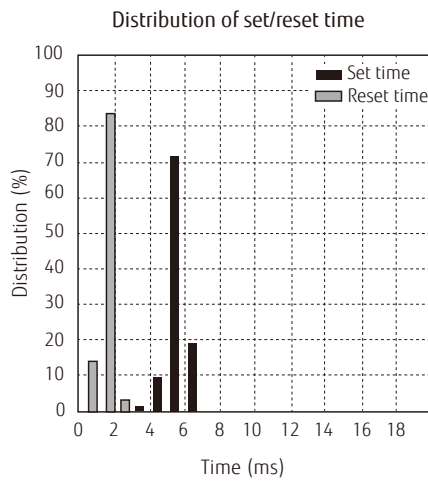
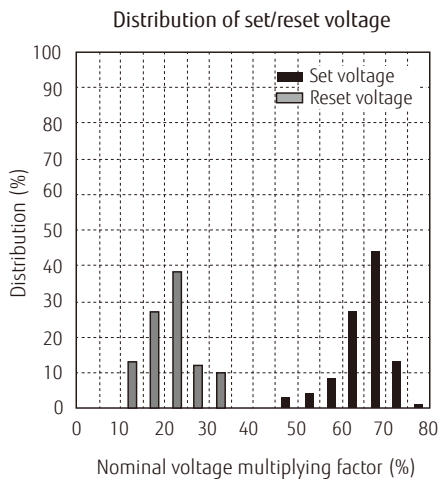
Note: All values in the table are valid for 20°C and zero contact current.

* Specified operate values are valid for pulse wave voltage.

- ❗ Please use at rated coil voltage. Continuous energization on coil at the voltage exceeding max. applicable voltage is prohibited. Insulation deterioration may occur.
- ❗ Do not apply any voltage exceeding max. applicable voltage on reset coil. Operation failure or mis-operation may occur.

■ CHARACTERISTIC DATA

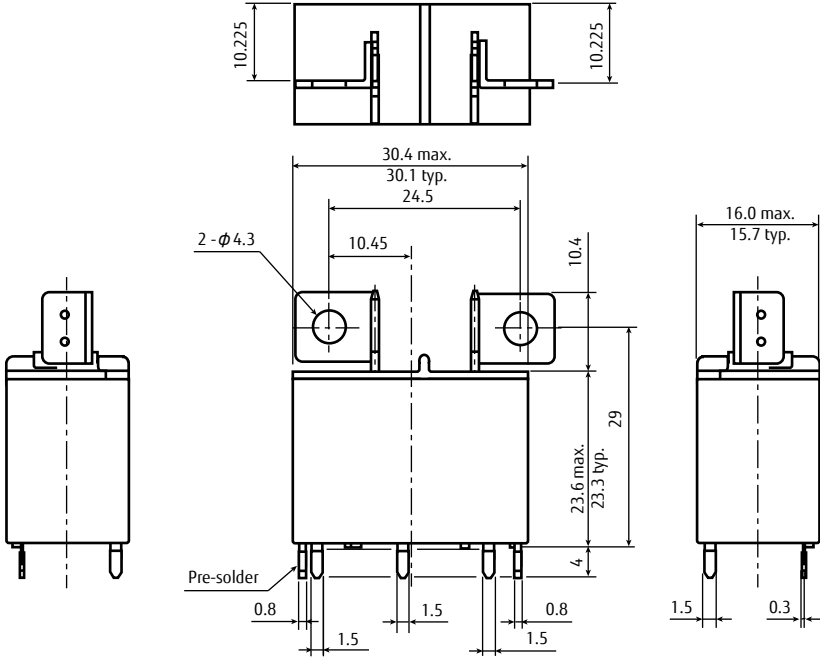
(Characteristic data is not guaranteed value but measured values of samples from production line.)



FTR-K3LV SERIES

■ Dimensions

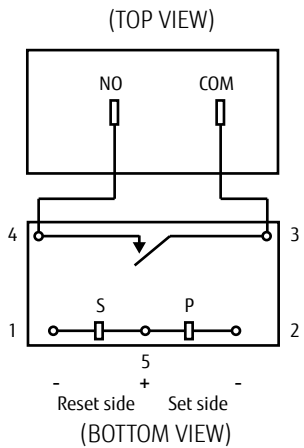
● Dimensions



Dimensions do not include tolerances.
Dimensions of the terminals do not include thickness of pre-solder.

● Schematics

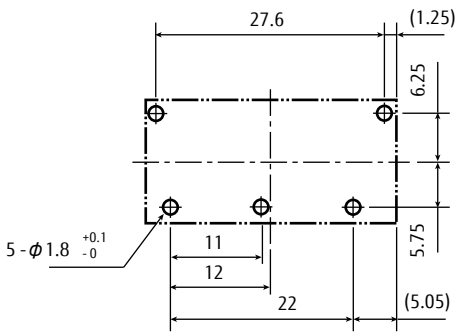
(BOTTOM VIEW)



P: Set coil
S: Reset coil

● PC board mounting hole layout

(BOTTOM VIEW)



Tolerance of PC board mounting hole layout : ± 0.1 unless otherwise specified.

Unit: mm

Cautions

- All values mentioned in this datasheet are provided under ideal conditions. Please perform the confirmation test before actual use.
- Reflow soldering is prohibited.
- Do not use relays in the atmosphere with sulfide gas, chloride gas or nitric oxide. Contact resistance may increase.
- Do not use silicon or silicon-containing product or materials near relays. It may cause contact failure.

Cautions for latching relays

- Latching relays are shipped in the state set, but state may change due to shock during transportation or mounting. Before using the relays, it is advisable to bring the relays in necessary state (set or reset) and program a circuit sequence. Otherwise, it will or will not operate simultaneously with power activation.
- Please connect relay coils according to specified polarity.
- Do not apply voltage to both set coil and reset coil at a time.

RoHS Compliance and Lead Free Information

1. General Information

- All relays produced by Fujitsu Components are compliant with RoHS directive 2011/65/EU including amendments.
- Cadmium as used in electrical contacts is exempted from the RoHS directives.
As per Annex III of directive 2011/65/EU.
- All relays are lead-free. Please refer to Lead-Free Status Info for older date codes at:
<http://www.fujitsu.com/downloads/MICRO/fcai/relays/lead-free-letter.pdf>
- Lead free solder plating on relay terminals is Sn-3.0Ag-0.5Cu, unless otherwise specified.
This material has been verified to be compatible with PbSn assembly process.

2. Recommended Lead Free Solder Condition

- Recommended solder Sn-3.0Ag-0.5Cu.

Flow Solder condition:

Pre-heating: maximum 120 °C within 90 sec.
Soldering: dip within 5 sec. at 255°C±5°C solder bath
Relay must be cooled by air immediately after soldering

Solder by Soldering Iron:

Soldering Iron: 30-60W
Temperature: maximum 350-360 °C
Duration: maximum 3 sec.

We highly recommend that you confirm your actual solder conditions

3. Moisture Sensitivity

- Moisture Sensitivity Level standard is not applicable to electromechanical relays, unless otherwise indicated.

4. Tin Whiskers

- Dipped SnAgCu solder is known as presenting a low risk to tin whisker development. No considerable length whisker was found by our in house test.

Fujitsu Components International Headquarter Offices

Japan FUJITSU COMPONENT LIMITED Shinagawa Seaside Park Tower 19F, 12-4, Higashi-shinagawa 4-chome, Shinagawa-ku, Tokyo, 140-0002, Japan Tel: (81-3) 3450-1682 Fax: (81-3) 3474-2385 Email: fcl-contact@cs.jp.fujitsu.com Web: www.fujitsu.com/jp/fcl/	Asia Pacific FUJITSU COMPONENTS ASIA, LTD. 102E Pasir Panjang Road #01-01 Citilink Warehouse Complex Singapore 118529 Tel: (65) 6375-8560 Fax: (65) 6273-3021 Email: fcal@sg.fujitsu.com Web: www.fujitsu.com/sg/products/devices/components	Korea FUJITSU COMPONENTS KOREA LIMITED Alpha Tower #403, 645 Sampyeong-dong, Bundang-gu, Seongnam-si, Gyeonggi-do, 13524 Korea Tel: (82) 31-708-7108 Fax: (82) 31-709-7108 Email: fcal@sg.fujitsu.com www.fujitsu.com/sg/products/devices/components/
North and South America FUJITSU COMPONENTS AMERICA, INC 2290 North First Street, Suite 212 San Jose, CA 95131, USA Tel: (1-408) 745-4900 Fax: (1-408) 745-4970 Email: components@us.fujitsu.com Web: us.fujitsu.com/components	China FUJITSU ELECTRONIC COMPONENTS (SHANGHAI) CO., LTD. Unit 4306, InterContinental Center 100 Yu Tong Road, Shanghai 200070, China Tel: (86-21) 3253 0998 Fax: (86-21) 3253 0997 Email: fcsh@cn.fujitsu.com Web: www.fujitsu.com/cn/products/devices/components/	
Europe FUJITSU COMPONENTS EUROPE B.V. Diamantlaan 25 2132 WV Hoofddorp Netherlands Tel: (31-23) 5560910 Fax: (31-23) 5560950 Email: info@fceu.fujitsu.com Web: www.fujitsu.com/uk/components	Hong Kong FUJITSU COMPONENTS HONG KONG CO., LTD Unit 506, Inter-Continental Plaza No.94 Granville Road, Tsim Sha Tsui, Kowloon, Hong Kong Tel: (852) 2881-8495 Fax: (852) 2894-9512 Email: fcal@sg.fujitsu.com Web: www.fujitsu.com/sg/products/devices/components/	

©2019 Fujitsu Components Europe B.V. All rights reserved. All trademarks or registered trademarks are the property of their respective owners.

The contents, data and information in this datasheet are provided by Fujitsu Component Ltd. as a service only to its user and only for general information purposes. The use of the contents, data and information provided in this datasheet is at the users' own risk. Fujitsu has assembled this datasheet with care and will endeavor to keep the contents, data and information correct, accurate, comprehensive, complete and up to date.

Fujitsu Components Europe B.V. and affiliated companies do however not accept any responsibility or liability on their behalf, nor on behalf of its employees, for any loss or damage, direct, indirect or consequential, with respect to this datasheet, its contents, data, and information and related graphics and the correctness, reliability, accuracy, comprehensiveness, usefulness, availability and completeness thereof.

Nor do Fujitsu Components Europe B.V. and affiliated companies accept on their behalf, nor on behalf of its employees, any responsibility or liability with respect to these datasheets, its contents, data, information and related graphics and the correctness, reliability, accuracy, comprehensiveness, usefulness, availability and completeness thereof. Rev. September 13, 2019