

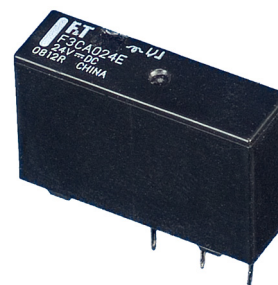
# POWER RELAY

## 1 POLE - 10A changeover relay

### FTR-F3 Series

#### ■ FEATURES

- Low profile and space saving
    - Height: 15mm
    - Mounting space: 164mm<sup>2</sup>
  - High insulation
    - Insulation distance: 7mm between coil and contacts
    - Dielectric strength: 4,000VAC between coil and contacts
    - Surge strength: 10,000V between coil and contacts
  - Plastic materials
    - UL94 flame class V-0
  - Cadmium free relay
  - Lead free relay
  - Plastic sealed type
  - RoHS compliant
- Please see page 4 for more information



#### ■ PARTNUMBER INFORMATION

**[Example]**     FTR-F3    C    A    012    E    -    HC  
                   (a)        (b)    (c)    (d)    (e)        (f)

(a)	Relay type	FTR-F3	: FTR-F3-Series
(b)	Contact configuration	C	: 1 form C
(c)	Coil type (power)	A	: 360mW
(d)	Coil rated voltage	012	: 5.....24 VDC Coil rating table at page 3
(e)	Contact material	E	: Ag Alloy
(f)	Enclosure	HC HK	: Flux proof type : Sealed type

Actual marking does not carry the type name : "FTR"

E.g.: Ordering code: FTR-F3CA012E

Actual marking: F3CA012E

■ SPECIFICATION

Item			FTR-F3	
			FTR-F3CA( )E-HC	FTR-F3CA( )E-HK
Contact Data	Configuration		1 form C (SPDT)	
	Construction		Single	
	Material		Ag Alloy	
	Resistance (initial)		Max. 100mOhm at 1A, 6VDC	
	Contact rating (resistive)		10A, 250VAC	
	Max. carrying current		10A	
	Max. switching voltage		277VAC	
	Max. switching power		2,500VAC	
	Min. switching load *		100 mA, 5VDC	
Life	Mechanical		Min. 20 x 10 <sup>6</sup> operations	
	Electrical (at rated load)		Make: 50 x 10 <sup>3</sup> operations Break: 10 x 10 <sup>3</sup> operations	Make: 10 x 10 <sup>3</sup> operations Break: 6 x 10 <sup>3</sup> operations
Coil Data	Rated power (20 °C)		360mW	
	Operating temperature range		-40 °C to +85 °C (no frost)	
Timing Data	Operate (at nominal voltage)		Max. 10ms (without bounce)	
	Release (at nominal voltage)		Max. 10ms (without bounce)	
Insulation	Resistance (initial)		Min. 1,000MOhm at 500VDC	
	Dielectric strength	Open contacts	750VAC (50/60Hz) 1min	
		Contacts to coil	4,000VAC (50/60Hz) 1min	
	Surge strength	Contacts to coil	10,000V / 1.2 x 50µs standard wave	
Other	Vibration resistance	Misoperation	10 to 55Hz double amplitude 1.5mm	
		Endurance	10 to 55Hz double amplitude 1.5mm	
	Shock	Misoperation	Min. 100m/s <sup>2</sup> (11±1ms)	
		Endurance	Min. 1,000m/s <sup>2</sup> (6±1ms)	
	Weight	Approximately 6g		
	Enclosure	Flux proof		Plastic sealed

\* Minimum switching loads mentioned above are reference values. Please perform the confirmation test with actual load before production since reference values may vary according to switching frequencies, environmental conditions and expected reliability levels.

■ COIL RATING

Coil Code	Rated Coil Voltage (VDC)	Coil Resistance +/- 10% (Ohm)	Must Operate Voltage (VDC) *	Must Release Voltage (VDC) *
005	5	69	3.75	0.5
006	6	100	4.5	0.6
009	9	225	6.75	0.9
012	12	400	9	1.2
018	18	900	13.5	1.8
024	24	1,600	18	2.4

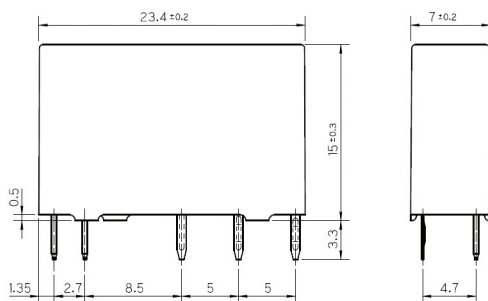
Note: All values in the tables are valid for 20°C and zero contact current.  
 \* Specified operate values are valid for pulse wave voltage.

■ SAFETY STANDARDS (Plan)

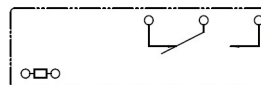
Type	Contact rating	
	FTR-F3CA( )E-HC	FTR-F3CA( )E-HK
UL	Flammability: UL 94-V0 (plastics)	
CSA	10A, 250VAC (resistive)	10A, 250VAC (resistive)
VDE		

■ DIMENSIONS

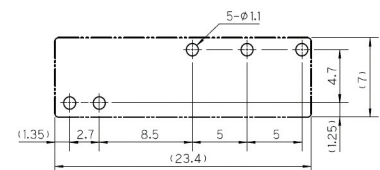
● Dimensions



● Schematics (BOTTOM VIEW)



● PC board mounting hole layout (BOTTOM VIEW)



Unit: mm

## RoHS Compliance and Lead Free Information

### 1. General Information

- All relays produced by Fujitsu Components are compliant with RoHS directive 2011/65/EU including amendments.
- Cadmium as used in electrical contacts is exempted from the RoHS directives.  
As per Annex III of directive 2011/65/EU.
- All relays are lead-free. Please refer to Lead-Free Status Info for older date codes at:  
<http://www.fujitsu.com/downloads/MICRO/fcai/relays/lead-free-letter.pdf>
- Lead free solder plating on relay terminals is Sn-3.0Ag-0.5Cu, unless otherwise specified.  
This material has been verified to be compatible with PbSn assembly process.

### 2. Recommended Lead Free Solder Condition

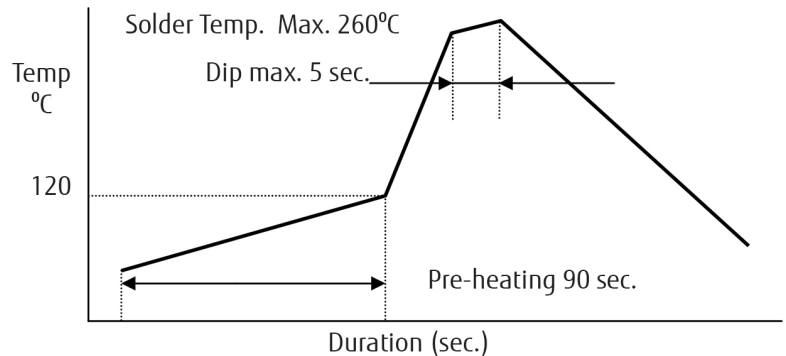
- Recommended solder Sn-3.0Ag-0.5Cu.

#### Flow Solder Condition:

Pre-heating: maximum 120°C  
within 90 sec.  
Soldering: dip within 5 sec. at  
255°C ± 5°C solder bath  
Relay must be cooled by air immediately  
after soldering

#### Solder by Soldering Iron:

Soldering Iron 30-60W  
Temperature: maximum 350-360°C  
Duration: maximum 3 sec.



**We highly recommend that you confirm your actual solder conditions**

### 3. Moisture Sensitivity

- Moisture Sensitivity Level standard is not applicable to electromechanical relays, unless otherwise indicated.

### 4. Tin Whiskers

- Dipped SnAgCu solder is known as presenting a low risk to tin whisker development. No considerable length whisker was found by our in house test.

## Fujitsu Components International Headquarter Offices

### Japan

Fujitsu Component Limited  
 Gotanda-Chuo Building  
 3-5, Higashigotanda 2-chome, Shinagawa-ku  
 Tokyo 141, Japan  
 Tel: (81-3) 5449-7010  
 Fax: (81-3) 5449-2626  
 Email: [promothq@ft.ed.fujitsu.com](mailto:promothq@ft.ed.fujitsu.com)  
 Web: [www.fcl.fujitsu.com](http://www.fcl.fujitsu.com)

### North and South America

Fujitsu Components America, Inc.  
 250 E. Caribbean Drive  
 Sunnyvale, CA 94089 U.S.A.  
 Tel: (1-408) 745-4900  
 Fax: (1-408) 745-4970  
 Email: [components@us.fujitsu.com](mailto:components@us.fujitsu.com)  
 Web: <http://us.fujitsu.com/components>

### Europe

Fujitsu Components Europe B.V.  
 Diamantlaan 25  
 2132 WV Hoofddorp  
 Netherlands  
 Tel: (31-23) 5560910  
 Fax: (31-23) 5560950  
 Email: [info@fceu.fujitsu.com](mailto:info@fceu.fujitsu.com)  
 Web: [emea.fujitsu.com/components/](http://emea.fujitsu.com/components/)

### Asia Pacific

Fujitsu Components Asia Ltd.  
 102E Pasir Panjang Road  
 #01-01 Citilink Warehouse Complex  
 Singapore 118529  
 Tel: (65) 6375-8560  
 Fax: (65) 6273-3021  
 Email: [fcal@fcal.fujitsu.com](mailto:fcsl@fcal.fujitsu.com)  
 Web: <http://www.fujitsu.com/sg/services/micro/components/>

©2014 Fujitsu Components Europe B.V. All rights reserved. All trademarks or registered trademarks are the property of their respective owners.

The contents, data and information in this datasheet are provided by Fujitsu Component Ltd. as a service only to its user and only for general information purposes.

The use of the contents, data and information provided in this datasheet is at the users' own risk.

Fujitsu has assembled this datasheet with care and will endeavor to keep the contents, data and information correct, accurate, comprehensive, complete and up to date.

Fujitsu Components Europe B.V. and affiliated companies do however not accept any responsibility or liability on their behalf, nor on behalf of its employees, for any loss or damage, direct, indirect or consequential, with respect to this datasheet, its contents, data, and information and related graphics and the correctness, reliability, accuracy, comprehensiveness, usefulness, availability and completeness thereof.

Nor do Fujitsu Components Europe B.V. and affiliated companies accept on their behalf, nor on behalf of its employees, any responsibility or liability for any representation or warrant of any kind, express or implied, including warranties of any kind for merchantability or fitness for particular use, with respect to these datasheets, its contents, data, information and related graphics and the correctness, reliability, accuracy, comprehensiveness, usefulness, availability and completeness thereof. Rev. June 26, 2014