

AUTOMOTIVE RELAY

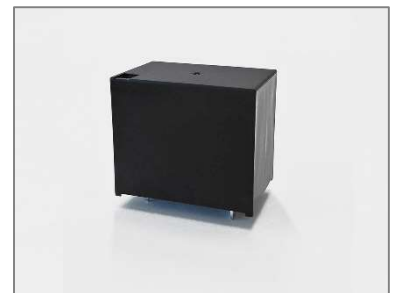
1 POLE – 60A

FTR-E1-HC Series

RoHS Compliant

■ FEATURES

- 60A 400VDC higher voltage switching
- No specific polarity requirement for the connection of load terminals
- Low power consumption (approx. 1.2W at rated coil voltage)
- High insulation design: Dielectric strength between coil and contacts 5,000VAC 1 minute, between contacts 2,500VAC 1 minute
- Plastic material: UL flammability 94V-0
- Plastic sealed



■ APPLICATIONS

Electric vehicles (HEV, PHEV, EV), fast charge stations, photovoltaic power generation systems, hybrid construction machineries, battery systems, etc.

■ PART NUMBERS

[Example] FTR-E1 A A 012 Y - HC
 (a) (b) (c) (d) (e) (f)

(a)	Relay type	FTR-E1 series
(b)	Contact arrangement	A : 1a (1 Form X)
(c)	Coil power consumption	A : Standard (1.2W)
(d)	Nominal coil voltage	012 : 12VDC 024 : 24VDC
(e)	Contact material	Y : Silver alloy
(f)	Option	HC : High capacity type

Note: Actual marking does not carry the type name: "FTR".
 E.g.: Ordering code: FTR-E1AA012Y-HC, actual marking: E1AA012Y-HC.

■ SPECIFICATIONS

Item		Specifications	Remarks / Conditions	
Contact Data	Arrangement	1a (1 form X)		
	Material	Silver alloy		
	Rating	60A, 400VDC	Resistive, at 60°C	
		50A, 450VDC	Resistive, at 85°C	
	Voltage drop	Max. 0.5V	At 20A	
	Max. carrying current	60A (at 60°C, cable size 14mm ²) 50A (at 85°C, cable size 14mm ²)		
Min. switching load* ¹	1A 12VDC	Reference		
Coil	Rated power consumption	Approx. 1.2W		
	Operating power consumption	588mW		
	Operating temperature range	-40°C to +60°C at 60A * ² -40°C to +85°C at 50A * ²		
Time	Operate	Max. 30ms (without bounce)	At nominal voltage, at 20°C, without bounce	
	Release	Max. 10ms (without bounce, without diode)		
Life	Mechanical	500 x 10 ³ operations	18,000 cycles/hour	
	Electrical	500 operations* ³	At 60A 400VDC or 60A 450VDC	
Insulation	Insulation resistance		Min. 1,000MΩ	At 1,000VDC, initial
	Dielectric withstanding voltage	Open contacts	2,500VAC (50/60Hz), 1 minute	
		Coil-contact	2,500VAC (50/60Hz), 1 minute	
Others	Vibration resistance	Misoperation	5 to 200Hz, acceleration 45m/s ² constant acceleration	Detect time 1ms, ON/OFF
		Endurance	5 to 200Hz, acceleration 45m/s ² constant acceleration	ON/OFF, vertical 4 hours, horizontal 2 hours
	Shock resistance	Misoperation	100m/s ² (11 ± 1ms)	Detect time 1ms
		Endurance	1,000m/s ² (6 ± 1ms)	ON/OFF total 36 cycles
	Dimensions / Weight		28.3 x 43.6 x 36.8 mm / Approx. 80g	

Note: Values of electrical characteristics are under 15 to 35 degC, 25 to 75%RH, air pressure 86kPa to 106kPa (JIS standard condition) unless otherwise specified.

*1: Minimum switching loads mentioned above are reference values. Please perform the confirmation test with actual load before production since reference values may vary according to switching frequencies, environmental conditions and expected reliability levels.

*2: Relays shall be kept frost-free.

*3: Please always use a varistor to protect the coil from back electromotive force. Use of other protection element may shorten relay life excessively. Varistor shall be connected in parallel to the relay coil. Please refer to recommended circuit layout. Varistor voltage shall have 3 times as high as applied coil voltage

! Care shall be taken on the heat generated on PC board when maximum carrying current exceed 10A.

COIL DATA

Coil Code	Rated Coil Voltage (VDC)	Coil Resistance $\pm 10\%$ (Ω)	Must Operate Voltage* (VDC)	Must Release Voltage* (VDC)
012	12	120	8.4 (at 20°C) 10.5 (at 85°C)	1.0 (at 20°C) 1.3 (at 85°C)
024	24	480	16.8 (at 20°C) 21.2 (at 85°C)	2.0 (20°C) 2.6 (at 85°C)

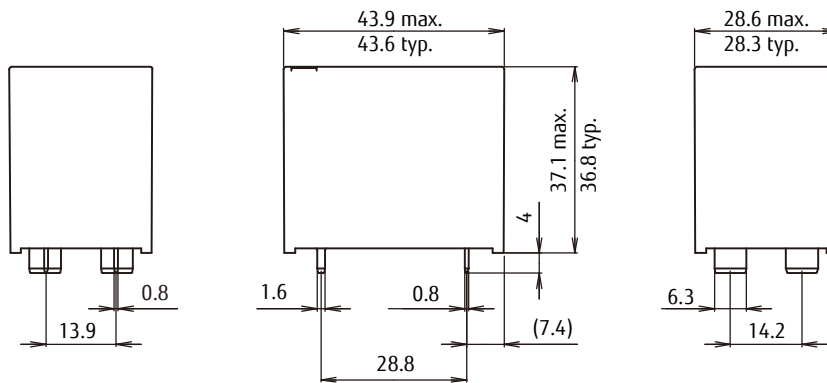
Note: All values in the table are valid at 20°C and zero contact current unless otherwise specified.

Note: Please use at rated coil voltage.

*: Specified operate values are valid for pulse wave voltage.

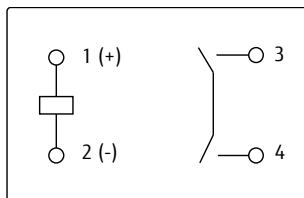
DIMENSIONS

Dimensions

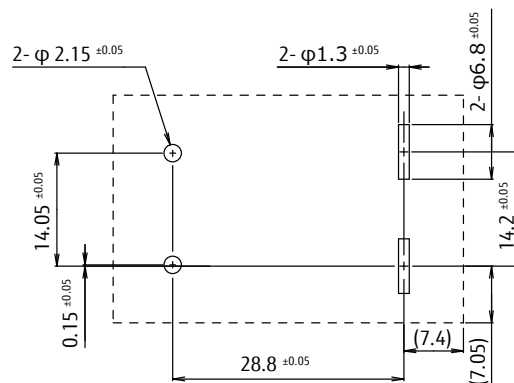


- Dimensions of the terminals do not include thickness of pre-solder.
- Dimensions do not include tolerance.

Schematics (BOTTOM VIEW)



PC Board Mounting Hole Layout



Unit: mm
(): Reference

CAUTIONS

- All values mentioned in this datasheet are provided under ideal conditions. Please perform the confirmation test before actual use.
- Reflow soldering is prohibited.
- Do not use relays in the atmosphere with sulfide gas, chloride gas or nitric oxide. Contact resistance may increase.
- Do not use silicon or silicon-containing product or materials near relays. It may cause contact failure.
- Please connect relay coils according to specified polarity.

Cautions for high voltage DC switching relays

- There is a possibility that the relay is not able to switch off the load at high voltage DC load. Fail safe circuit must be provided to prevent injury, fire or other harms resulting from failure occurred on relays.
- Relays are periodic maintenance parts. Do not exceed the specified life time and/or switching conditions.

GENERAL INFORMATION

1. ROHS Compliance

- All relays produced by Fujitsu Components are compliant with RoHS directive 2011/65/EU, including commission delegated directive 2015/863.

2. Recommended lead free solder condition

- Lead free solder plating on relay terminals is Sn-3.0Ag-0.5Cu, unless otherwise specified. This material has been verified to be compatible with PbSn assembly process.
- Recommended solder for assembly: Sn-3.0Ag-0.5Cu.

Flow Solder Condition:

Pre-Heating: maximum 120 °C
within 90 sec.
Soldering: dip within 5 sec. at 255°C±5°C solder bath

Relay must be cooled by air immediately after soldering

Solder by Soldering Iron:

Soldering Iron: 30-60W
Temperature: maximum 340-360 °C
Duration: maximum 3 sec.

We highly recommend that you confirm your actual solder conditions

3. Moisture Sensitivity

- Moisture Sensitivity Level standard is not applicable to electromechanical relays, unless otherwise indicated.

4. Tin Whiskers

- Dipped SnAgCu solder is known as presenting a low risk to tin whisker development. No considerable length whisker was found by our in house test.

Fujitsu Components International Headquarter Offices

Japan FUJITSU COMPONENT LIMITED Shinagawa Seaside Park Tower 19F, 12-4, Higashi-shinagawa 4-chome, Shinagawa-ku, Tokyo, 140-0002, Japan Tel: (81-3) 3450-1682 Fax: (81-3) 3474-2385 Email: fcl-contact@cs.jp.fujitsu.com Web: www.fujitsu.com/jp/fcl/	Asia Pacific FUJITSU COMPONENTS ASIA, LTD. 102E Pasir Panjang Road #01-01 Citilink Warehouse Complex Singapore 118529 Tel: (65) 6375-8560 Fax: (65) 6273-3021 Email: fcal@sg.fujitsu.com Web: www.fujitsu.com/sg/products/devices/components	Korea FUJITSU COMPONENTS KOREA LIMITED Alpha Tower #403, 645 Sampyeong-dong, Bundang-gu, Seongnam-si, Gyeonggi-do, 13524 Korea Tel: (82) 31-708-7108 Fax: (82) 31-709-7108 Email: fcal@sg.fujitsu.com www.fujitsu.com/sg/products/devices/components/
North and South America FUJITSU COMPONENTS AMERICA, INC 1230 E. Arques Ave. M/S 160 Sunnyvale, CA. 94085, USA Tel: (1-408) 745-4900 Fax: (1-408) 745-4970 Email: components@us.fujitsu.com Web: us.fujitsu.com/components	China FUJITSU ELECTRONIC COMPONENTS (SHANGHAI) CO., LTD. Unit 4306, InterContinental Center 100 Yu Tong Road, Shanghai 200070, China Tel: (86-21) 3253 0998 Fax: (86-21) 3253 0997 Email: fcs@cn.fujitsu.com Web: www.fujitsu.com/cn/products/devices/components/	
Europe FUJITSU COMPONENTS EUROPE B.V. Diamantlaan 25 2132 WV Hoofddorp Netherlands Tel: (31-23) 5560910 Fax: (31-23) 5560950 Email: info@fceu.fujitsu.com Web: www.fujitsu.com/uk/components	Hong Kong FUJITSU COMPONENTS HONG KONG CO., LTD Unit 506, Inter-Continental Plaza No.94 Granville Road, Tsim Sha Tsui, Kowloon, Hong Kong Tel: (852) 2881-8495 Fax: (852) 2894-9512 Email: fcal@sg.fujitsu.com Web: www.fujitsu.com/sg/products/devices/components/	

© 2020 Fujitsu Components Europe B.V. All rights reserved. All trademarks or registered trademarks are the property of their respective owners.

Fujitsu Products are intended for general use, including without limitation, in personal, household and office environments, in buildings and for ordinary use in the industry. Fujitsu Products are not intended to be used in applications where extremely high safety is required ("High Safety Required Applications"), such as, but not limited to, applications in nuclear facilities, in aircraft automatic flight control, in air traffic control, in mass transit system control, in missile launch systems, in weapon systems, in medical equipment for life support or any application involving a direct serious risk of physical injury or death. Please do not use Fujitsu Products without securing the sufficient safety and reliability required for the High Safety Required Applications. In addition, Fujitsu shall not be liable against the customer and/or any third party for any claims or damages arising in connection with the use of Fujitsu Products in the High Safety Required Applications. Fujitsu warrants that its Products, if properly used and serviced, will conform to their specification and will be free from defects in material and workmanship for twelve months from delivery. The implied warranties of merchantability and fitness for a particular purpose and all other warranties, representations and conditions, express or implied by statute, trade usage or otherwise, except as set forth in this warranty, are excluded and shall not apply to the Products delivered.

The contents, data and information in this datasheet are provided by Fujitsu Component Ltd. as a service only to its user and only for general information purposes. The use of the contents, data and information provided in this datasheet is at the users' own risk. Fujitsu has assembled this datasheet with care and will endeavor to keep the contents, data and information correct, accurate, comprehensive, complete and up to date. Fujitsu Components Europe B.V. and affiliated companies do however not accept any responsibility or liability on their behalf, nor on behalf of its employees, for any loss or damage, direct, indirect or consequential, with respect to this datasheet, its contents, data, and information and related graphics and the correctness, reliability, accuracy, comprehensiveness, usefulness, availability and completeness thereof. Nor do Fujitsu Components Europe B.V. and affiliated companies accept on their behalf, nor on behalf of its employees, any responsibility or liability with respect to these datasheets, its contents, data, information and related graphics and the correctness, reliability, accuracy, comprehensiveness, usefulness, availability and completeness thereof. Rev. March 12, 2021