

# PC BOARD CONNECTORS

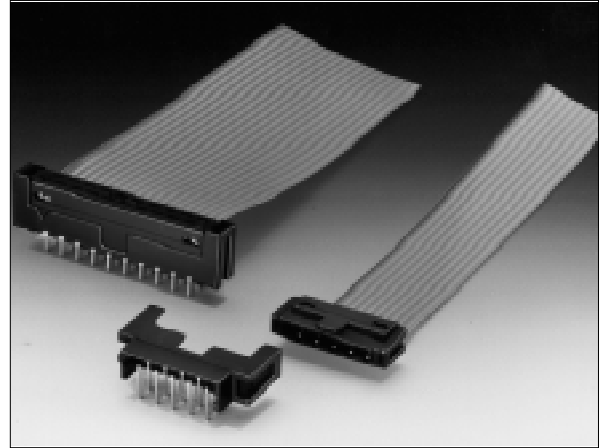
## 790 SERIES (LOW PROFILE CONNECTORS)

### ■ FEATURES

- Low profile two-piece connector: 8.6 mm (0.336 in.) height for straight type, 4.6 mm (0.181 in.) height for right-angle type
- Unique simple lock mechanism (preventing connectors from working loose because of vibration)
- Reliable ribbon contact
- 2.54-mm (0.100 in.) grid

### ■ SPECIFICATIONS

Item	Specification
Operating temperature range	-55°C to +105°C
Current rating	DC 1 A
Contact resistance	20 mΩ max.
Insulation resistance	1000 MΩ min.
Dielectric strength	AC 1500 V for 1 minute
Applicable cable	Flat cable: 1.27 mm (0.050 in.) pitch AWG #28 (stranded) or #30 (solid)

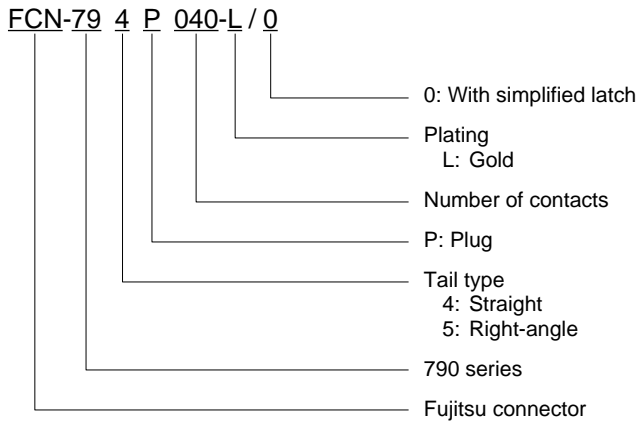


### ■ MATERIALS

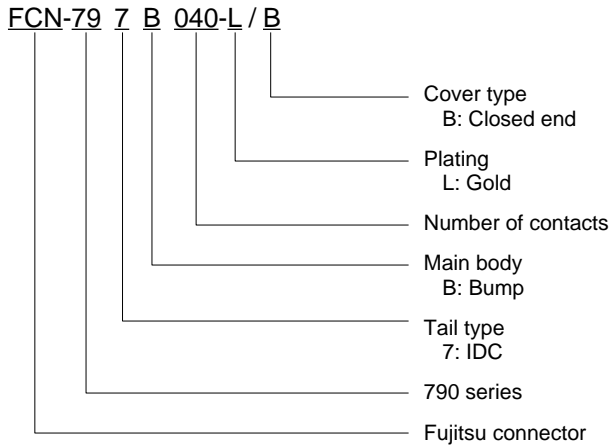
Item	Materials	
Insulating material	Polyester (UL94V-0)	
Conductor	Copper alloy	
Plating	Contact	Gold
	Terminal	Palladium

## ■ ORDERING CODE

### 1. Plug

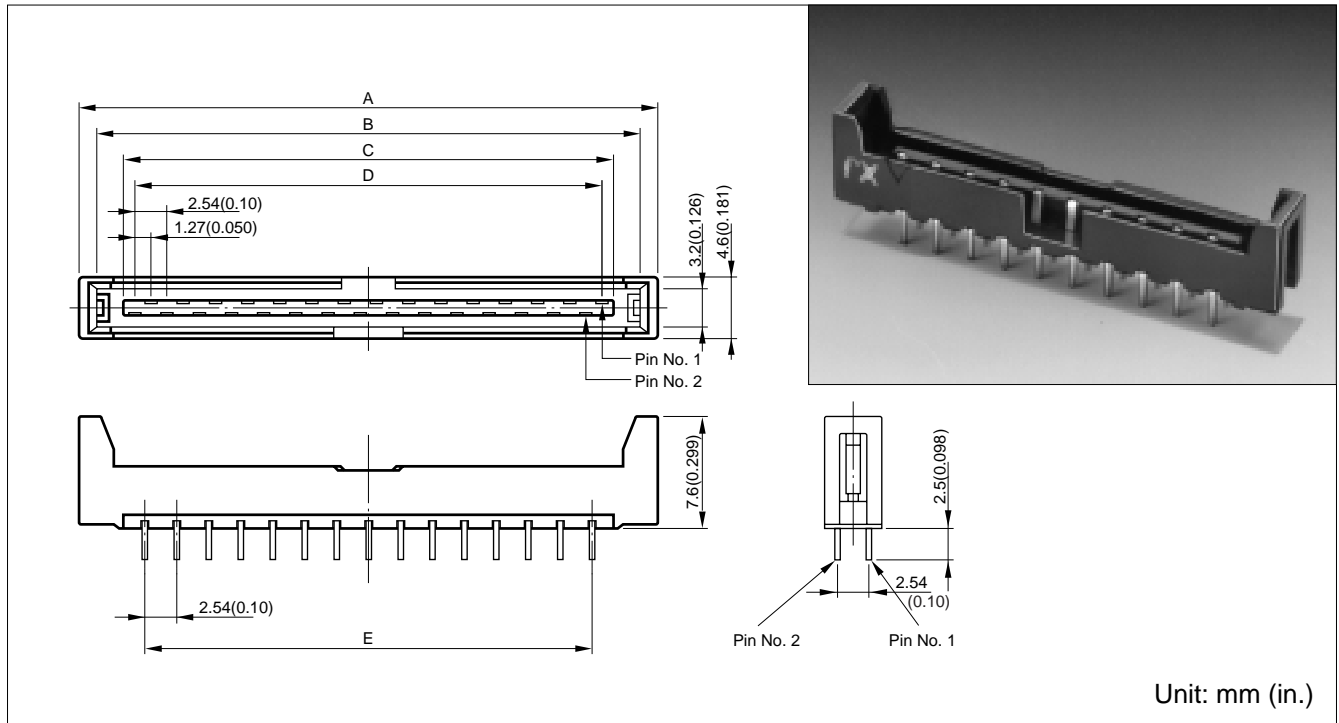


### 2. Socket

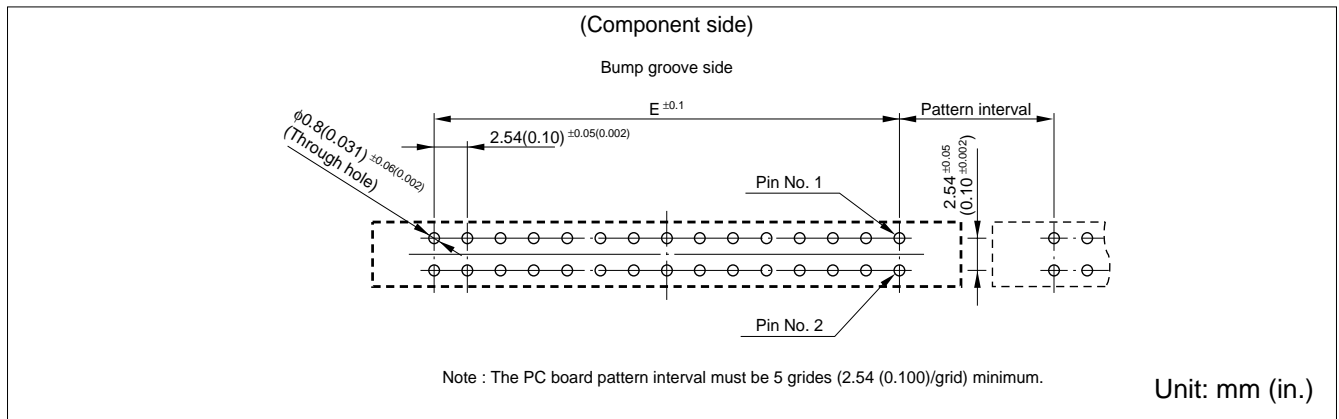


## STRAIGHT PLUG

### ■ DIMENSIONS



### ■ MOUNTING HOLE LAYOUT

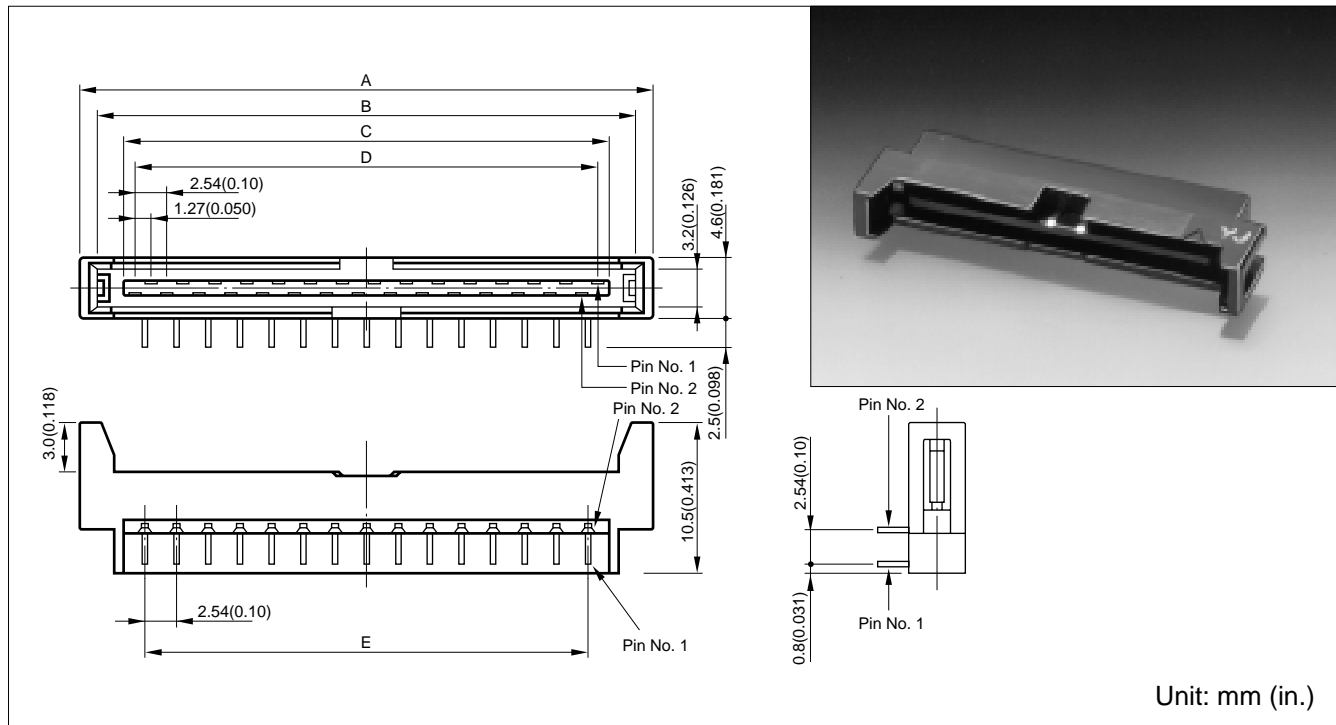


### ■ PART NUMBERS AND DIMENSIONS

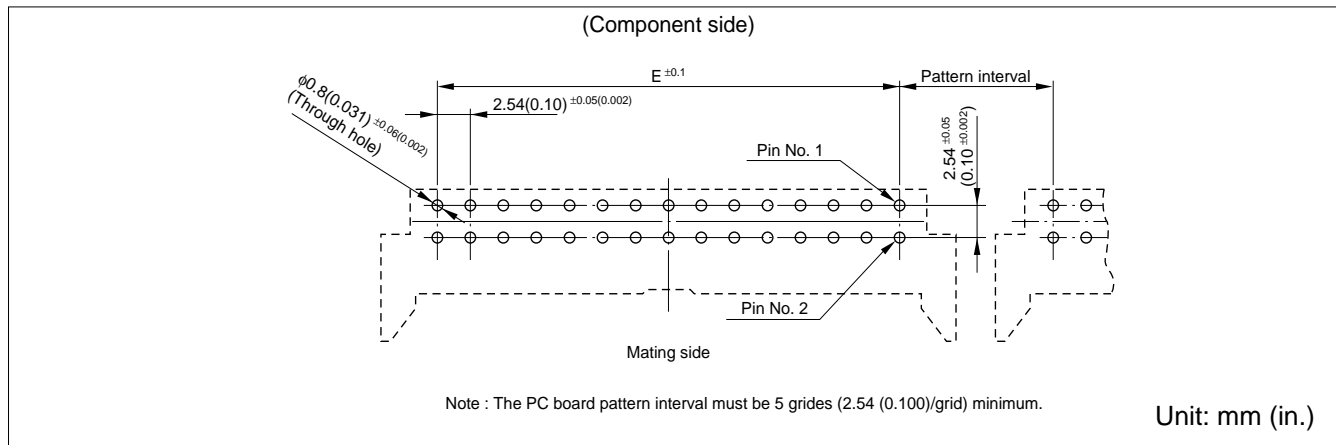
Number of contacts	Part number	Dimensions: mm (in.)				
		A	B	C	D	E
10	FCN-794P010-L/0	20.1 (0.791)	17.72 (0.698)	13.07 (0.515)	11.43 (0.450)	10.16 (0.400)
14	FCN-794P014-L/0	25.2 (0.992)	22.80 (0.898)	18.15 (0.715)	16.51 (0.650)	15.24 (0.600)
16	FCN-794P016-L/0	27.7 (1.090)	25.34 (0.998)	20.69 (0.815)	19.05 (0.750)	17.78 (0.700)
20	FCN-794P020-L/0	32.8 (1.291)	30.42 (1.198)	25.77 (1.015)	24.13 (0.950)	22.86 (0.900)
24	FCN-794P024-L/0	37.9 (1.492)	35.50 (1.398)	30.85 (1.215)	29.21 (1.150)	27.94 (1.100)
26	FCN-794P026-L/0	40.4 (1.590)	38.04 (1.498)	33.39 (1.315)	31.75 (1.250)	30.48 (1.200)
30	FCN-794P030-L/0	45.5 (1.791)	43.12 (1.698)	38.47 (1.515)	36.83 (1.450)	35.56 (1.400)
34	FCN-794P034-L/0	50.6 (1.992)	48.20 (1.898)	43.55 (1.715)	41.91 (1.650)	40.64 (1.600)
40	FCN-794P040-L/0	58.2 (2.291)	55.82 (2.198)	51.17 (2.015)	49.53 (1.950)	48.26 (1.900)

## RIGHT-ANGLE PLUG

### ■ DIMENSIONS



### ■ MOUNTING HOLE LAYOUT

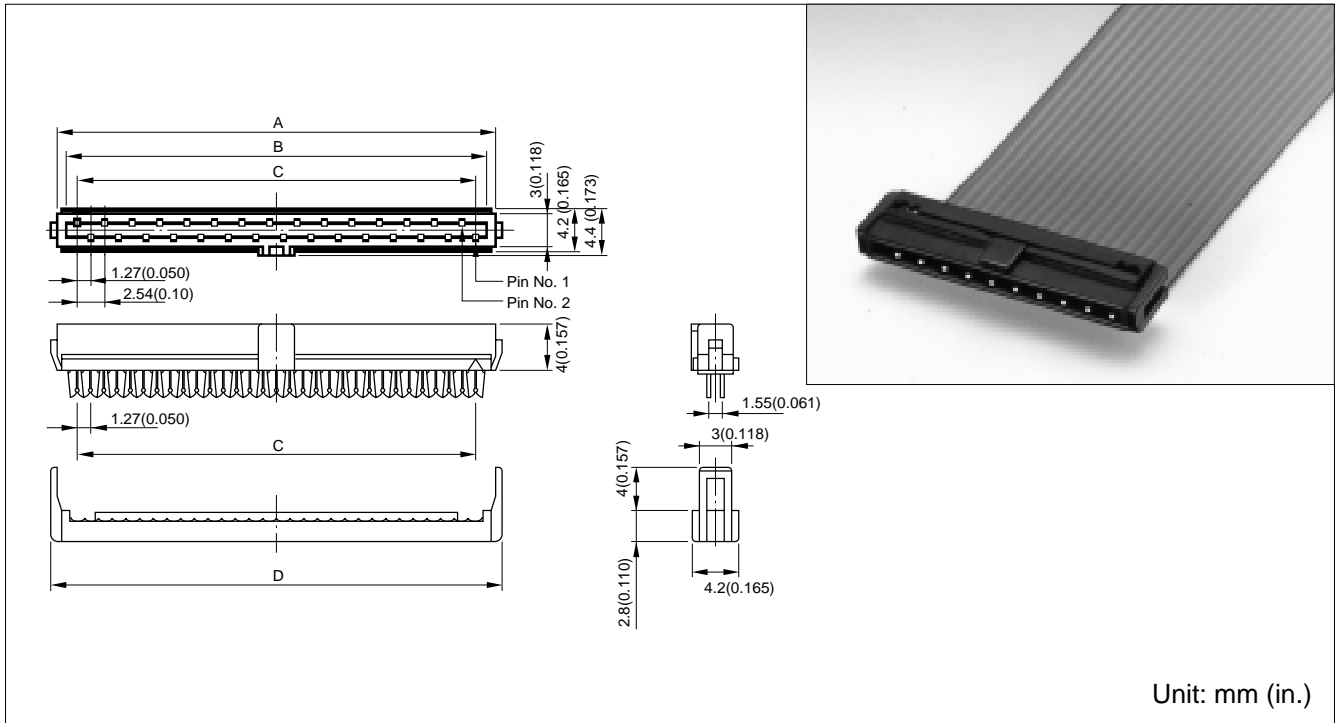


### ■ PART NUMBERS AND DIMENSIONS

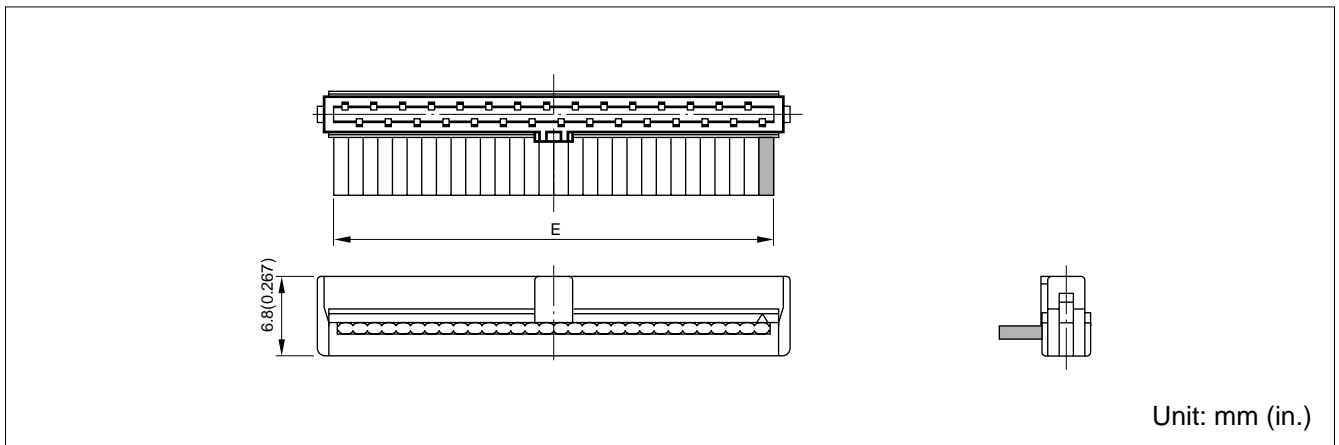
Number of contacts	Part number	Dimensions: mm (in.)				
		A	B	C	D	E
10	FCN-795P010-L/0	20.1 (0.791)	17.72 (0.698)	13.07 (0.515)	11.43 (0.450)	10.16 (0.400)
14	FCN-795P014-L/0	25.2 (0.992)	22.80 (0.898)	18.15 (0.715)	16.51 (0.650)	15.24 (0.600)
16	FCN-795P016-L/0	27.7 (1.090)	25.34 (0.998)	20.69 (0.815)	19.05 (0.750)	17.78 (0.700)
20	FCN-795P020-L/0	32.8 (1.291)	30.42 (1.198)	25.77 (1.015)	24.13 (0.950)	22.86 (0.900)
24	FCN-795P024-L/0	37.9 (1.492)	35.50 (1.398)	30.85 (1.215)	29.21 (1.150)	27.94 (1.100)
26	FCN-795P026-L/0	40.4 (1.590)	38.04 (1.498)	33.39 (1.315)	31.75 (1.250)	30.48 (1.200)
30	FCN-795P030-L/0	45.5 (1.791)	43.12 (1.698)	38.47 (1.515)	36.83 (1.450)	35.56 (1.400)
34	FCN-795P034-L/0	50.6 (1.992)	48.20 (1.898)	43.55 (1.715)	41.91 (1.650)	40.64 (1.600)
40	FCN-795P040-L/0	58.2 (2.291)	55.82 (2.198)	51.17 (2.015)	49.53 (1.950)	48.26 (1.900)

## IDC JACK (CLOSED END)

### ■ DIMENSIONS



### ■ MOUNTING HOLE LAYOUT



### ■ PART NUMBERS AND DIMENSIONS

Number of contacts	Part number	Dimensions: mm (in.)				
		A	B	C	D	E
10	FCN-797B010-L/B	15.27 (0.601)	13.17 (0.518)	11.43 (0.450)	17.3 (0.681)	12.70 (0.500)
14	FCN-797B014-L/B	20.35 (0.801)	18.25 (0.718)	16.51 (0.650)	22.4 (0.881)	17.78 (0.700)
16	FCN-797B016-L/B	22.89 (0.901)	20.79 (0.818)	19.05 (0.750)	24.9 (0.980)	20.32 (0.800)
20	FCN-797B020-L/B	27.97 (1.101)	25.87 (1.018)	24.13 (0.950)	30.0 (1.181)	25.40 (1.000)
24	FCN-797B024-L/B	33.05 (1.301)	30.95 (1.218)	29.21 (1.150)	35.1 (1.382)	30.48 (1.200)
26	FCN-797B026-L/B	35.59 (1.401)	33.49 (1.318)	31.75 (1.250)	37.6 (1.480)	33.02 (1.300)
30	FCN-797B030-L/B	40.67 (1.601)	38.57 (1.518)	36.83 (1.450)	42.7 (1.681)	38.10 (1.500)
34	FCN-797B034-L/B	45.75 (1.801)	43.65 (1.718)	41.91 (1.650)	47.8 (1.882)	43.18 (1.700)
40	FCN-797B040-L/B	53.37 (2.100)	51.27 (2.018)	49.53 (1.950)	55.4 (2.181)	50.80

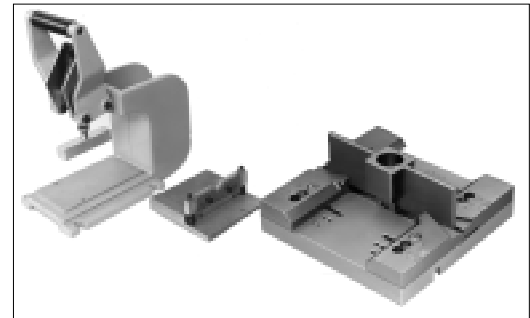
The 44-contact type is also available.

## ■ IDC TOOLS

- Special IDC tools are used to assemble FCN-790 series connectors and flat cables.
- All tools are simple and easy to use, even for first time users.
- Users who have IDC tools manufactured by us do not have to buy hand presses or cut cables. They are compatible. Take care to buy the locator plate designed for your connectors.
- The number of pins can be changed easily by setting the connector guide to a specified pin hole.
- The cable cutter remains sharp, providing fast, easy cutting with a long life.

Notes:

- Please ask for an operation instruction manual if needed.
- If you have any questions about Fujitsu IDC tools, please contact your local Fujitsu office or your local Fujitsu distributor.



Hand press    Cable cutter    Locator plate

## ■ CABLE TERMINATION

### • Flat cable termination diagram

There are many ways to connect connectors to flat cables. Choose the connection method appropriate to your application from the figure below.

### • Cable length

The length of a cable is in units of cm, as shown in the figure below. The minimum length is 3 cm. The specified tolerance of the cable length is  $\pm 10\%$  for  $L \leq 10$  cm ( $\pm 5$  mm min.),  $\pm 1$  cm for  $10$  cm  $< L < 100$  cm,  $\pm(L/100$  cm  $+ 2$  cm) for  $100$  cm  $\leq L \leq 1800$  cm, and  $\pm 20$  cm for  $1800$  cm  $< L$ .

Type number	No. 1	No. 2	No. 3	No. 4
Connector model				
790 series				

## ■ PART NUMBERS FOR IDC TOOLS

Name	Part number
Cable cutter (common)	FCN-707T-T001/H
Hand press (common)	FCN-707T-T101/H
Locator plate (for 790 series connectors)	FCN-797T-T055/H

The hand press and the cable cutter can be used for other IDC connectors.

## **Fujitsu Components International Headquarter Offices**

### **Japan**

Fujitsu Component Limited  
Gotanda-Chuo Building  
3-5, Higashigotanda 2-chome, Shinagawa-ku  
Tokyo 141, Japan  
Tel: (81-3) 5449-7010  
Fax: (81-3) 5449-2626  
Email: [promothq@ft.ed.fujitsu.com](mailto:promothq@ft.ed.fujitsu.com)  
Web: [www.fcl.fujitsu.com](http://www.fcl.fujitsu.com)

### **North and South America**

Fujitsu Components America, Inc.  
250 E. Caribbean Drive  
Sunnyvale, CA 94089 U.S.A.  
Tel: (1-408) 745-4900  
Fax: (1-408) 745-4970  
Email: [marcom@fcai.fujitsu.com](mailto:marcom@fcai.fujitsu.com)  
Web: [www.fcai.fujitsu.com](http://www.fcai.fujitsu.com)

### **Europe**

Fujitsu Components Europe B.V.  
Diamantlaan 25  
2132 WV Hoofddorp  
Netherlands  
Tel: (31-23) 5560910  
Fax: (31-23) 5560950  
Email: [info.marketing@fceu.fujitsu.com](mailto:info.marketing@fceu.fujitsu.com)  
Web: [www.fceu.fujitsu.com](http://www.fceu.fujitsu.com)

### **Asia Pacific**

Fujitsu Components Asia Ltd.  
102E Pasir Panjang Road  
#04-01 Citilink Warehouse Complex  
Singapore 118529  
Tel: (65) 375-8560  
Fax: (65) 273-3021  
Email: [fcal@fcal.fujitsu.com](mailto:fcal@fcal.fujitsu.com)  
[www.fcal.fujitsu.com](http://www.fcal.fujitsu.com)

© 2001 Fujitsu Components America, Inc. All company and product names are trademarks or registered trademarks of their respective owners. Rev. 09/2001