

0.5 mm PITCH MATCHED IMPEDANCE STACKING CONNECTORS FOR HIGH-SPEED SIGNAL REQUIREMENTS

FCN-290H SERIES

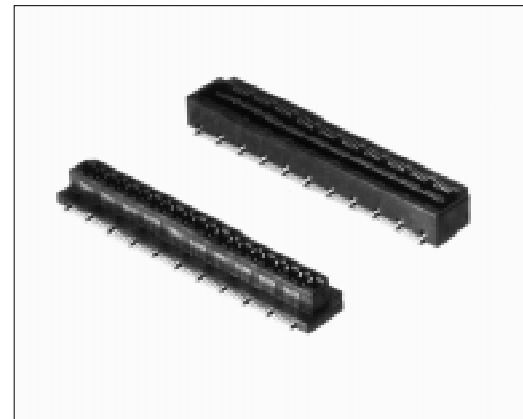
Discontinued in December 2013

FEATURES

- Terminal pitch of 0.5mm, SMT terminals (for both plug and socket).
- This connector can connect boards in parallel with 5.5 mm stacking height .
- Bellows contacts provide reliable interconnection.
- Characteristic impedance matching is 50Ω and low cross talk.

SPECIFICATIONS

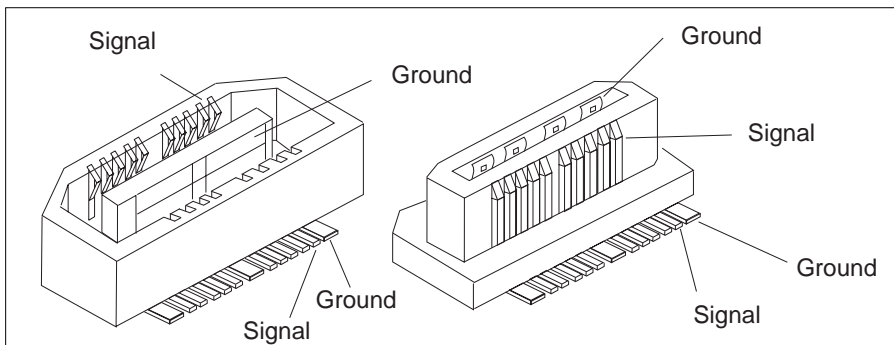
Item	Specifications
Operating temperature range	-55° to +85 ° C
Rated current	0.2A DC
Rated voltage	24V AC
Contact resistance	80mΩ max
Insulation resistance	500V DC, 100MΩ min.
Dielectric withstand voltage	150V AC, 1 min.



MATERIALS

Item	Material
Insulator	LCP
Conductor	Copper alloy
Plating	Surface finish of contact: PAGOS® Terminal: palladium

1. OUTER VIEW



2. HIGH FREQUENCY DATA

a. Cross talk (%)

Rise Time 2.33ns		2.33ns (150MHz)	1.16ns (300MHz)	0.58ns (600MHz)
Crosstalk %	Near end	0.32	1.47	2.56
	Far end	0.36	1.37	2.43

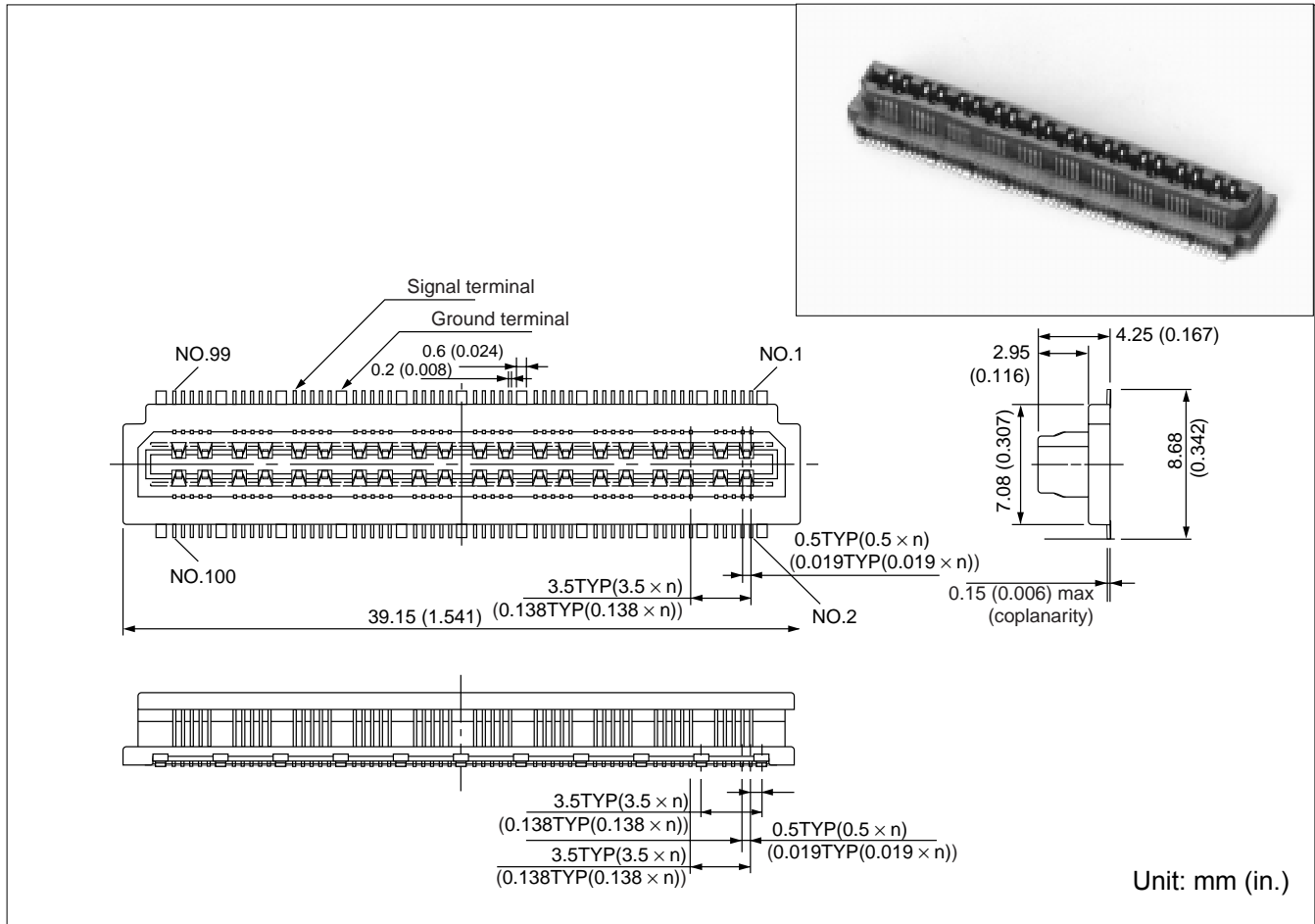
b. Characteristic impedance (Ω)

	2.33ns (150MHz)	1.16ns (300MHz)	0.58ns (600MHz)
Characteristic impedance (Ω)	53.07~53.63	53.56~53.93	51.16~59.60

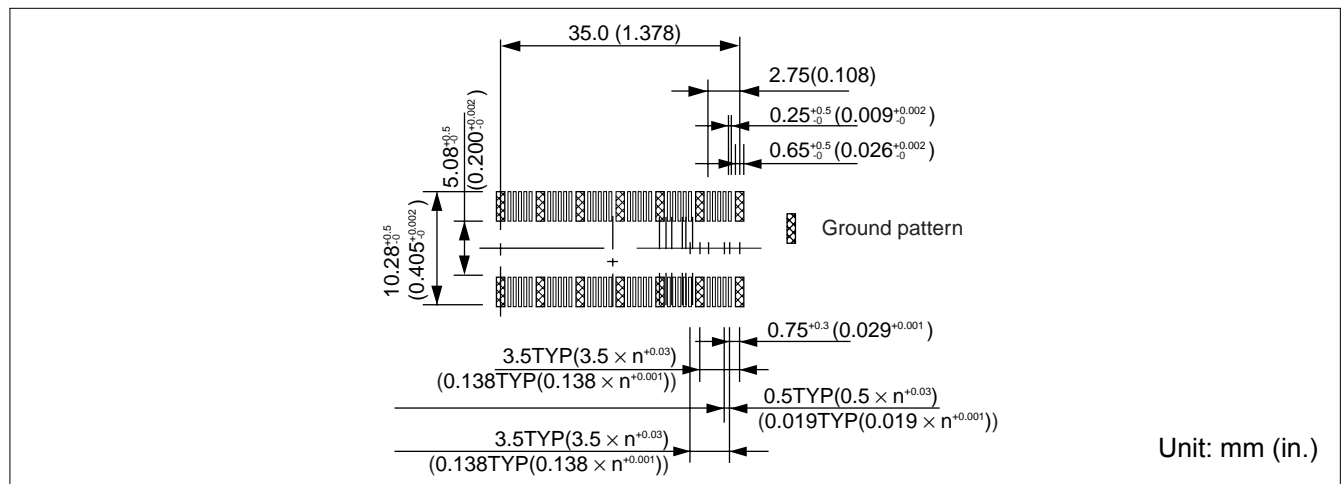
290H Series (0.5mm supports high-speed signals, stacking)

SOCKET, SMT

DIMENSIONS



PC board mounting pattern



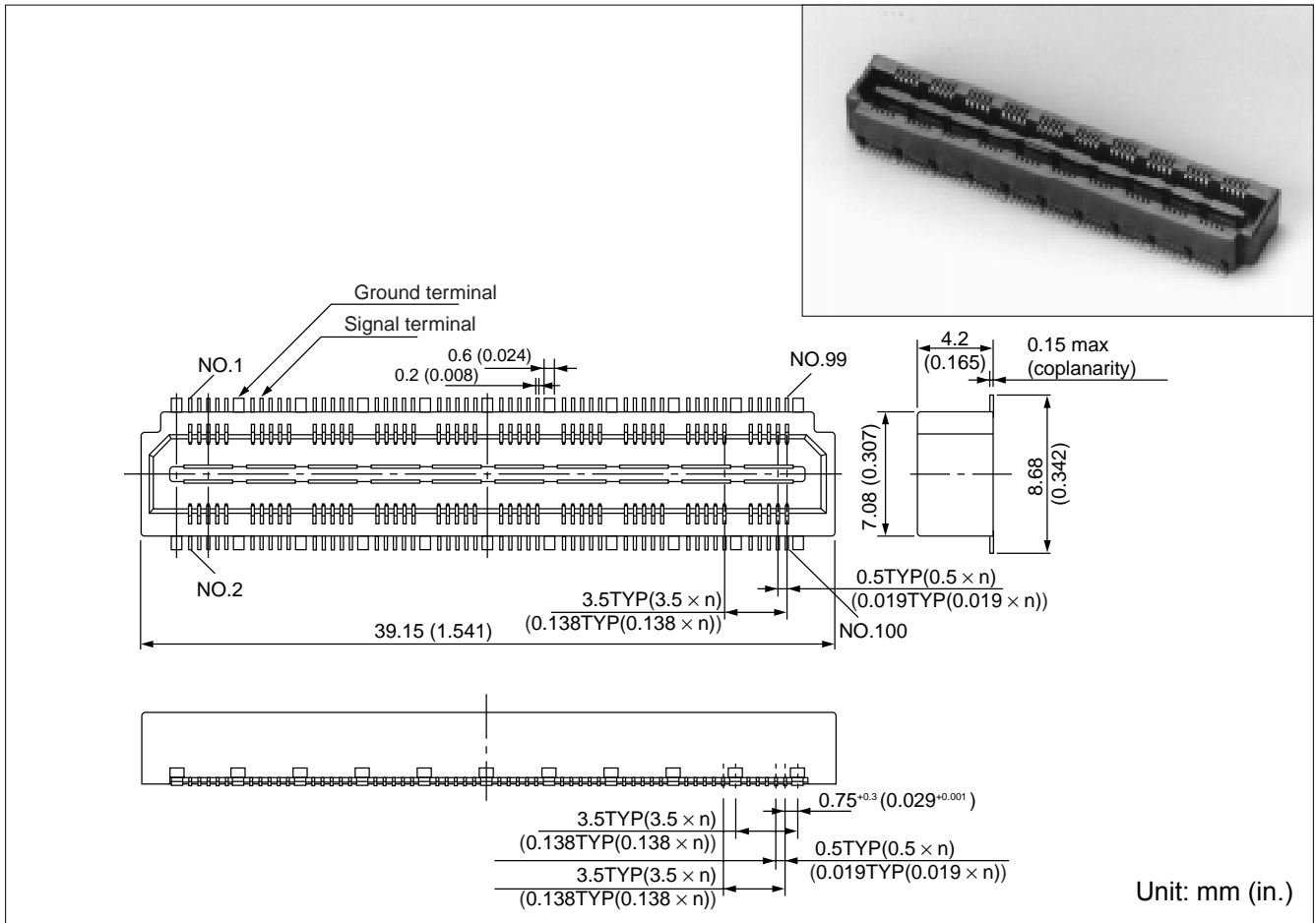
ORDERING PART NUMBER

FCN-298P100-L/0H

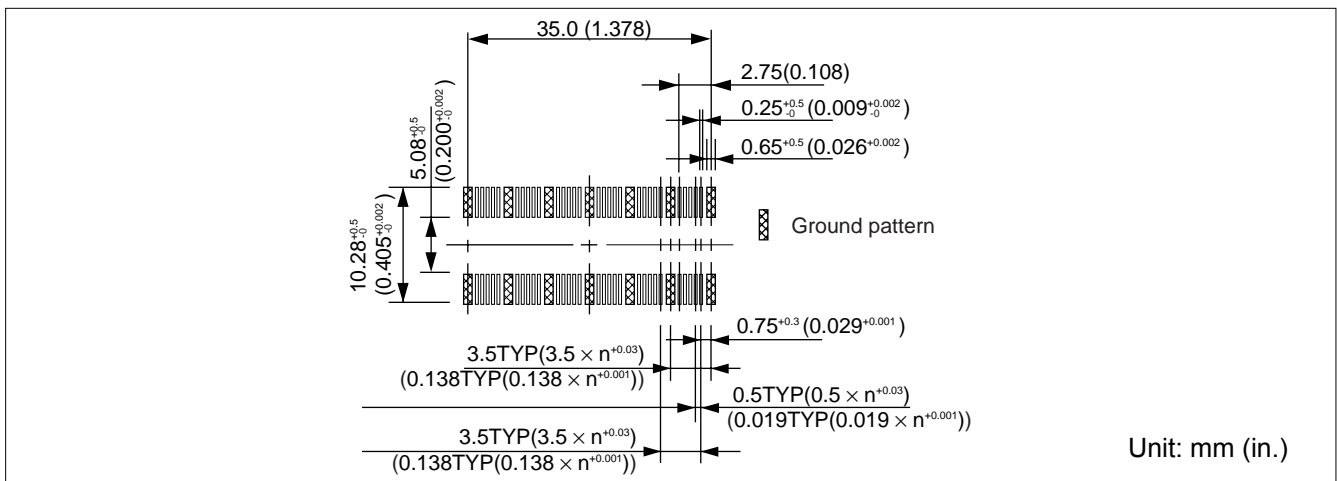
290H Series (0.5mm supports high-speed signals, stacking)

PLUG, SMT

DIMENSIONS



PC BOARD MOUNTING PATTERN (MOUNTING SIDE)



ORDERING PART NUMBER

FCN-298J100-L/0H

290H Series (0.5mm supports high-speed signals, stacking)

Fujitsu Components International Headquarter Offices

Japan

Fujitsu Component Limited
Gotanda-Chuo Building
3-5, Higashigotanda 2-chome, Shinagawa-ku
Tokyo 141, Japan
Tel: (81-3) 5449-7010
Fax: (81-3) 5449-2626
Email: promothq@ft.ed.fujitsu.com
Web: www.fcl.fujitsu.com

North and South America

Fujitsu Components America, Inc.
250 E. Caribbean Drive
Sunnyvale, CA 94089 U.S.A.
Tel: (1-408) 745-4900
Fax: (1-408) 745-4970
Email: marcom@fcai.fujitsu.com
Web: www.fcai.fujitsu.com

Europe

Fujitsu Components Europe B.V.
Diamantlaan 25
2132 WV Hoofddorp
Netherlands
Tel: (31-23) 5560910
Fax: (31-23) 5560950
Email: info.marketing@fceu.fujitsu.com
Web: www.fceu.fujitsu.com

Asia Pacific

Fujitsu Components Asia Ltd.
102E Pasir Panjang Road
#04-01 Citilink Warehouse Complex
Singapore 118529
Tel: (65) 375-8560
Fax: (65) 273-3021
Email: fcal@fcal.fujitsu.com
www.fcal.fujitsu.com

© 2001 Fujitsu Components America, Inc. All company and product names are trademarks or registered trademarks of their respective owners. Rev. 09/2001