

Discontinued

FUJITSU Component Connector FCN-118X series (Grounding Springs)

Fujitsu grounding springs for mobile devices

Overview

Fujitsu Components' grounding spring FCN-118X provides secure frame grounding between pc board and frame of mobile devices such as smart phones and tablet PCs. Its unique side-wing structure increases the spring's rigidity and strength to resist deformation from applied outside force.

Features

- Unique side-wing structure prevents deformation from applied outside force (patent pending)
- Wide working range with three product options
- Capable to use as power contact
- Custom designs possible
- RoHS compliant

Item	Specification
Contact resistance	40mΩ (20mVDC, 1mA)
Attach/remove endurance	50mΩ (after 10 attachments/removals)
Operating temperature	-40 to +85°C, 95RH% max.
Storage temperature	-10 to +40°C, 90RH% max. (no frost)

Item	Material
Base material	Copper alloy
Surface treatment	Gold plated nickel

■ Part numbers and dimensions

Part number	Dimensions (LxWxH mm)	Flexion range (mm)	Working range (mm)	Contact Force (N)
FCN-118X001-G/0	3.7 x 1.4 x 2.05	0.80	1.25 ~ 1.8	1.0±0.3 (at height = 1.4mm)
FCN-118X003-G/0	3.0 x 1.3 x 2.85	0.75	2.1 ~ 2.4	1.0±0.3 (at height = 2.25mm)
FCN-118X004-G/0	3.7 x 1.4 x 1.8	0.95	0.85 ~ 1.4	0.8±0.2 (at height = 0.8mm)



FCN-118X001-G/0

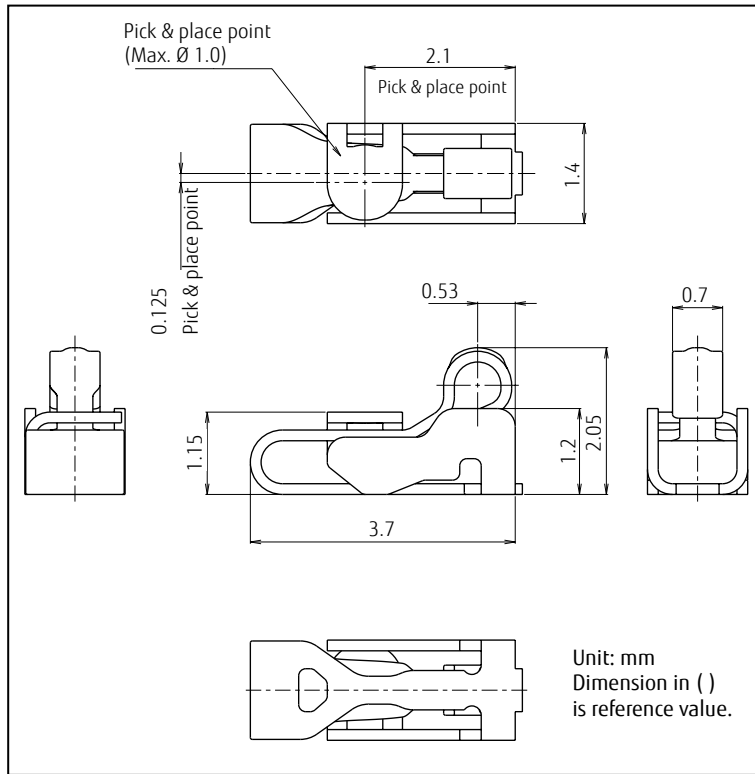


FCN-118X003-G/0

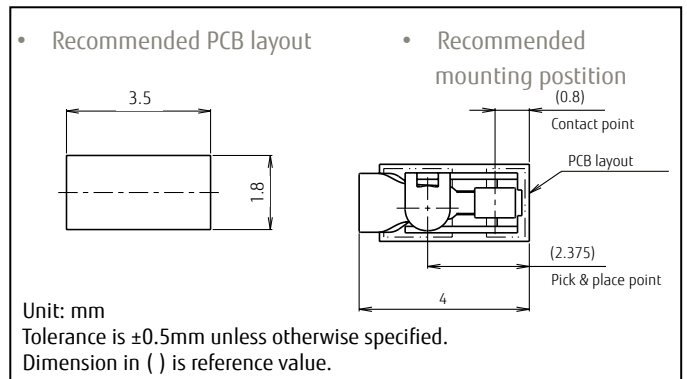


FCN-118X004-G/0

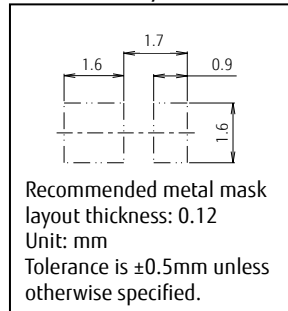
■ FCN-118X001-G/0
 ■ Dimensions



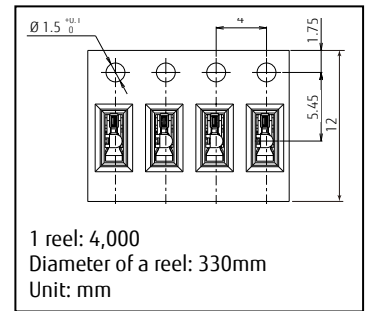
■ Mounting Position



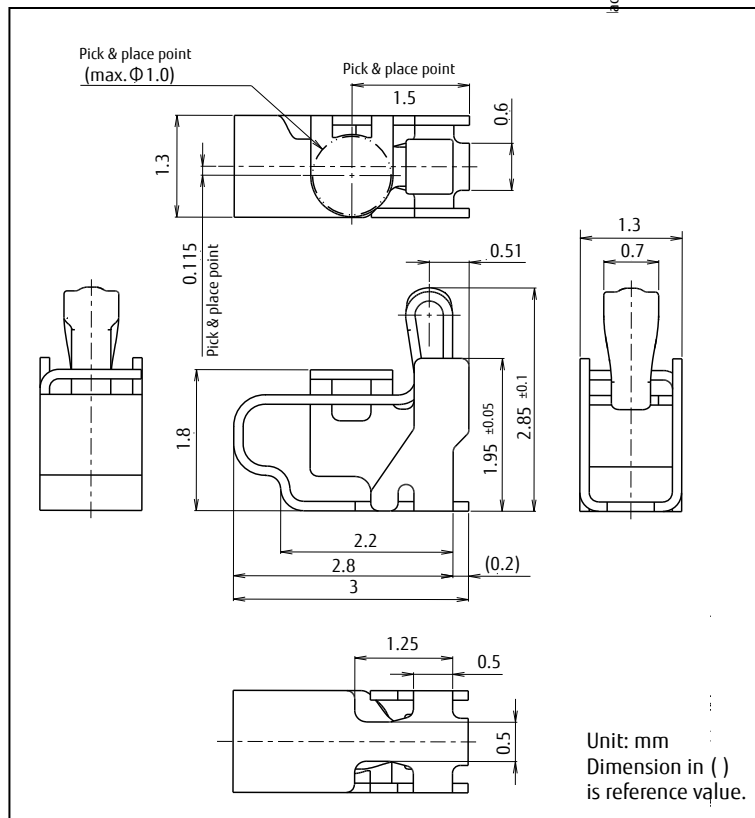
■ Recommended metal mask layout



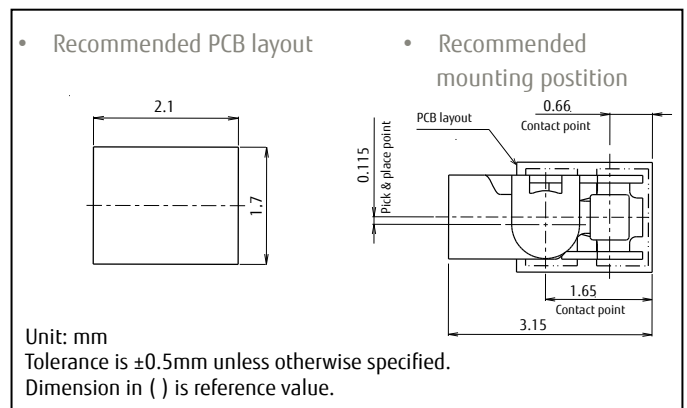
■ Packaging



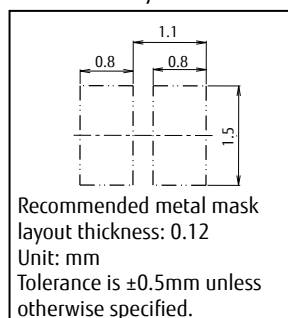
■ FCN-118X003-G/0
 ■ Dimensions



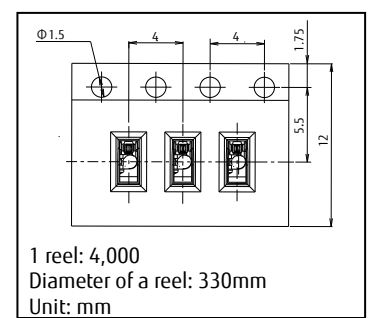
■ Mounting Position



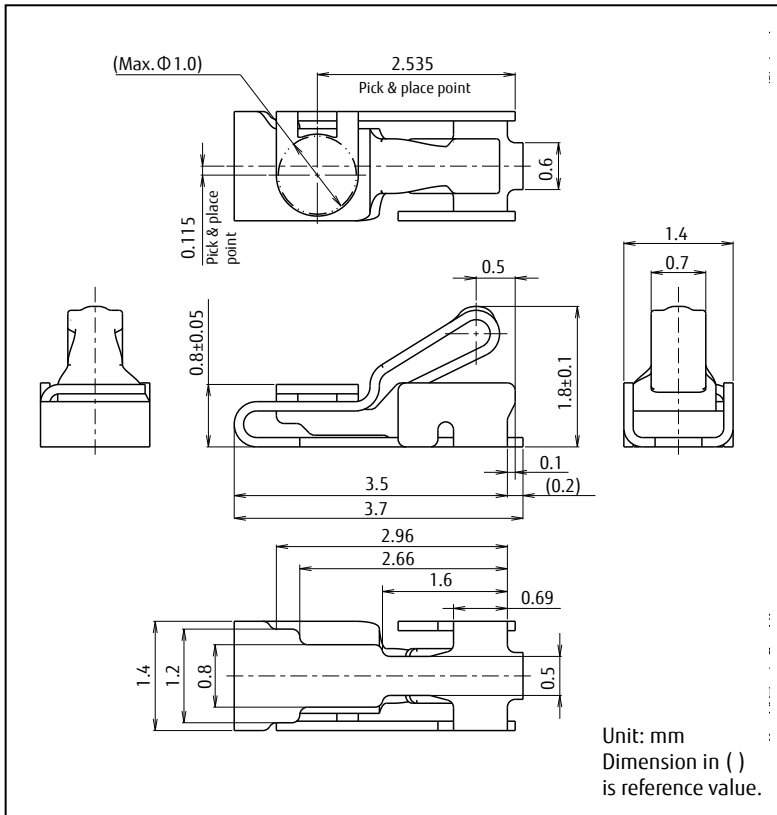
■ Recommended metal mask layout



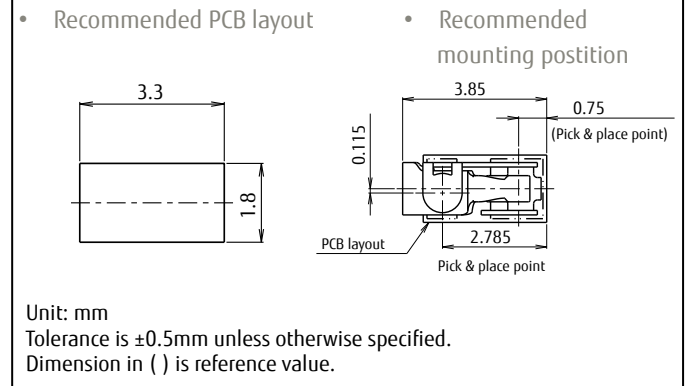
■ Packaging



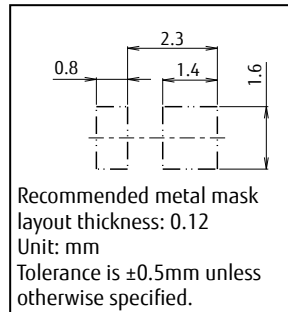
■ FCN-118X004-G/O
 ■ Dimensions



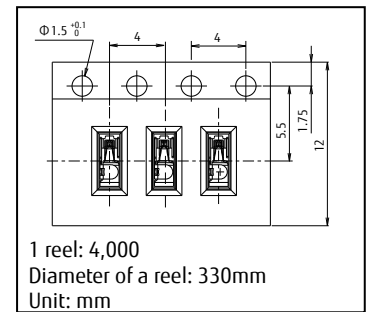
■ Mounting Position



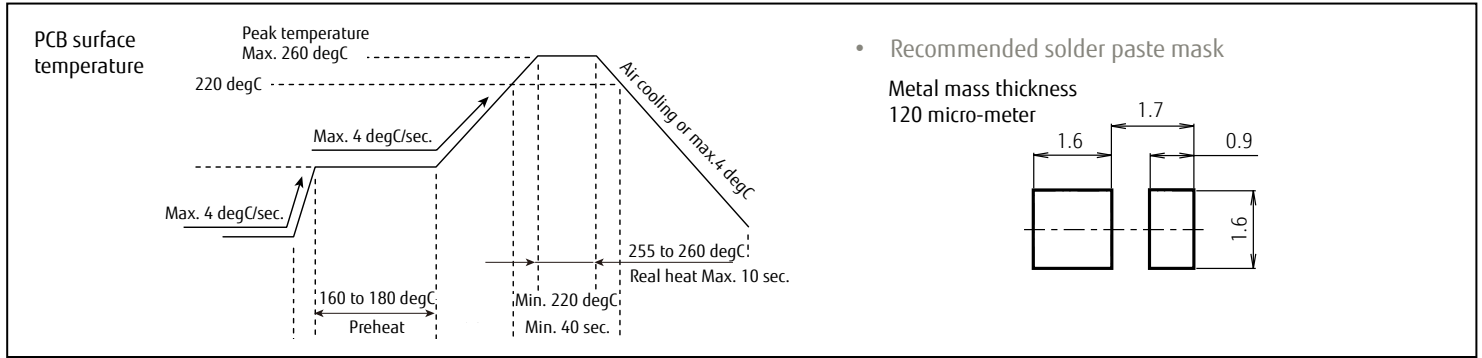
■ Recommended metal mask layout



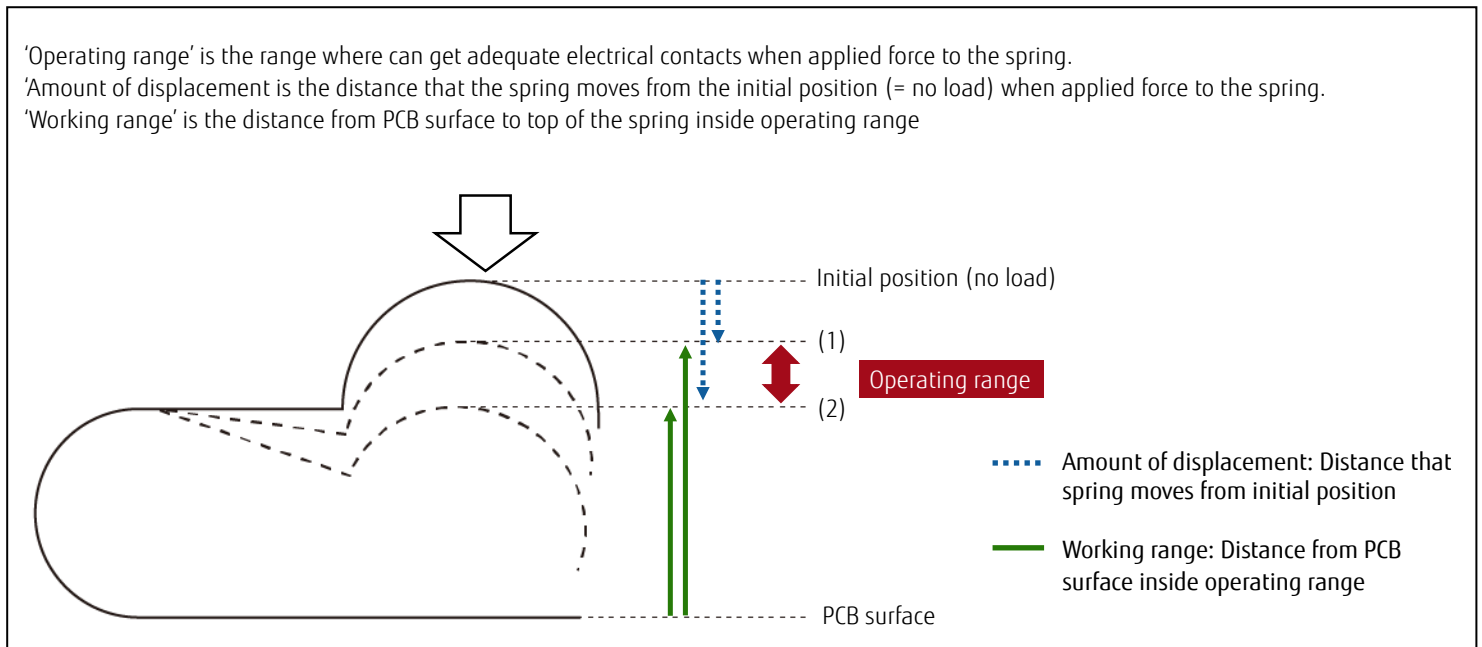
■ Packaging



■ Recommended Soldering Conditions



■ Amount of displacement and working range



Contact

Japan
FUJITSU COMPONENT LIMITED
Shinagawa Seaside Park Tower
12-4, Higashi-shinagawa 4-chome,
Tokyo 140 0002, Japan
Tel: (81-3) 3450-1681
Fax: (81-3) 3474-2385
Email: fcl-contact@cs.jp.fujitsu.com
Web: www.fujitsu.com/jp/group/fcl/en/

Europe
FUJITSU COMPONENTS EUROPE B.V.
Diamantlaan 25
2132 WV Hoofddorp
Netherlands
Tel: (31-23) 5560910
Fax: (31-23) 5560950
Email: info@fceu.fujitsu.com
Web: emea.fujitsu.com/components/

China
FUJITSU ELECTRONIC COMPONENTS
(SHANGHAI) CO., LTD.
Unit 4306, InterContinental Center
100 Yu Tong Road, Shanghai 200070, China
Tel: (86 21) 3253 0998 / Fax: (86 21) 3253 0997
Email: fcal@sg.fujitsu.com
www.fujitsu.com/sg/products/devices/
components/

Korea
FUJITSU COMPONENTS KOREA, LTD.
Alpha Tower #403,
645 Sampyeong-dong,
Bundang-gu, Seongnam-si,
Gyeonggi-do, 13524 Korea
Tel: (82 31) 708-7108
Fax: (82 31) 709-7108
Email: fcal@sg.fujitsu.com
www.fujitsu.com/sg/products/
devices/components/

North and South America
FUJITSU COMPONENTS AMERICA, INC.
2290 North First Street, Suite 212
San Jose, CA 95131 U.S.A.
Tel: (1-408) 745-4900
Fax: (1-408) 745-4970
Email: components@us.fujitsu.com
Web: http://us.fujitsu.com/components/

Asia Pacific
FUJITSU COMPONENTS ASIA, Ltd.
102E Pasir Panjang Road
#01-01 Citilink Warehouse Complex,
Singapore 118529
Tel: (65) 6375-8560 / Fax: (65) 6273-3021
Email: fcal@sg.fujitsu.com
www.fujitsu.com/sg/products/devices/
components/

Hong Kong
FUJITSU COMPONENTS HONG KONG Co., Ltd.
Room 06, 28/F, Greenfield Tower, Concordia
Plaza, No.1 Science Museum Road,
Tsim Sha Tsui East, Kowloon, Hong Kong
Tel: (852) 2881 8495 Fax: (852) 2894 9512
Email: fcal@sg.fujitsu.com
www.fujitsu.com/sg/products/devices/
components/

Copyright

All trademarks or registered trademarks are the property of their respective owners. Fujitsu Components America or its affiliates do not warrant that the content of datasheet is error free. In a continuing effort to improve our products Fujitsu Components America, Inc. or its affiliates reserve the right to change specifications/datasheets without prior notice. Copyright ©2018 Fujitsu Components America, Inc. All rights reserved. Revised January 9, 2018.