

DDR-3 DIMM Vertical Mount Socket

FCN-07 Series

RoHS compliant

■ FEATURES

- DDR-3: 240pin DIMM socket connector (press-fit or through hole type)
- Fujitsu original unique structure for twin contact points structure.

Item	Specification
Operating temperature range	-55°C to +85°C
Current rating	DC 0.5A
Voltage rating	AC 25V
Contact resistance	40mΩ maximum (DC 20mv, 10mA)
Dielectric withstanding voltage	AC 500V for 1 minute
Insulation resistance	1,000MΩ minimum (DC500V)
Insertion force	155.7N (about 15.9kgf) less than
Compliant pin insertion force	4,800N (about 489.5kgf) less than

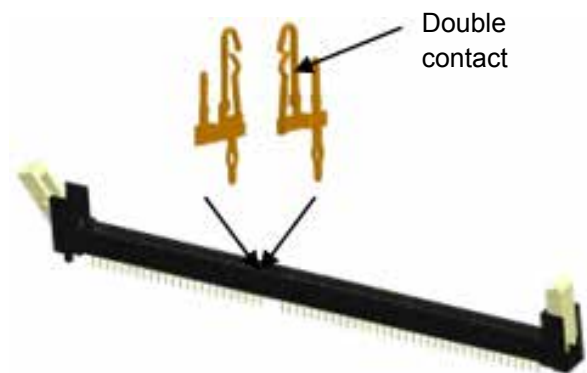
■ MATERIALS

Item	Specification	
Insulating material	LCP, UL94 V-0	
Conductor	Copper Alloy	
Plating	Contact	Gold plating
	Compliant	Tin plating
Hook	LCP, UL94V-0	

Plastic tray quantity: 40 pieces/tray
 Container quantity: 200 pieces



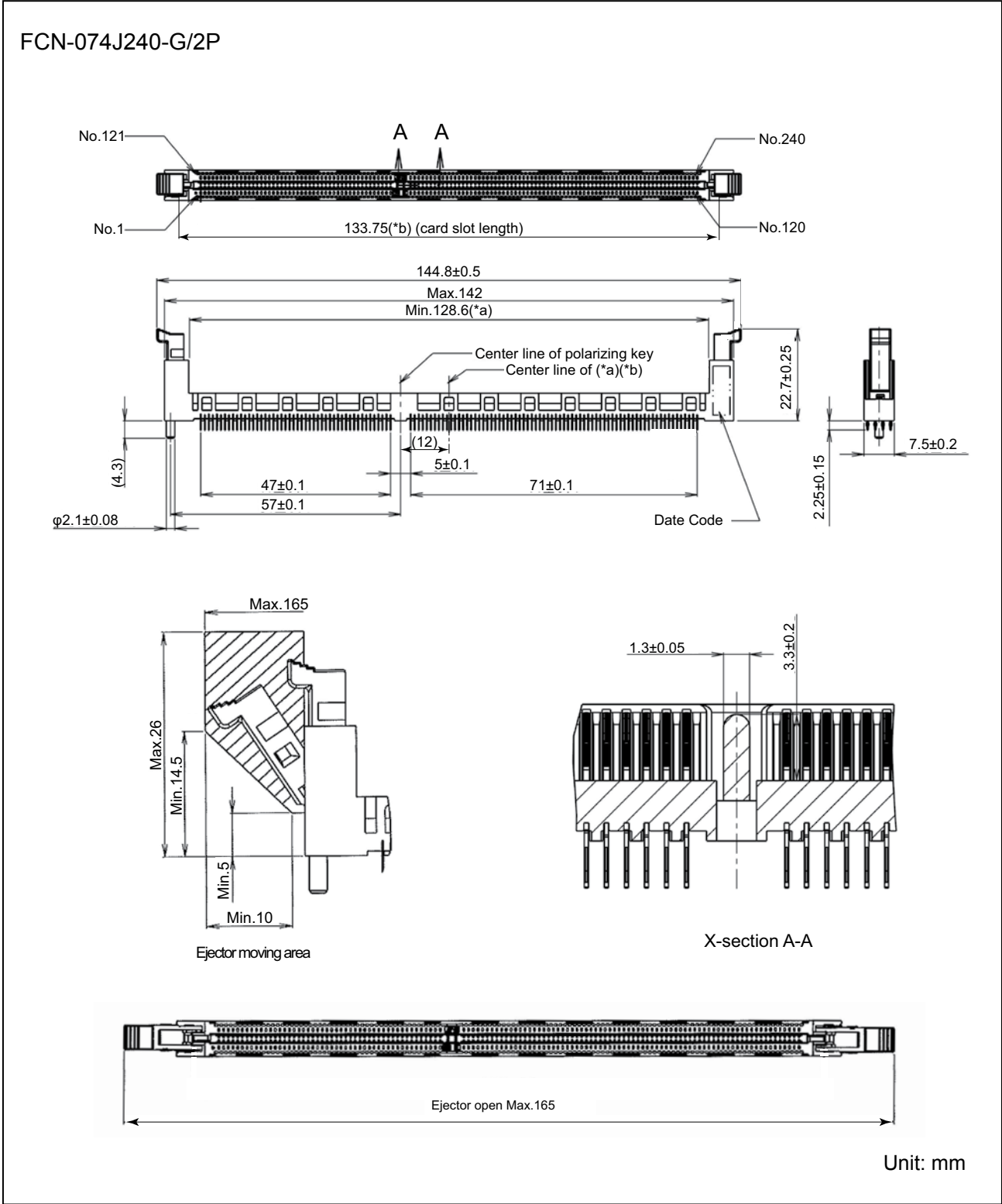
Fujitsu's FCN-07 DDR-3 DIMM socket is a vertical mount press-fit socket. The unique contact structure provides for twin points of contact that insure that dust is wiped clean when module is installed. In addition, the twin points guarantee constant contact between the module and contact even in a high vibration environment.



DDR-3DIMM Vertical Mount Socket

■ SPECIFICATIONS

Press-fit version

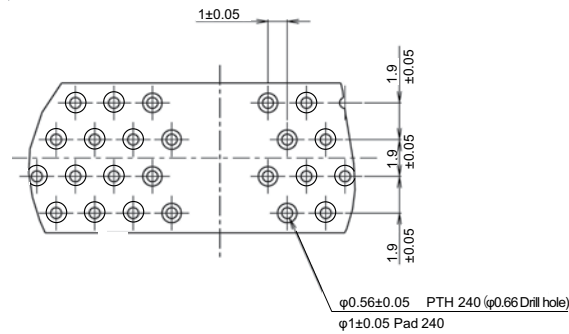
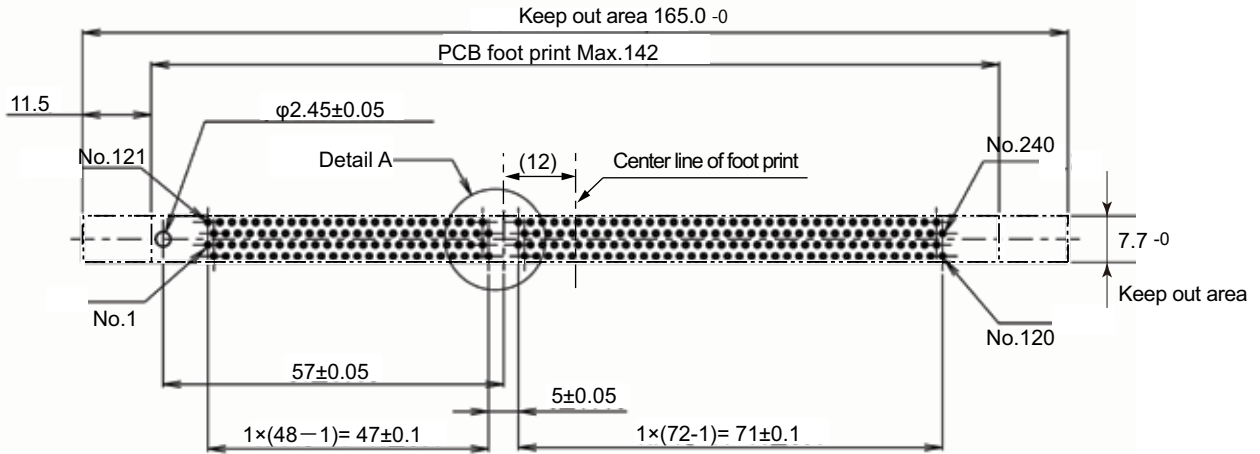


DDR-3DIMM Vertical Mount Socket

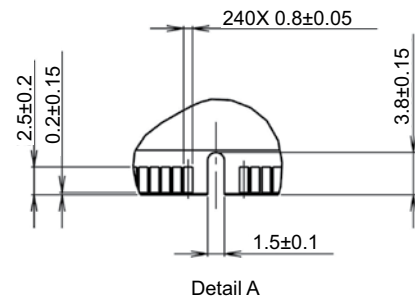
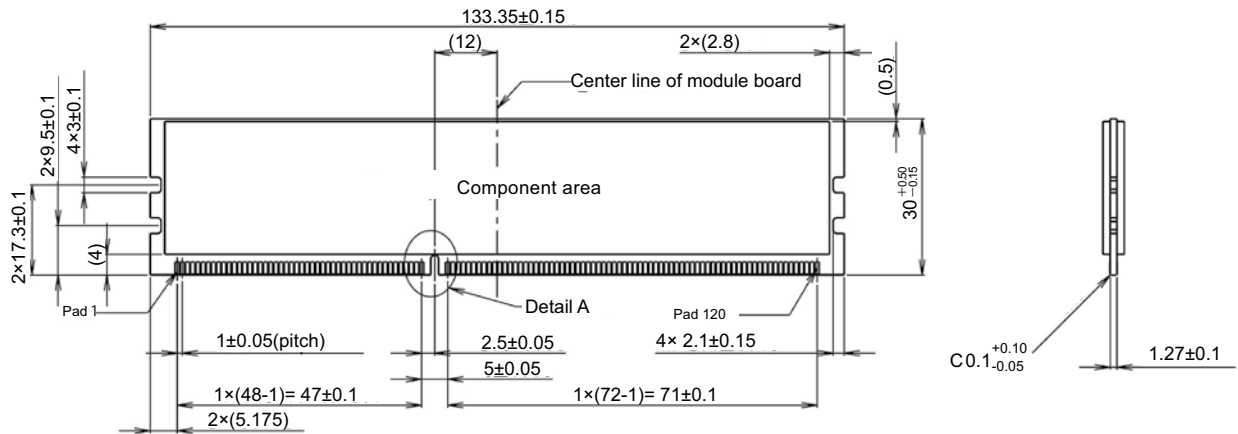
■ SPECIFICATIONS

Press-fit version

FCN-074J240-G/2P



Applicable substrate thickness (mm): 1.6 min.



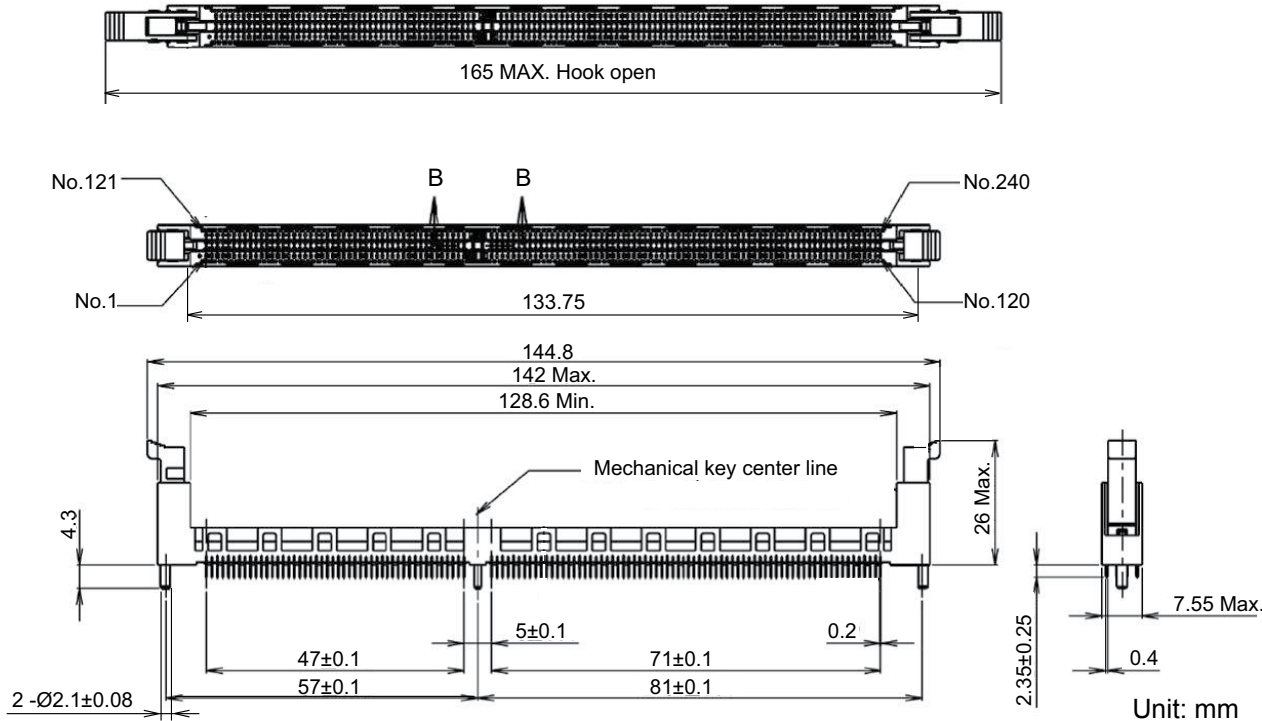
Unit: mm

DDR-3DIMM Vertical Mount Socket

■ SPECIFICATIONS

Through-hole solder version

FCN-074J240-G/1D

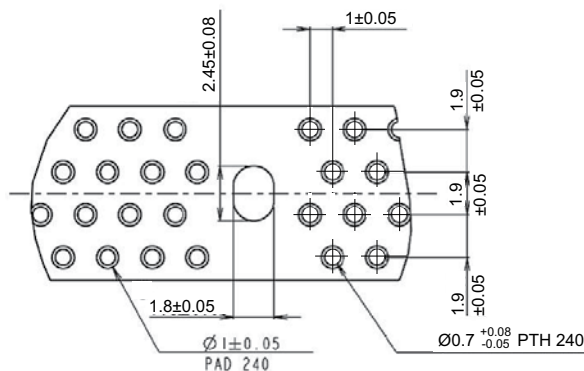
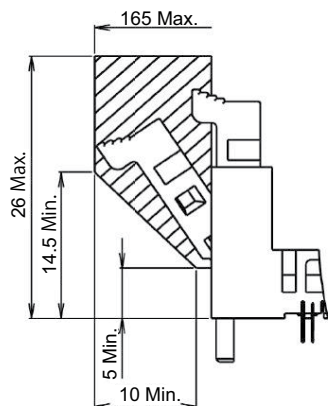


DDR-3DIMM Vertical Mount Socket

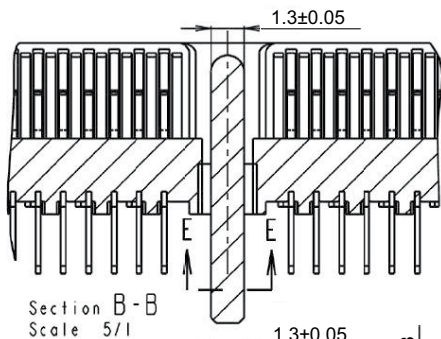
■ SPECIFICATIONS

Through-hole solder version

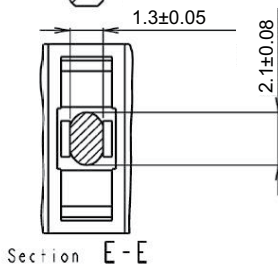
FCN-074J240-G/1D



Detail "C"
Scale 5/1

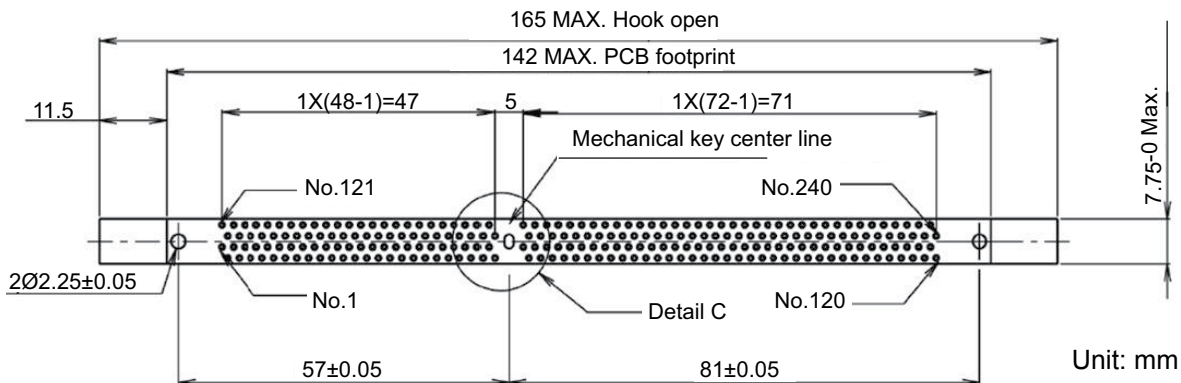


Section B-B
Scale 5/1



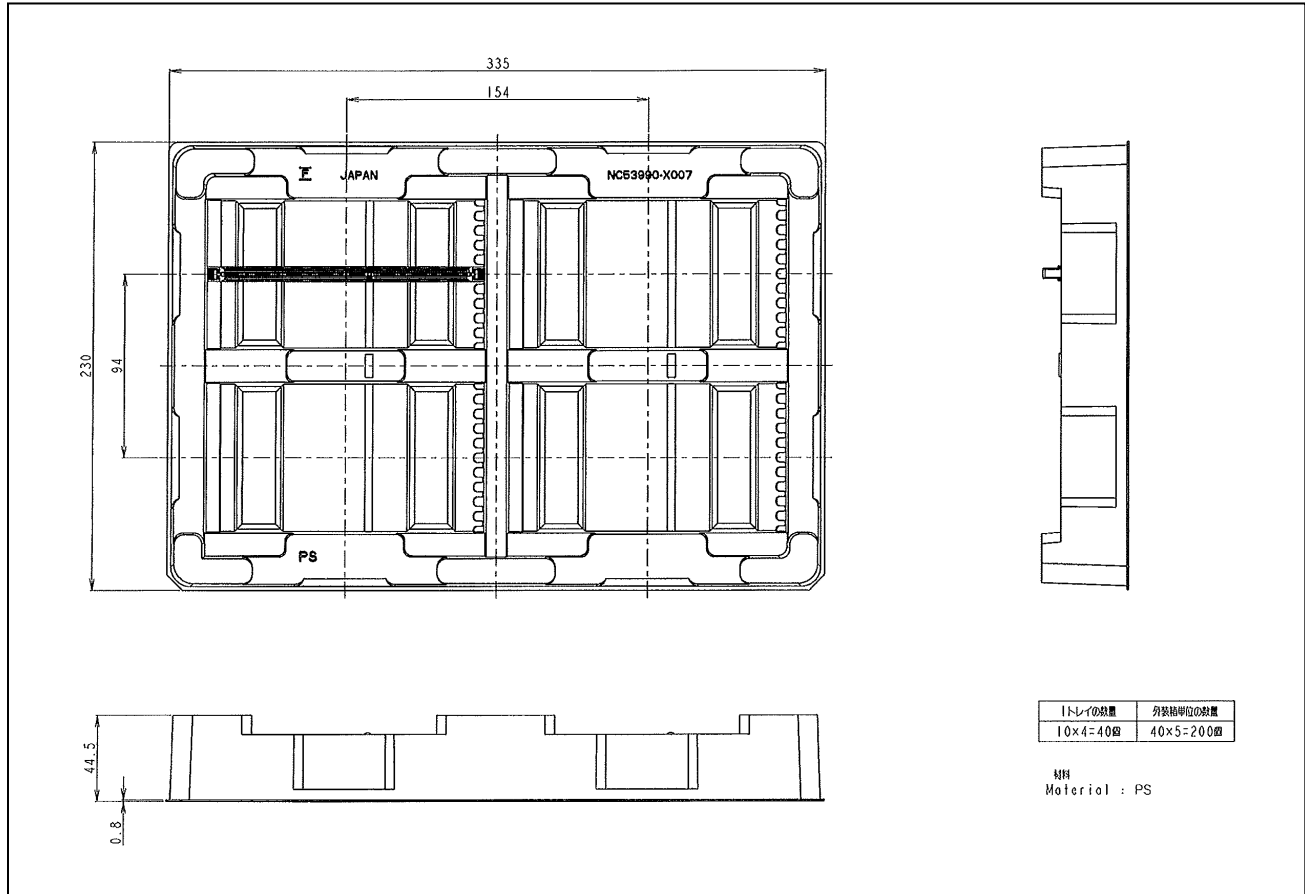
Section E-E

Applicable substrate
thickness (mm): 1.6



DDR-3DIMM Vertical Mount Socket

PACKAGING TRAY



Contact

Japan

FUJITSU COMPONENT LIMITED
Shinagawa Seaside Park Tower
12-4, Higashi-shinagawa 4-chome,
Tokyo 140 0002, Japan
Tel: (81-3) 3450-1681
Fax: (81-3) 3474-2385
Email: fcl-contact@cs.jp.fujitsu.com
Web: www.fujitsu.com/jp/group/fcl/en/

North and South America

FUJITSU COMPONENTS AMERICA, INC.
2290 North First Street, Suite 212
San Jose, CA 95131 U.S.A.
Tel: (1-408) 745-4900
Fax: (1-408) 745-4970
Email: components@us.fujitsu.com
Web: http://us.fujitsu.com/components/

Europe

FUJITSU COMPONENTS EUROPE B.V.
Diamantlaan 25
2132 WV Hoofddorp
Netherlands
Tel: (31-23) 5560910
Fax: (31-23) 5560950
Email: info@fceu.fujitsu.com
Web: emea.fujitsu.com/components/

Asia Pacific

FUJITSU COMPONENTS ASIA, Ltd.
102E Pasir Panjang Road
#01-01 Citilink Warehouse Complex,
Singapore 118529
Tel: (65) 6375-8560 / Fax: (65) 6273-3021
Email: fcal@sg.fujitsu.com
www.fujitsu.com/sg/products/devices/
components/

China

FUJITSU ELECTRONIC COMPONENTS
(SHANGHAI) CO., LTD.
Unit 4306, InterContinental Center
100 Yu Tong Road, Shanghai 200070, China
Tel: (86 21) 3253 0998 / Fax: (86 21) 3253 0997
Email: fcal@sg.fujitsu.com
www.fujitsu.com/sg/products/devices/
components/

Hong Kong

FUJITSU COMPONENTS HONG KONG Co., Ltd.
Room 06, 28/F, Greenfield Tower, Concordia
Plaza, No.1 Science Museum Road,
Tsim Sha Tsui East, Kowloon, Hong Kong
Tel: (852) 2881 8495 Fax: (852) 2894 9512
Email: fcal@sg.fujitsu.com
www.fujitsu.com/sg/products/devices/
components/

Korea

FUJITSU COMPONENTS KOREA, LTD.
Alpha Tower #403,
645 Sampyeong-dong,
Bundang-gu, Seongnam-si,
Gyeonggi-do, 13524 Korea
Tel: (82 31) 708-7108
Fax: (82 31) 709-7108
Email: fcal@sg.fujitsu.com
www.fujitsu.com/sg/products/
devices/components/

Copyright

All trademarks or registered trademarks are the property of their respective owners. Fujitsu Components America or its affiliates do not warrant that the content of datasheet is error free. In a continuing effort to improve our products Fujitsu Components America, Inc. or its affiliates reserve the right to change specifications/datasheets without prior notice. Copyright ©2017 Fujitsu Components America, Inc. All rights reserved. Revised November 7, 2017.