

DL900 DOT MATRIX PRINTER

PARTS CATALOGUE



DL900
DOT MATRIX PRINTER
PARTS CATALOGUE

FUJITSU LIMITED
Communications and Electronics
Tokyo, Japan

REVISION RECORD		
Edition	Date published	Revised contents
01	February, 1991	First edition
Specification No. 62FH6501E		

The contents of this manual may be revised without prior notice.

All Rights Reserved, Copyright © 1991 FUJITSU LIMITED. Printed in Japan.
No part of this manual may be reproduced in any form without permission.

Address your comments and inquiries on this manual to:

FUJITSU AMERICA, INC.
3055 Orchard Drive, San Jose
CA 95134-2017, U.S.A.
TEL: (1-408) 432-1300
FAX: 432-1318
TLX: 176207

FUJITSU FRANCE S.A.
17, rue Olof palme
94006 Créteil cedex, FRANCE
TEL: (33-43) 99 40 00
FAX: 99 07 00
TLX: 262 661

FUJITSU AUSTRALIA LIMITED
475 Victoria Avenue, Chatswood
N.S.W., 2067, AUSTRALIA
TEL: (61-2) 410-4555
FAX: 411-8603
TLX: 25233

FUJITSU HONG KONG LIMITED
Room 1831, Sun Hung Kai Centre
30 Harbour Road, HONG KONG
TEL: (852-5) 8915780
FAX: 742917
TLX: 62667

FUJITSU CANADA, INC.
6280 Northwest Drive, Mississauga
Ontario, L4V 1J7, CANADA
TEL: (1-416) 673-8666
FAX: 673-8677
TLX: 968132

FUJITSU ITALIA S.p.A.
Via Melchiorre Gioia, 8-20124 Milano, ITALY
TEL: (39-2) 6572741
FAX: 6572257
TLX: 350142

FUJITSU DEUTSCHLAND GmbH
Frankfurter Ring 211
8000 München 40, F.R. GERMANY
TEL: (49-89) 32378-0
FAX: 32378-100
TLX: 897106

FUJITSU NORDIC AB
Torggatan 8, S-171 54 Solna, SWEDEN
TEL: (46-8) 764 7690
FAX: 28 03 45
TLX: 13411

FUJITSU ESPAÑA, S.A.
Edificio Torre Europa
Paseo de la Castellana 95, Madrid 28046, SPAIN
TEL: (34-1) 581-8000
FAX: 581-8300
TLX: 23887

FUJITSU LIMITED
International Operations
Marunouchi 1-6-1, Chiyoda-ku, Tokyo 100, JAPAN
TEL: (81-3) 3216-3211
FAX: 3213-7174
TLX: J22833
Cable: "FUJITSU LIMITED TOKYO"

FUJITSU EUROPE LIMITED
2 Longwalk Road, Stockley Park, Uxbridge
Middlesex, UB11 1AB, ENGLAND
TEL: (44-81) 573-4444
FAX: 573-2643
TLX: 263871

CONTENTS

1. HOW TO REFER TO THIS MANUAL	1
2. PARTS LIST AND PARTS DRAWINGS OF WHOLE PRINTER LEVEL	3
3. SPECIFICATION	4
4. PARTS LIST AND PARTS DRAWING OF PRINTER MECHANISM	5
4-1 DL900 Printer	6
4-2 Printer Assembly	9
4-3 Mechanism Assembly	13
4-4 Carriage Unit	17
4-5 Paper Feed Motor Unit	19
4-6 Tractor Unit	21

This is parts catalogue for DL900 DOT MATRIX PRINTER.

This manual is for service engineers.

There are several models of DL900 DOT MATRIX PRINTER.

This manual covers all models.

This manual consists of two parts: Parts List and Parts Drawings.
Parts list has layer structure. You can find assembly levels.
Parts drawing does not have the layer structure.
You can see the model difference from the parts list easily.

There are other manuals for service engineers as follows.
Especially maintenance manual has close relationship to this manual.

DL900 DOT MATRIX PRINTER MAINTENANCE MANUAL

DL900 DOT MATRIX PRINTER SCHEMATIC DIAGRAM

DL900 DOT MATRIX PRINTER USER'S MANUAL

DL900 DOT MATRIX PRINTER PRODUCT DESCRIPTION

This document contains technology relating to strategic products controlled by export control laws of the producing and/or exporting countries. This document or a portion thereof should not be exported (or reexported) without authorization from the appropriate governmental authorities in accordance with such laws.

FUJITSU LIMITED

1. HOW TO REFER TO THIS MANUAL

Example

Numbers	Composition & Quantity	Specification	Parts name (Description)	Mono	SP	M/M	Remarks
⑦ → 1-20	1	D06B-5240-B101	Printer	o		⑨	115-120V
⑥ → 1	1	D06B-5240-B111	Printer	o		⑩	220-240V
① → 1	1	D05B-4020-C101	Printer assembly	o		⑫	115-120V
	1	D05B-4020-C111	Printer assembly	o			220-240V
	2	D220-4010-X201	Upper cover	o		4.9.1(3)	
② → 3-4	1	D220-4010-V207	Front cover assembly	o			
	3	D220-4010-X202	Front cover	o			
③ → 4	1	D220-4010-X212	Sound proof	o			
④ → 5-6	1	D220-4010-V206	Top cover assembly	o		4.9.1(3)	
⑤ → 5	1	D220-4010-Y204	Top cover	o			
	6	D220-4010-Y211	Sound proof	o			
⑧ → 7	3	F6-SW2NA-3X8S	Setscrew	o			
	8-12	D220-4010-T310	Control panel assembly	o	*	4.9.1(4)	
	8	D220-4010-X301	Control panel	o			
	9	D220-4010-X302	Control panel sheet	o		⑪	
	10	D860-1164-V801	Control board assembly	o			
	12	D220-4010-X308	Insulating sheet	o			

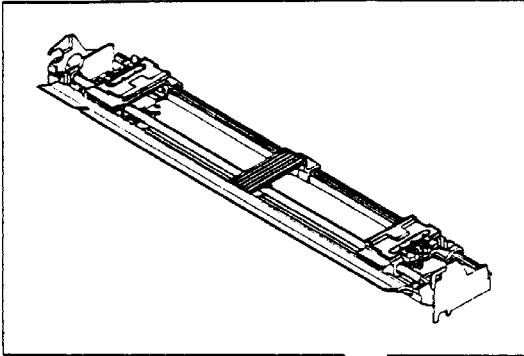
- ① Item number shows the component in the drawing.
- ② ③ This shows the construction level.
④ ⑤ ② level of component has ③ and ④.
⑥ ⑦ ② and ⑤ are in the same level and belong to the
⑧ same upper level component (in this case ⑥, ⑦.)

Note: ③ and ④ are in the same level as ⑧.
But ③ and ④ belong to ②.

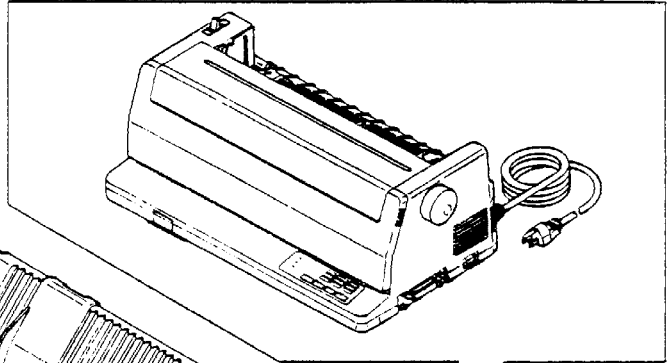
- ⑨ ⑩ These show model difference information.
- ⑨ shows that component ⑦ belongs to DL900.
⑩ shows that component ⑥ does not belong to MONOCROM model.
- ⑪ ⑪ shows recommended spare parts.
- ⑫ ⑫ show reference section in maintenance manual.

2. PARTS LIST AND PARTS DRAWINGS OF WHOLE PRINTER LEVEL

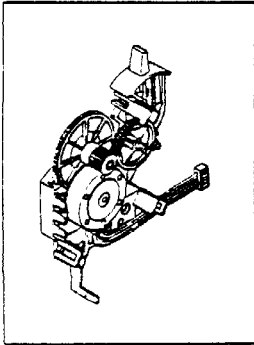
Tractor unit ;



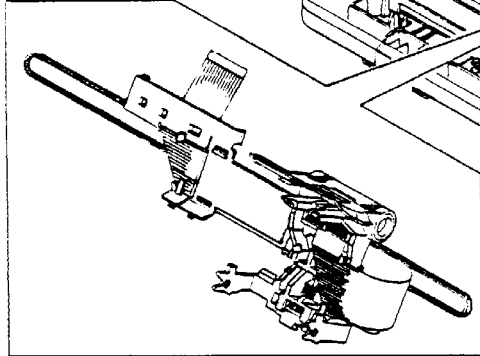
DL900 Printer;



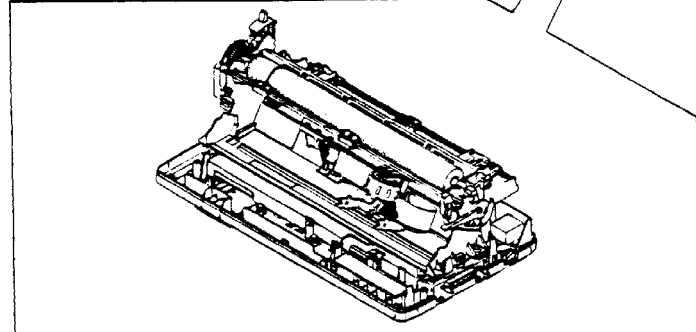
Paper feed motor unit ;



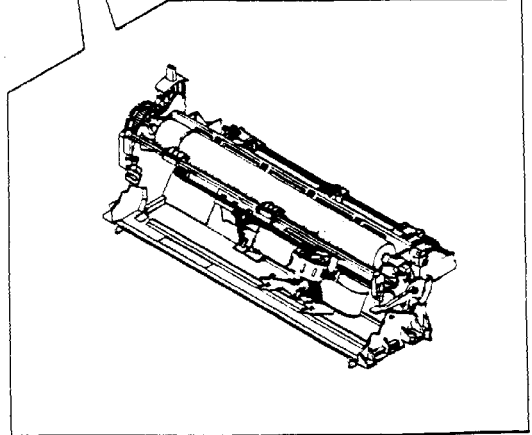
Carriage unit ;



Printer assembly ;



Mechanism assembly ;



3. SPECIFICATION: DL900

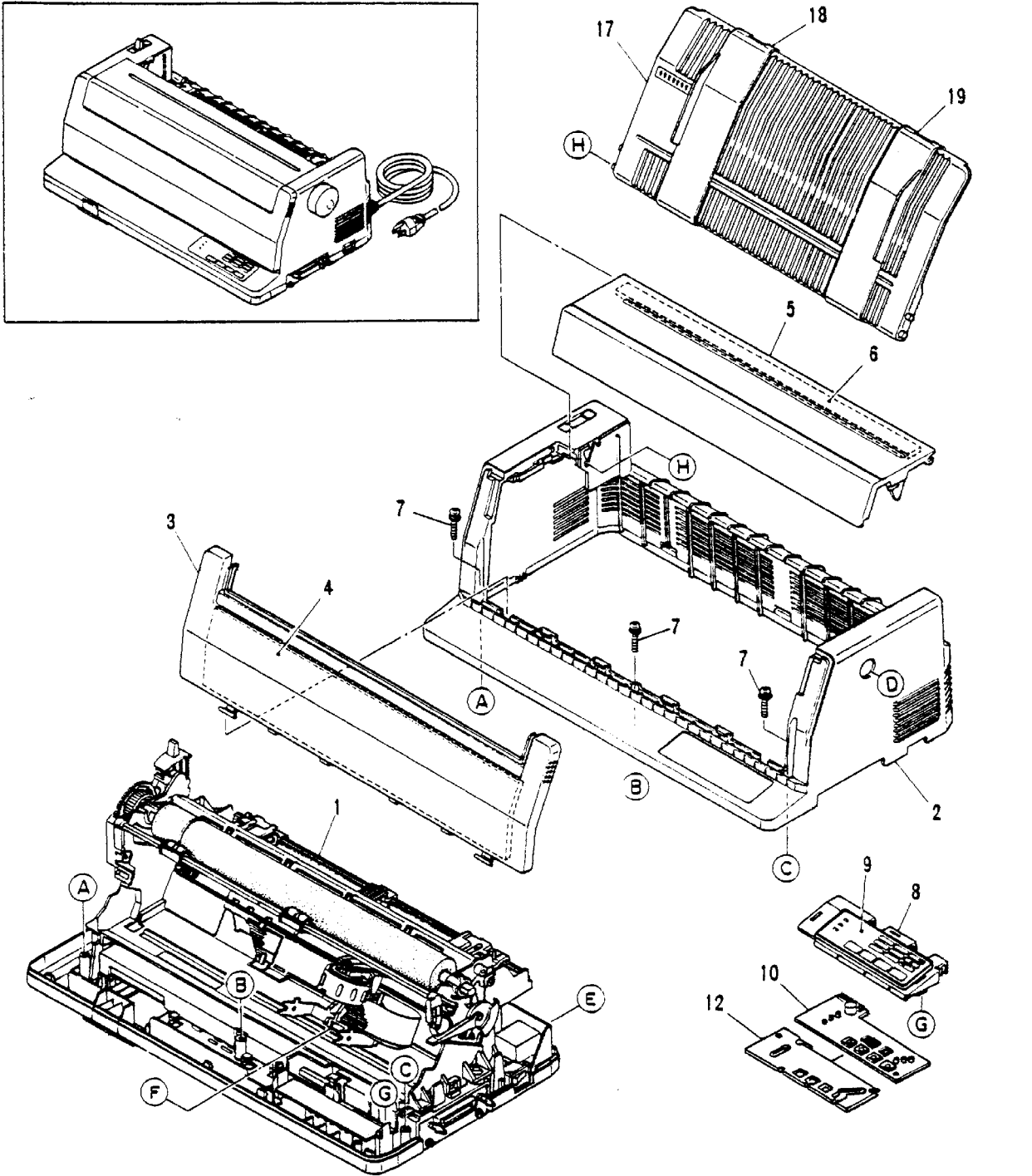
The table below lists standard DL900s.

	Input voltage		Remarks
	100-120 V	220-240 V	
D06B-5240-B101	o	-	
D06B-5240-B111	-	o	

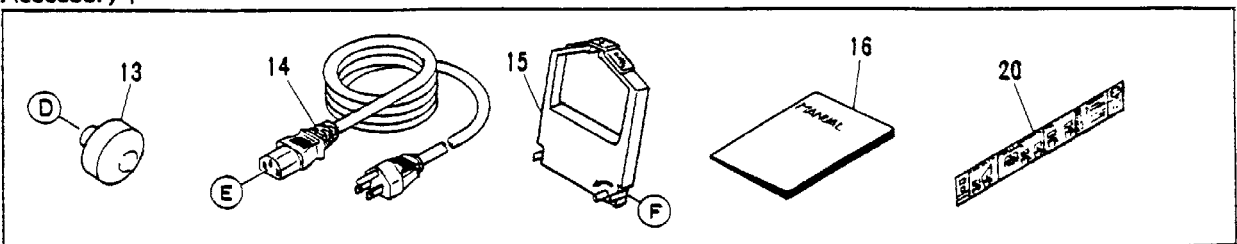
Note: The DL900 series includes the standard devices above and individual models. They differ mainly in the nameplate and accessories; e.g., manual, power cables, warranties, setup seal and individually requested items.

4. PARTS LIST AND PARTS DRAWING OF PRINTER MECHANISM

4-1 DL900 Printer



Accessory :



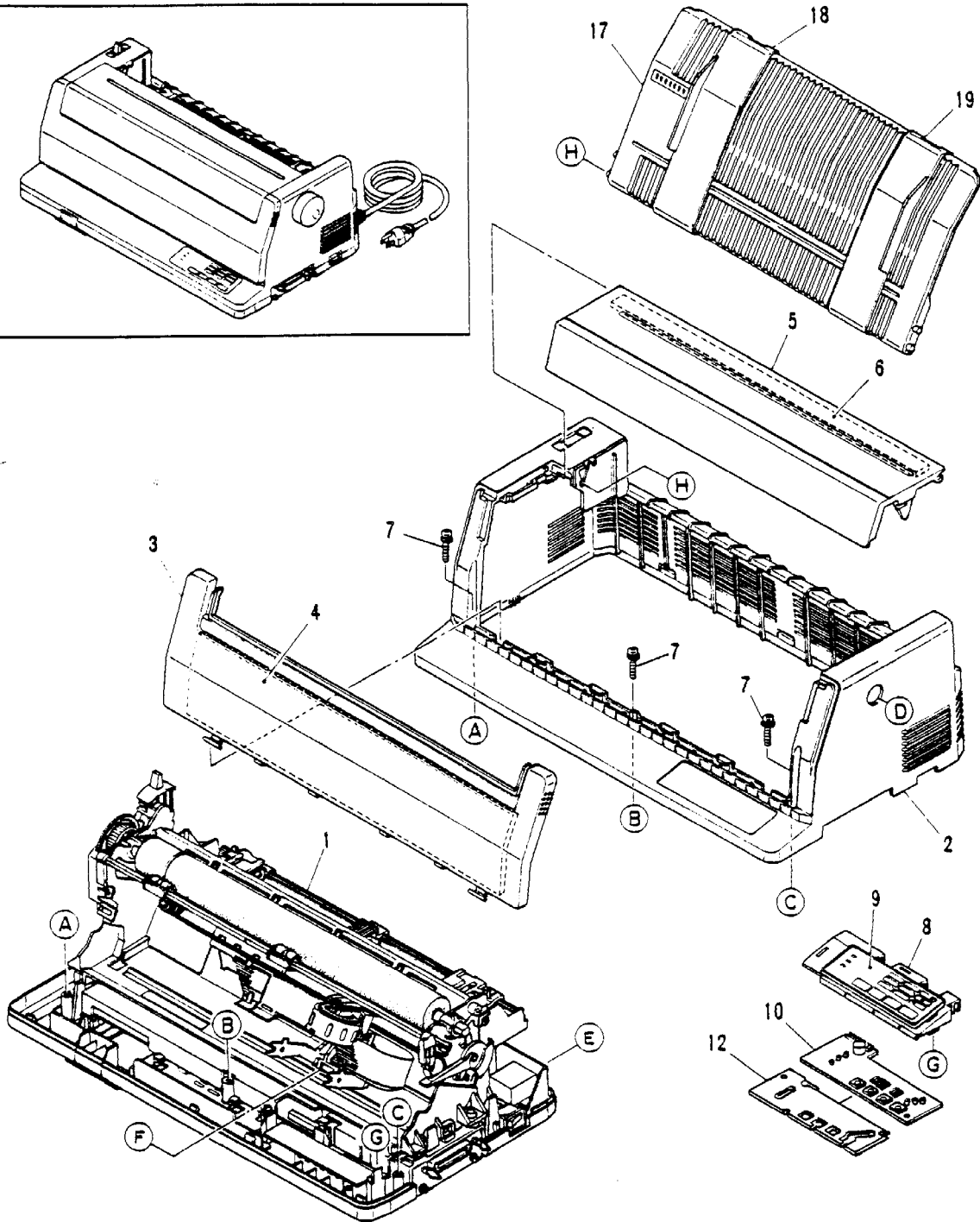
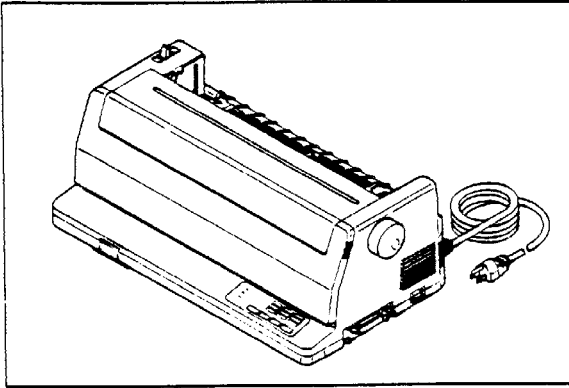
4-1 DL900 Printer

Numbers	Composition & Quantity			Specification	Parts name (Description)	Mono	SP	M/M	Remarks
1-20	1			D06B-5240-B101	Printer	o			115-120V
	1			D06B-5240-B111	Printer	o			220-240V
1		1		D05B-4020-C101	Printer assembly	o			115-120V
		1		D05B-4020-C111	Printer assembly	o			220-240V
2		1		D220-4010-X201	Upper cover	o		4.9.1(3)	
3-4		1		D220-4010-V207	Front cover assembly	o			
3			1	D220-4010-X202	Front cover	o			
4			1	D220-4010-X212	Sound proof	o			
5-6		1		D220-4010-V206	Top cover assembly	o		4.9.1(3)	
5			1	D220-4010-Y204	Top cover	o			
6			1	D220-4010-Y211	Sound proof	o			
7		3		F6-SW2NA-3X8S	Setscrew	o			
8-12		1		D220-4010-T310	Control panel assembly	o	*	4.9.1(4)	
8			1	D220-4010-X301	Control panel	o			
9			1	D220-4010-X302	Control panel sheet	o			
10			1	D860-1164-V801	Control board assembly	o			
12			1	D220-4010-X308	Insulating sheet	o			
13-20		1		D06B-5240-H101	Accessory	o			UL/CSA
		1		D06B-5240-H111	Accessory	o			VDE
13			1	D860-1164-X590	Platen knob	o	*	4.9.1(3)	
14			1	CT-SP11-KDK-L3M	Power cord	o			UL/CSA
			1	CT-SP12-KDK-L1.5M	Power cord	o			VDE
15			1	D30L-9001-0939	Ribbon cartridge	o			Monochrome for starter
			1	D30L-9001-0939	Ribbon cartridge	o			Monochrome for supply
16			1	62FH5008E	User's manual	o			Europe
			1	62FH5008E	User's manual	o			America

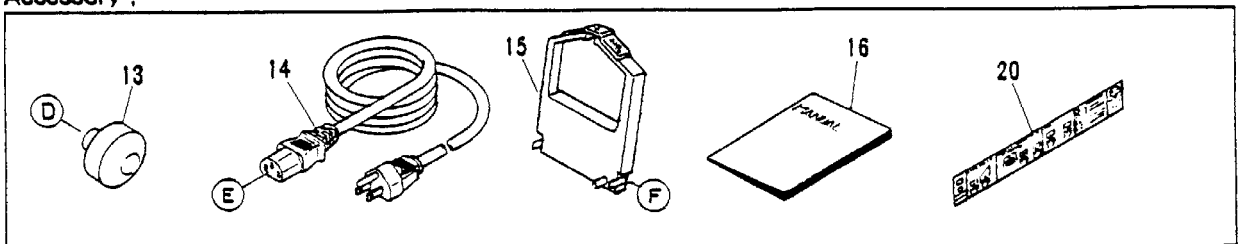
SP * Means "recommended spare parts".

M/M means the section of DL900 DOT MATRIX PRINTER MAINTENANCE MANUAL".

4-1 DL900 Printer



Accessory :



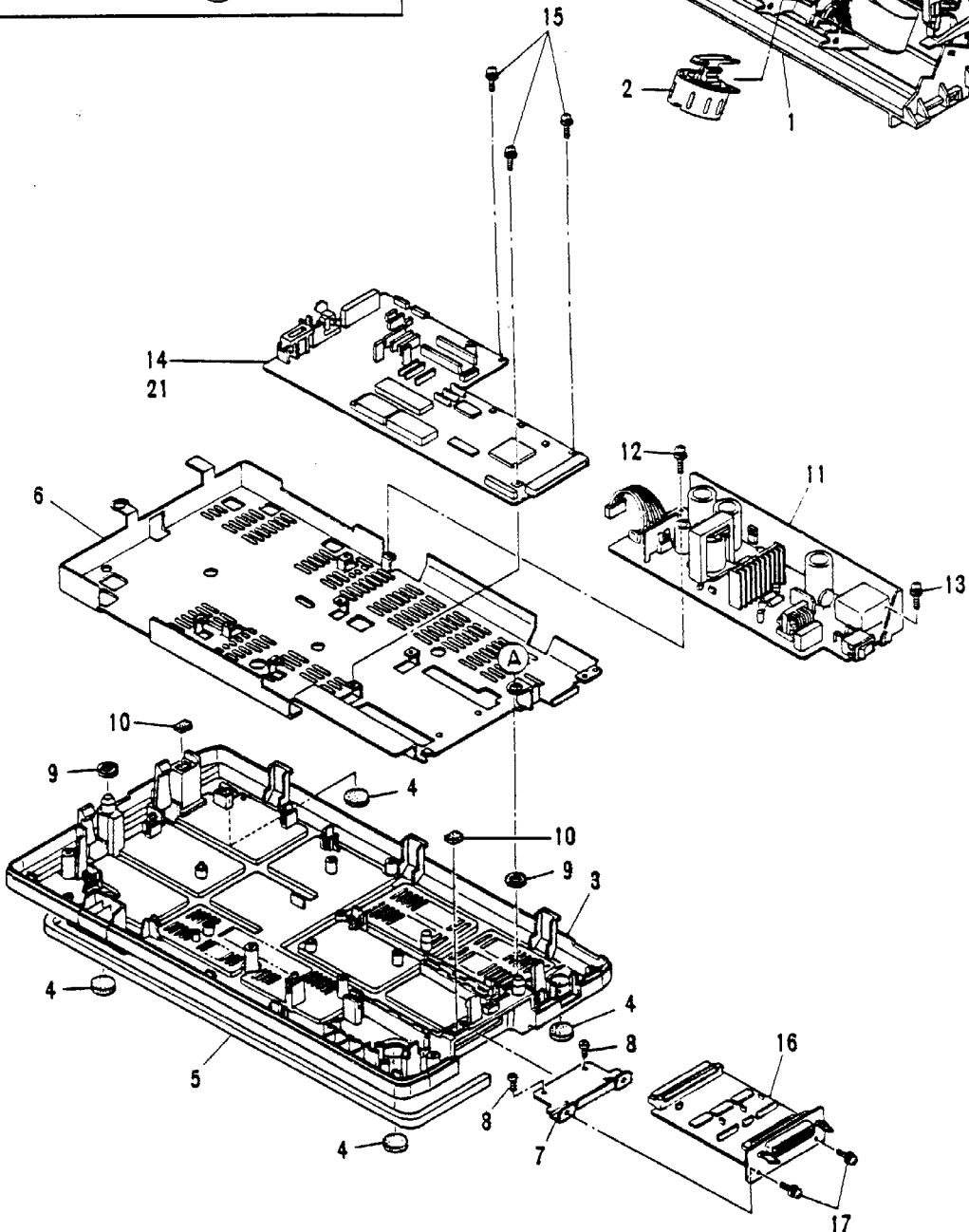
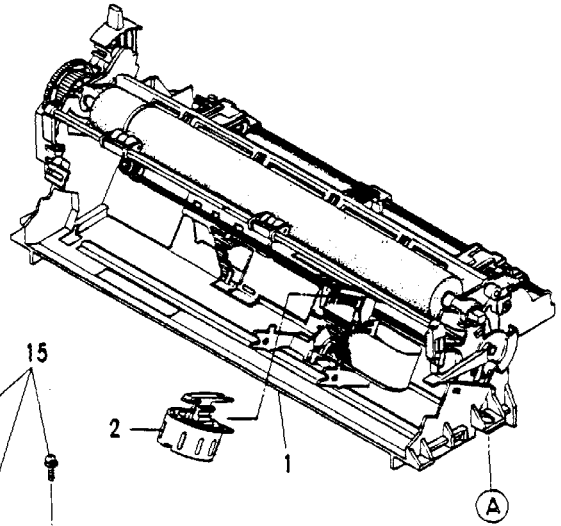
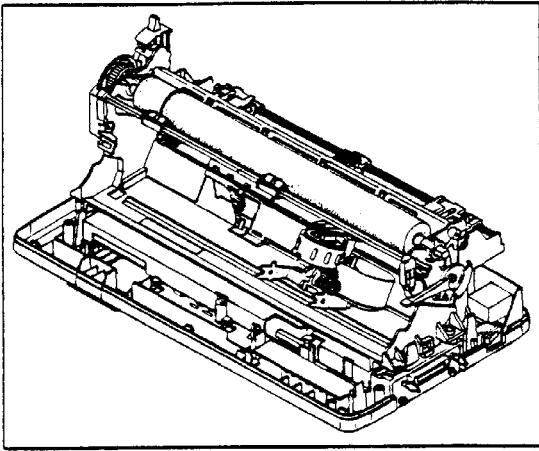
4-1 DL900 Printer - Continued

Numbers	Composition & Quantity		Specification	Parts name (Description)	Mono	SP	M/M	Remarks
17-19		1	D220-4010-V221	Cut sheet stand assembly	o			
17		1	D220-4010-X221	Cut sheet stand	o			
18		1	D220-4010-X222	Paper guide left	o			
19		1	D220-4010-X223	paper guide right	o			
20		1	D370-5801-0541	Setup seal	o			English

SP * Means "recommended spare parts".

M/M means the section of DL900 DOT MATRIX PRINTER MAINTENANCE MANUAL".

4-2 Printer Assembly



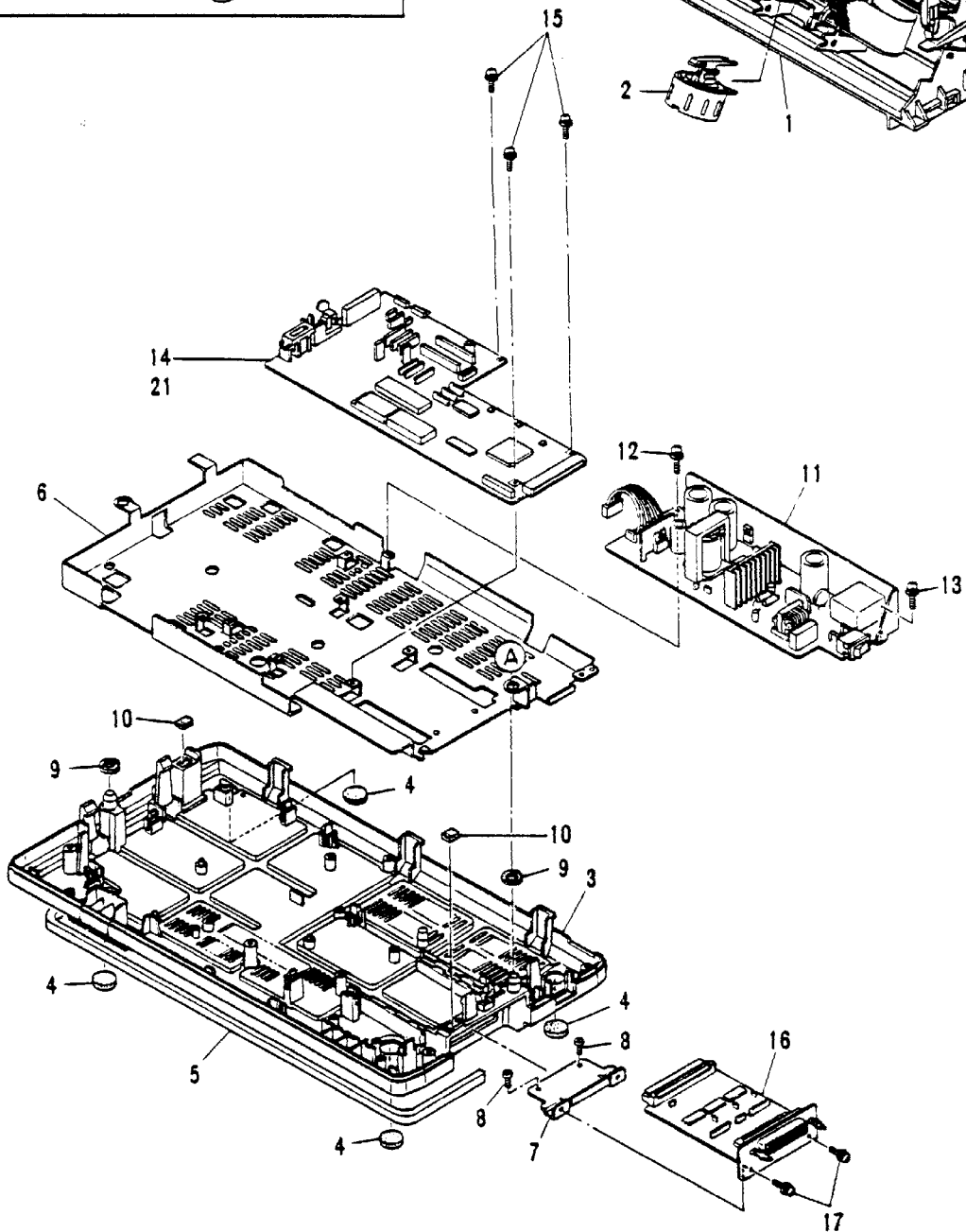
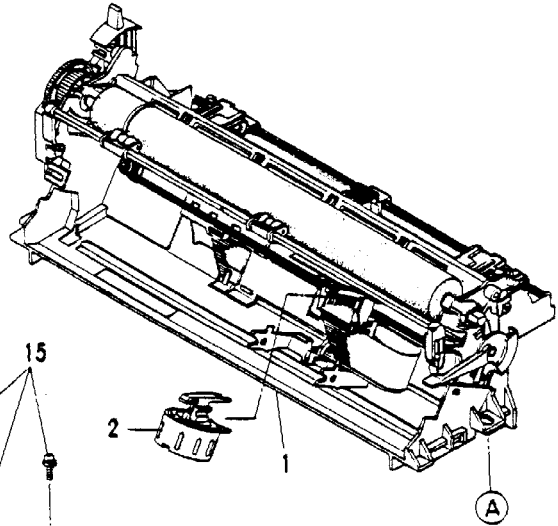
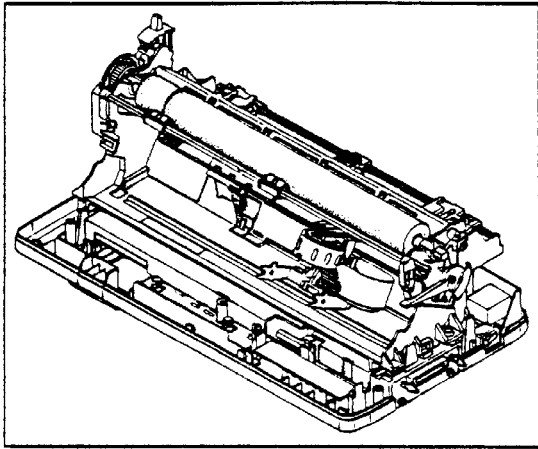
4-2 Printer Assembly

Numbers	Composition & Quantity		Specification	Parts name (Description)	Mono	SP	M/M	Remarks
1-21	1		D05B-4020-C101	Printer	o			115-120V
	1		D05B-4020-C111	Printer	o			220-240V
1-2	1		D86B-1164-B901	Printing mechanism assembly	o		4.9.1(5)	
1-2		1	D86B-1164-C901	Printing mechanism assembly	o	*		
1		1	D860-1164-T107	Mechanism assembly	o			
2		1	D860-1171-D203	Print head	o		4.9.1(11)	
3-10	1		D220-4010-T101	Lower cover assembly	o			
3-5		1	D220-4010-V101	Lower cover sub assembly	o			
3		1	D220-4010-X101	Lower cover	o			
4		4	D220-4010-X104	Rubber foot	o			
5		1	D220-4010-X113	Sound proof	o			
6		1	D220-4010-X102	Shielding plate	o			
7		1	D220-4010-X105	IF shield plate	o			
8		2	F6-SNATP2-3X8	Tapping screw	o			
9		2	D220-4010-X106	Rubber foot	o			
10		2	D220-4010-X107	Rubber foot	o			
11	1		D16B-9678-0801	Power supply board	o	*	4.9.1(8)	PW16BA 115-120V UL/CSA
		1	D16B-9678-0901	Power supply board	o	*	4.9.1(8)	PW16BA 220-240V TUV
12	1		F6-SW2NA-3X8S-M-NI1A	Screw	o			
13	1		F6-SM2NA-4X10S-M-NI1A	Screw	o			
14	1		D16B-9726-0801	Control board	o	*	4.9.1(10)	PC23AA
15	3		F6-SW2NA-3X8S-M-NI1A	Screw	o			

SP * Means "recommended spare parts".

M/M means the section of DL900 DOT MATRIX PRINTER MAINTENANCE MANUAL".

4-2 Printer Assembly



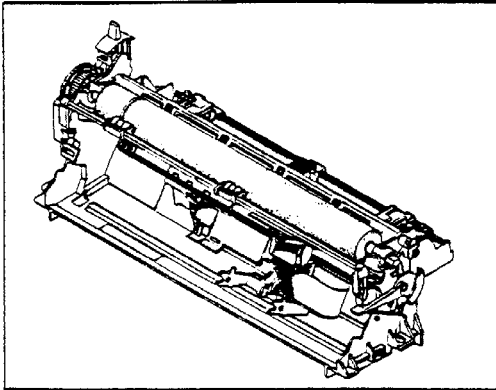
4-2 Printer Assembly - Continued

Numbers	Composition & Quantity		Specification	Parts name (Description)	Mono	SP	M/M	Remarks
16	1		D16B-9666-0701	P.C. board	o	*	4.9.1(9)	PP24AA
	1		D16B-9666-0801	P.C. board	o		4.9.1(9)	Optional Parts PS24AA
17	2		F6-SW2NA-3X8S-M-NI1A	Screw	o			
21	1		D05B-4021-D101	ROM board SK	o	*	4.9.1(10)	

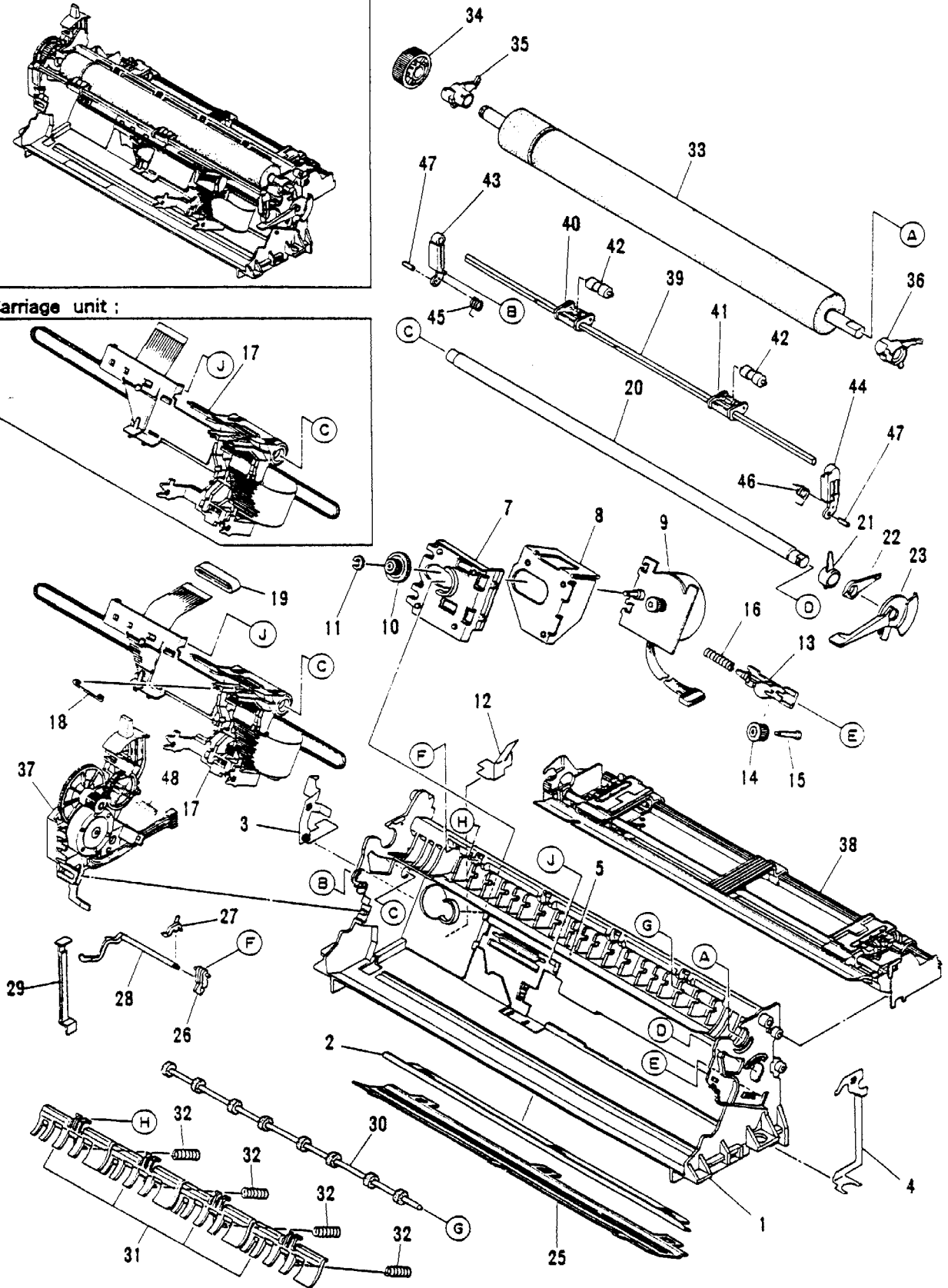
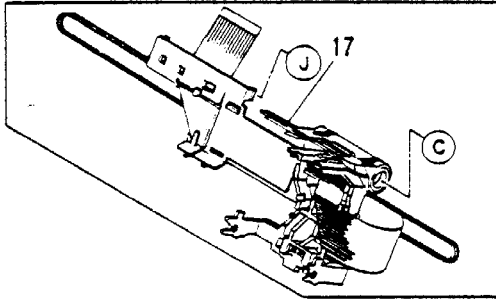
SP * Means "recommended spare parts".

M/M means the section of DL900 DOT MATRIX PRINTER MAINTENANCE MANUAL".

4-3 Mechanism Assembly



Carriage unit :



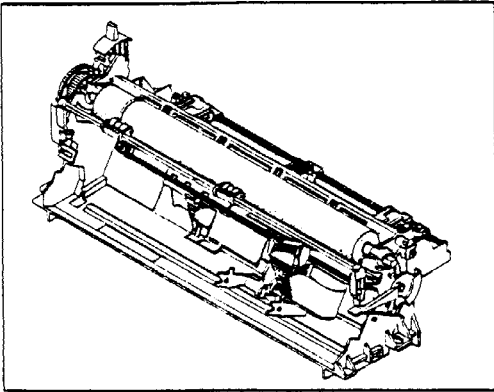
4-3 Mechanism Assembly

Numbers	Composition & Quantity			Specification	Parts name (Description)	Mono	SP	M/M	Remarks
1-47	1			D860-1164-T103	Mechanism assembly	o			
1-6		1		D860-1164-V112	Frame assembly	o			
1			1	D860-1164-X111	Frame	o			
2			1	D860-1164-X114	Front stay	o			
3			1	D860-1164-X208	FG plate left	o			
4			1	D860-1164-X209	FG plate right	o			
5			1	D860-1164-X525	Guide	o			
7-11		1		D860-1164-T202	Carriage drive motor assembly	o	*	4.9.1(15)	
7			1	D860-1164-X202	Motor	o			
8			1	D860-1164-X206	Plate	o			
9			1	D90L-1005-0135	Stepping motor	o			
10			1	D860-1164-V214	Drive pulley	o			
11			1	F6-ER-3SUS	Retaining ring (E-type)	o			
12		1		D860-1164-X119	FG plate SP	o			
13-15		1		D860-1164-T215	Pulley assembly	o			
13			1	D860-1164-X216	Bracket	o			
14			1	D860-1164-V224	Pulley	o			
15			1	D860-1164-X218	Shaft	o			
16		1		D860-1164-X219	Spring	o			
17		1		D860-1164-T303	Carriage unit	o	*		
18		1		D860-1164-X316	Wire hook	o			
19		1		CT-ESD-FPL-26-TOKIN	Line filter	o			
20-23		1		D860-1164-T231	Stay shaft assembly	o			
20			1	D860-1164-X231	Stlay shaft	o			
21			1	D860-1164-X237	Adjustment lever A	o			
22			1	D860-1164-X238	Adjustment lever B	o			
23			1	D860-1164-X239	Paper thickness adjustment lever	o			
25		1		D860-1164-X117	Cover	o			

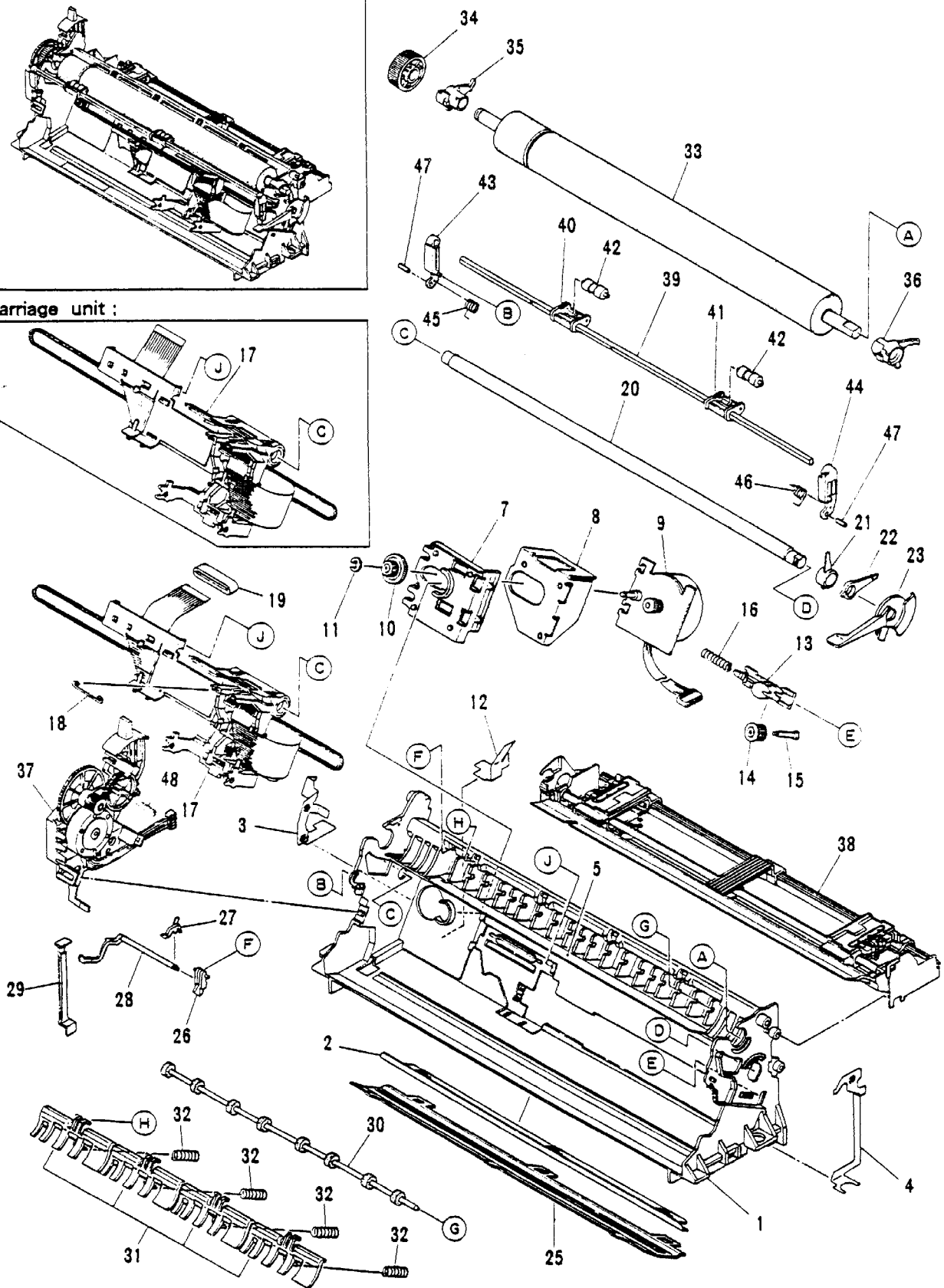
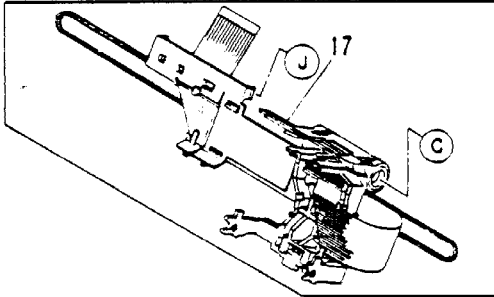
SP * Means "recommended spare parts".

M/M means the section of DL900 DOT MATRIX PRINTER MAINTENANCE MANUAL".

4-3 Mechanism Assembly



Carriage unit :



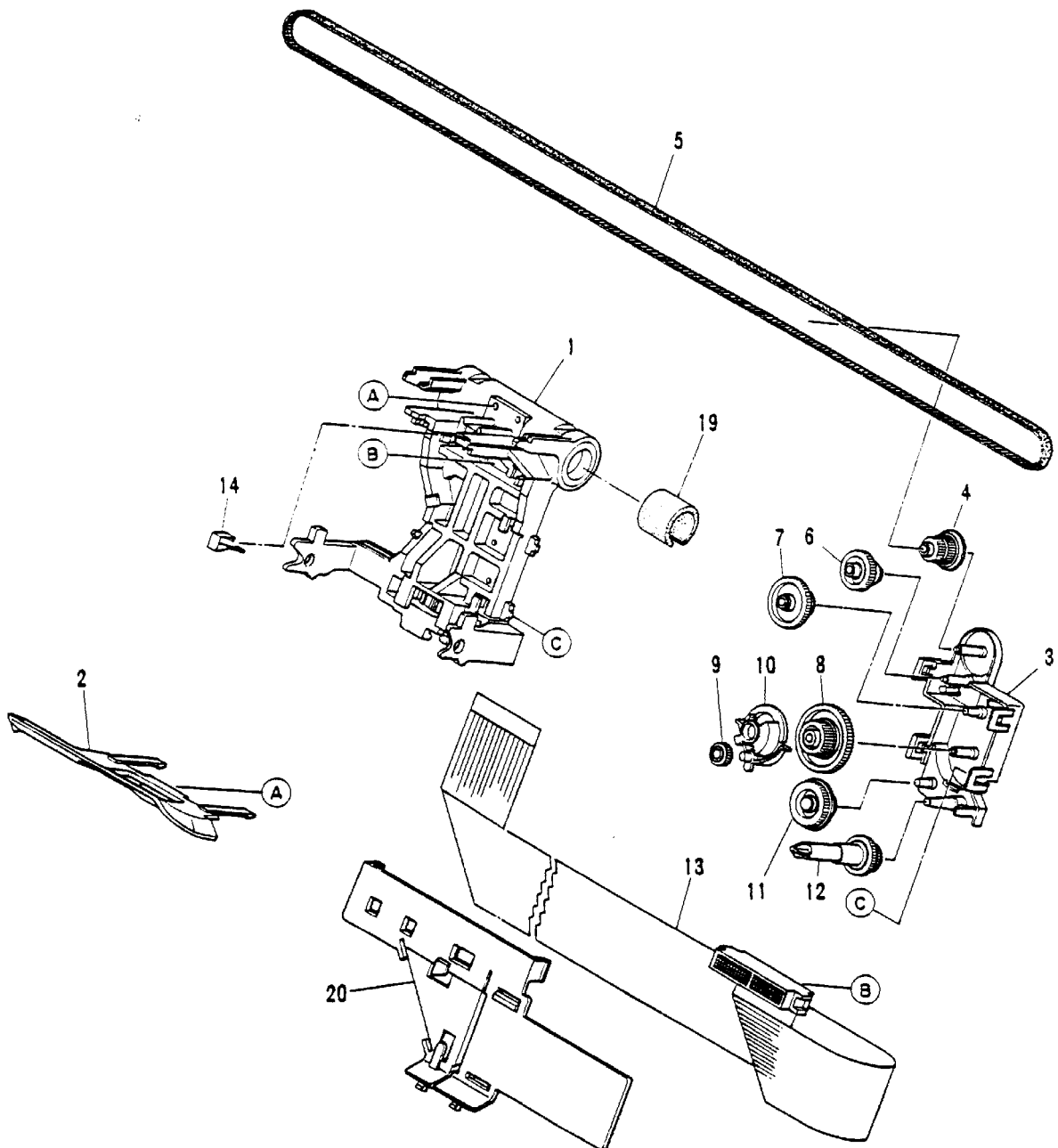
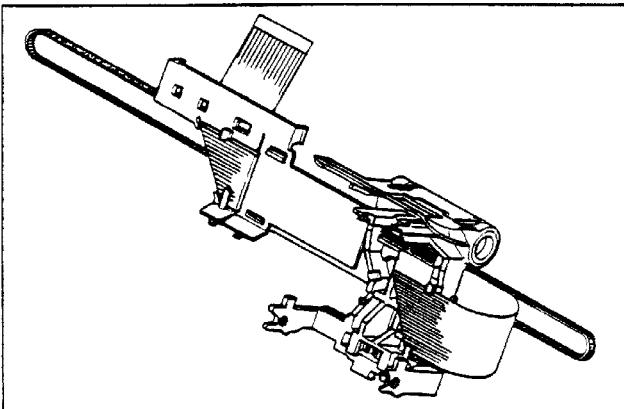
4-3 Mechanism Assembly - Continued

Numbers	Composition & Quantity		Specification	Parts name (Description)	Mono	SP	M/M	Remarks
26	1		D860-1164-X535	PE lever A	o			
27	1		D860-1164-X536	PE lever B	o			
28	1		D860-1164-X537	PE lever C	o			
29	1		D860-1164-X538	PE plate	o			
30	1		D860-1164-V521	Roller assembly	o			
31	4		D860-1164-V522	Holder	o			
32	4		D860-1164-V523	Spring	o			
33-35	1		D860-1164-T502	Platen assembly	o	*	4.9.1(12)	
33		1	D860-1164-X503	Platen roll	o			
34		1	D860-1164-X505	Platen gear	o			
35		1	D860-1164-X508	Bearing left	o			
36		1	D860-1164-Y508	Bearing right	o			
37	1		D860-1164-T601	Paper feed motor unit	o	*	4.9.1(6)	
38	1		D860-1164-T623	Tractor unit	o		4.9.1(7)	
39-42	1		D860-1164-T540	Bail roller assembly	o			
39		1	D860-1164-X547	Bail shaft	o			
40		1	D860-1164-X541	Roller frame L	o			
41		1	D860-1164-X542	Roller frame R	o			
42		2	D860-1164-X327	Bail roller	o			
43	1		D860-1164-X550	Arm left	o			
44	1		D860-1164-X551	Arm right	o			
45	1		D860-1164-X552	Spring left	o			
46	1		D860-1164-X553	Spring right	o			
47	2		F6-PS-2X8SUS	Spring pins	o			
48	1		D860-1164-X610	Clutch spring	o			

SP * Means "recommended spare parts".

M/M means the section of DL900 DOT MATRIX PRINTER MAINTENANCE MANUAL".

4-4 Carriage Unit



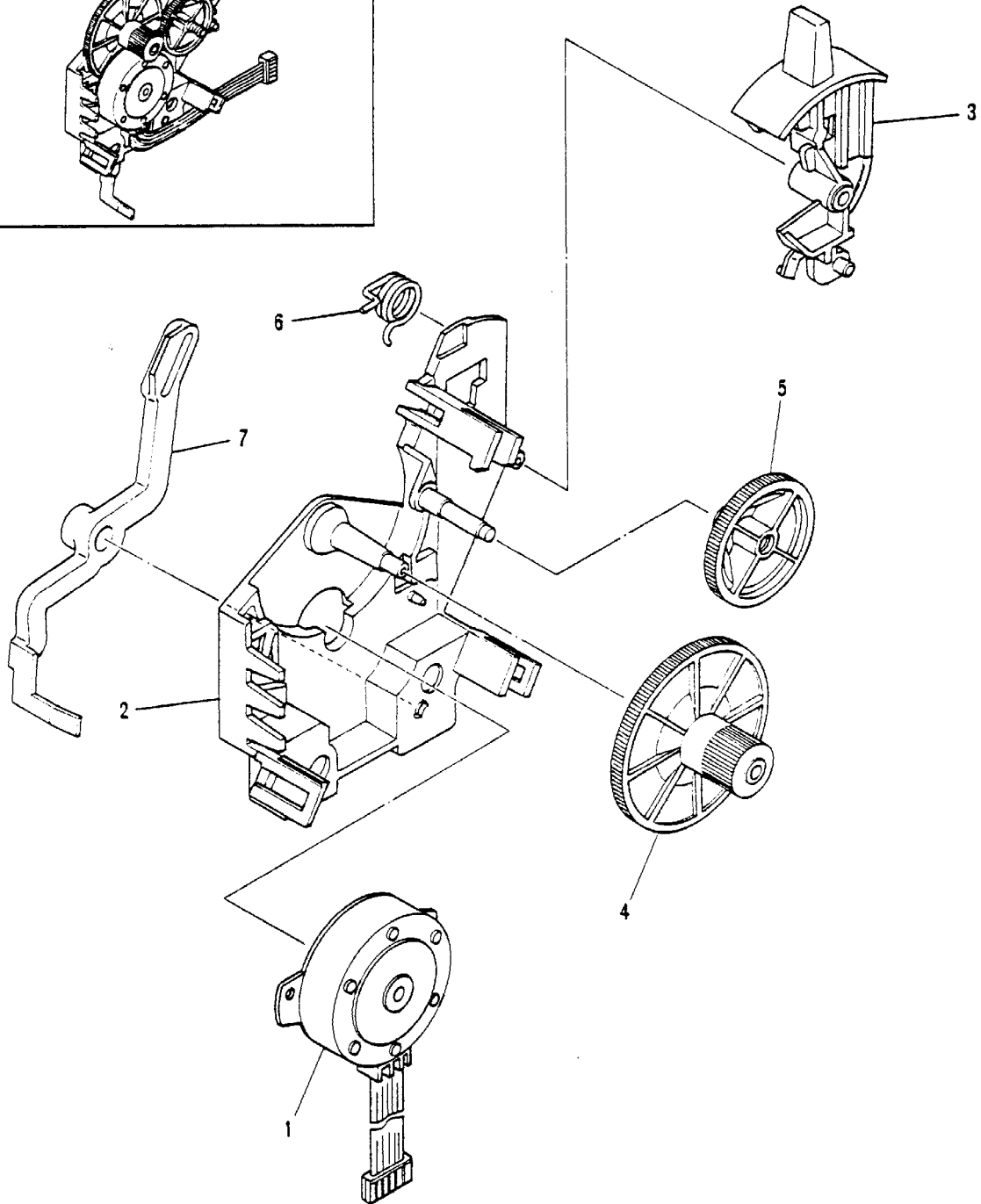
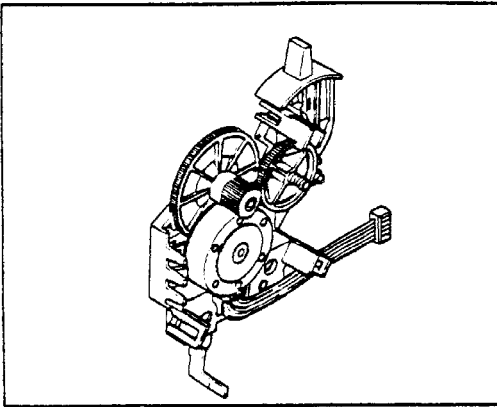
4-4 Carriage Unit

Numbers	Composition & Quantity			Specification	Parts name (Description)	Mono	SP	M/M	Remarks
1-22	1			D860-1164-T301	Carriage unit	o			
				D860-1164-T302	Carriage unit	-			
1	1			D860-1164-V301	Carriage assembly	o			
2	1			D860-1164-X305	Card guide	o			
		1		D860-1164-V305	Card guide assembly	-			
3-12	1			D860-1164-T326	Ribbon feeder assembly	o			
3		1		D860-1164-X334	Bracket	o			
4		1		D860-1164-X326	Drive pulley	o			
5		1		D30L-2201-0201	Timing belt	o			
6		1		D860-1164-X327	Idle pulley	o			
7		1		D860-1164-X328	Gear A	o			
8		1		D860-1164-X329	Gear B	o			
9		1		D860-1164-X330	Gear C	o			
10		1		D860-1164-X331	Arm	o			
11		1		D860-1164-X332	Gear D	o			
12		1		D860-1164-X333	Ribbon drive shaft gear	o			
13	1			D860-1164-V310	Carrier cable assembly	o			
14	1			D860-1164-X317	Leaf spring	o			
19	1			D860-1164-X304	Felt	o			
20	1			D860-1164-Y320	Cable holder	o			

SP * Means "recommended spare parts".

M/M means the section of DL900 DOT MATRIX PRINTER MAINTENANCE MANUAL.

4-5 Paper Feed Motor Unit



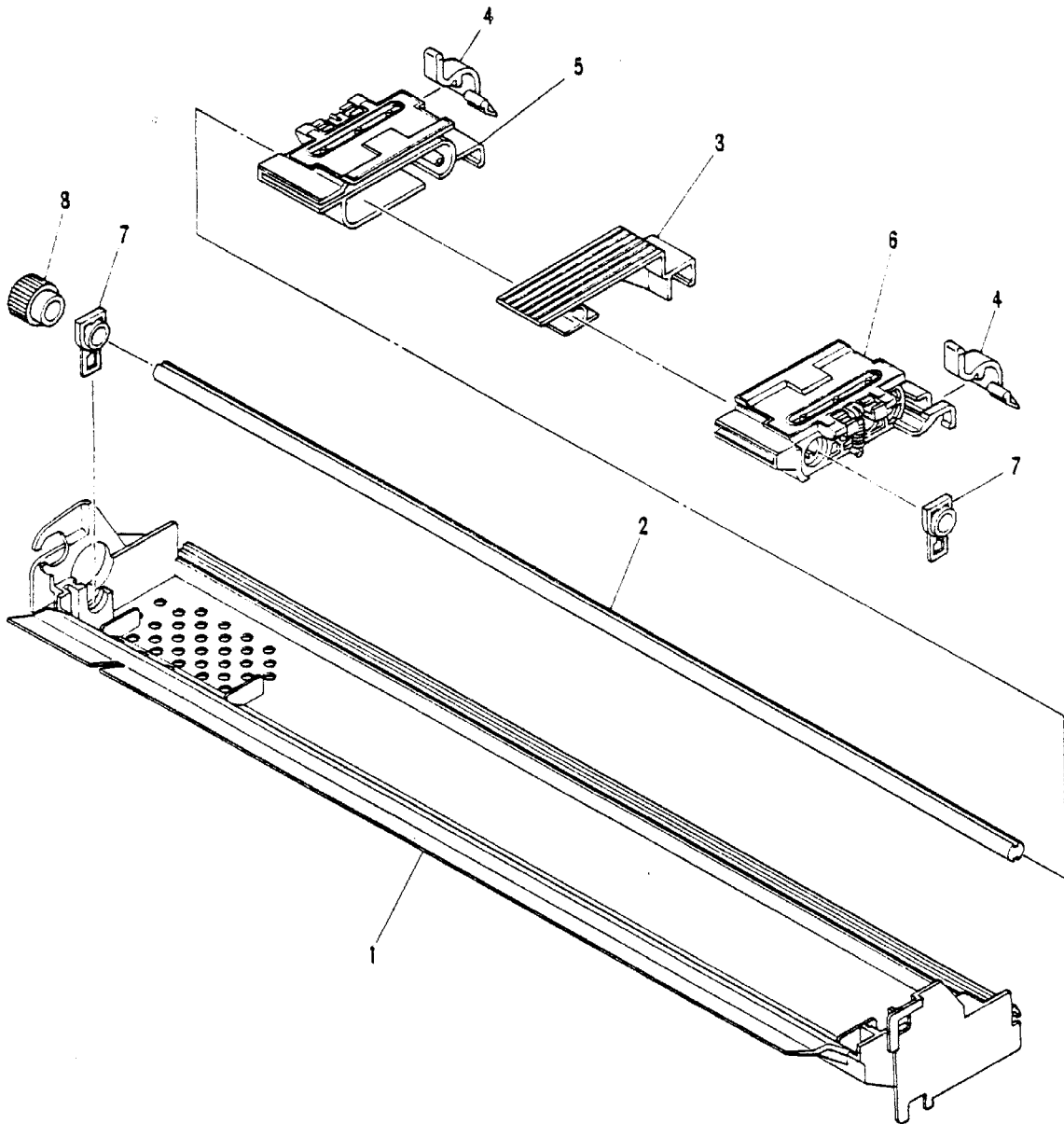
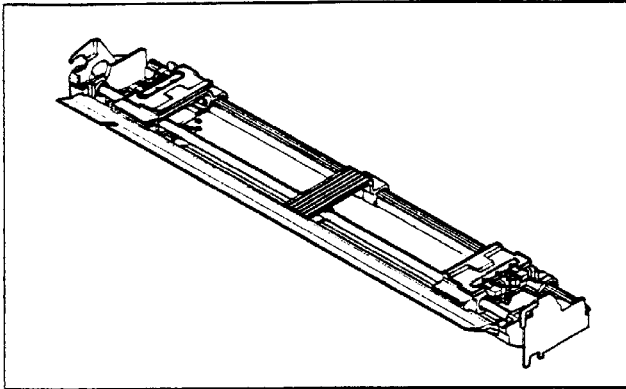
4-5 Paper Feed Motor Unit

Numbers	Composition & Quantity			Specification	Parts name (Description)	Mono	SP	M/M	Remarks
1-8	1			D860-1164-T601	paper feed motor unit	o			
1	1			D90L-1005-0136	Stepping motor	o			
2	1			D860-1164-X605	Bracket	o			
3	1			D860-1164-X612	Paper select lever	o			
4	1			D860-1164-X606	Idle gear	o			
5	1			D860-1164-X607	Shift gear	o			
6	1			D860-1164-X614	Toggle spring	o			
7	1			D860-1164-X616	Actuator	o			

SP * Means "recommended spare parts".

M/M means the section of DL900 DOT MATRIX PRINTER MAINTENANCE MANUAL".

4-6 Tractor Unit



4-6 Tractor Unit

Numbers	Composition & Quantity		Specification	Parts name (Description)	Mono	SP	M/M	Remarks
1-8	1		D860-1164-T623	Tractor unit	o			
1	1		D860-1164-X624	Tractor frame	o			
2	1		D860-1164-X632	Tractor shaft	o			
3	1		D860-1164-X633	Center support	o			
4	2		D860-1164-X635	Lock lever	o			
5	1		D30L-2201-0199 #001	Tractor left	o			
6	1		D30L-2201-0199 #002	Tractor right	o			
7	2		D860-1164-X639	Bearing	o			
8	1		D860-1164-X632	Tractor gear	o			

SP * Means "recommended spare parts".

M/M means the section of DL900 DOT MATRIX PRINTER MAINTENANCE MANUAL".

This document is used for
maintenance purpose only.
The illustration of the part does
not guarantee its availability.

