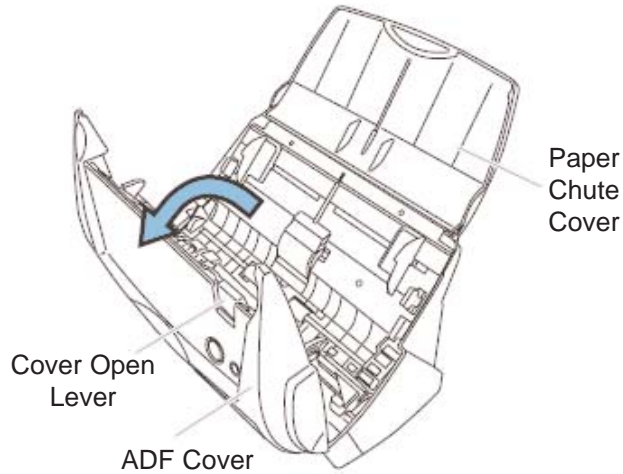


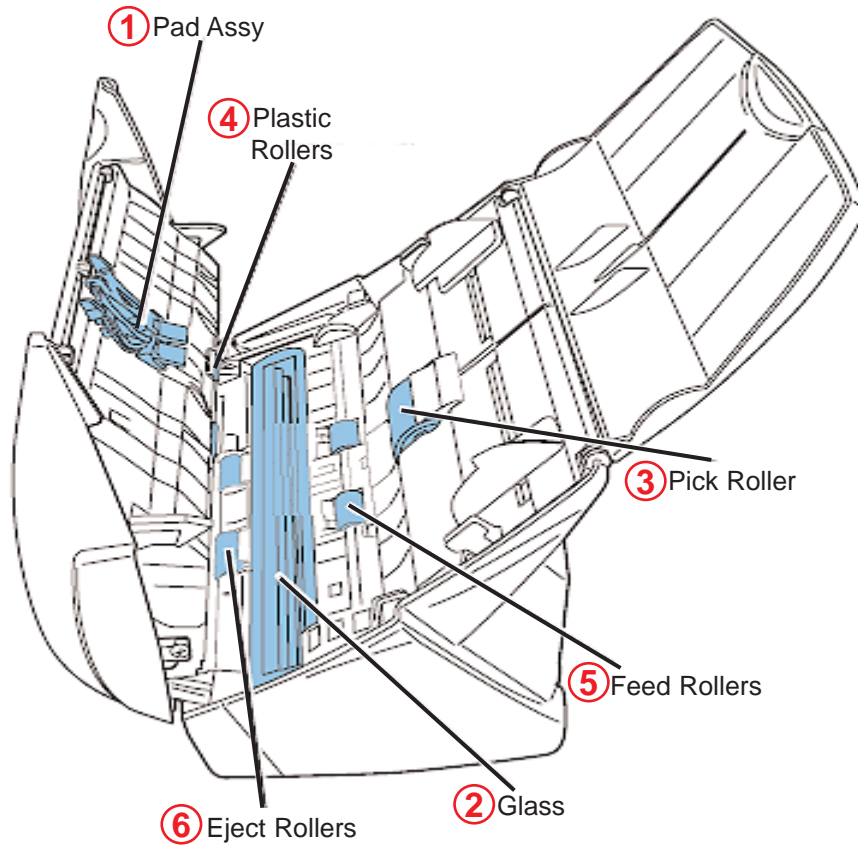
BEFORE CLEANING

Open the ADF while pulling the cover open lever



It is recommended that these items be cleaned **EVERY 1,000 SCANS**

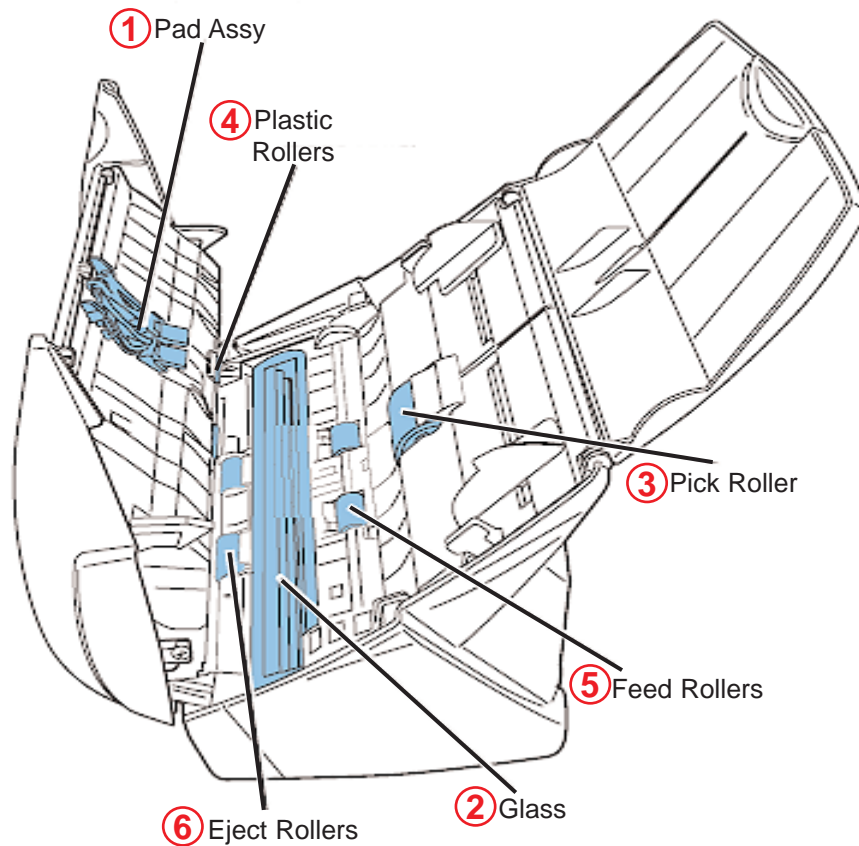
Parts	Part Number
Consumables	
Pad	PA03360-0002
Pick Roller	PA03360-0001
Cleaning Kit	SC-CLE-KIT1



Turn the Scanner OFF while cleaning the following locations

Using cleaning paper moistened with F1 Cleaner

- ① **Pad Assy**
Wipe downwards. When cleaning take care to prevent the cloth from catching on the metal parts.
- ② **ADF Glass Surfaces x 2**
Located on the ADF cover and opposite side. Clean lightly.
- ③ **Pick Roller**
Clean lightly taking care not to scratch the surface.
- ④ **Plastic Rollers x 4**

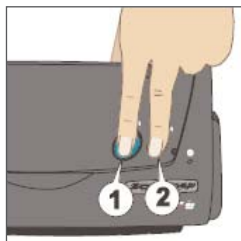


Turn the Scanner **ON** while cleaning the following locations

Using cleaning paper moistened with F1 Cleaner

To rotate the Feed and Eject Rollers, press the POWER button while holding down the SCAN button.

As a guideline, six presses of the POWER button make the rollers rotate one full turn.



While holding down the SCAN button ①

Press the POWER button ②

Rollers will rotate

⑤ Feed Rollers x 2

Clean lightly taking care not to roughen the surface.

⑥ Eject Rollers x 2

Clean lightly taking care not to roughen the surface.

For further information please refer to the
ScanSnap S510 Image Scanner Operators Guide
 which can be found on our Website:
www.fel.fujitsu.com/scanner