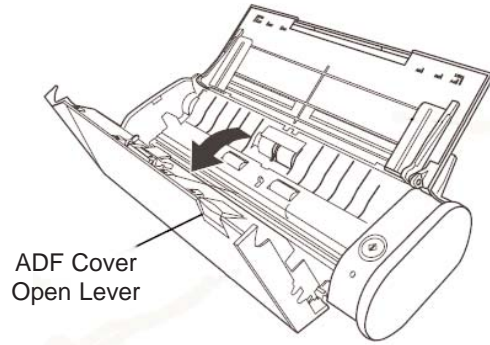


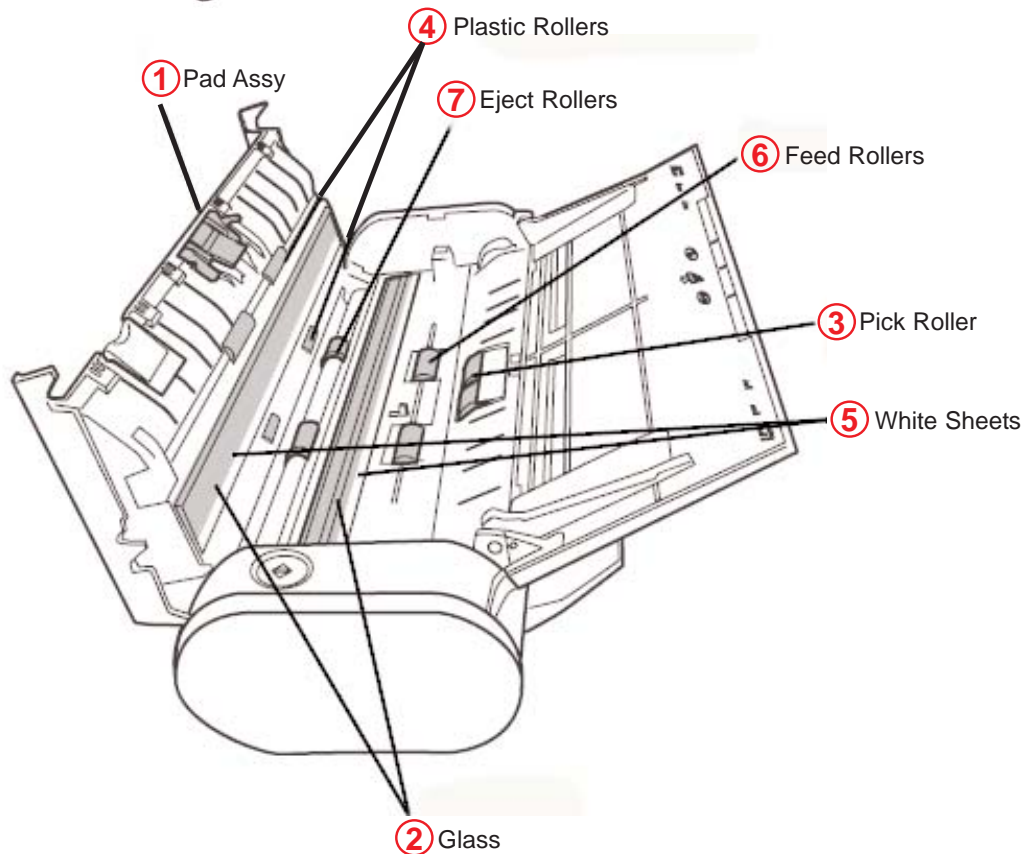
BEFORE CLEANING

Open the ADF while pulling the cover open lever



It is recommended that these items be cleaned **EVERY 1,000 SCANS**

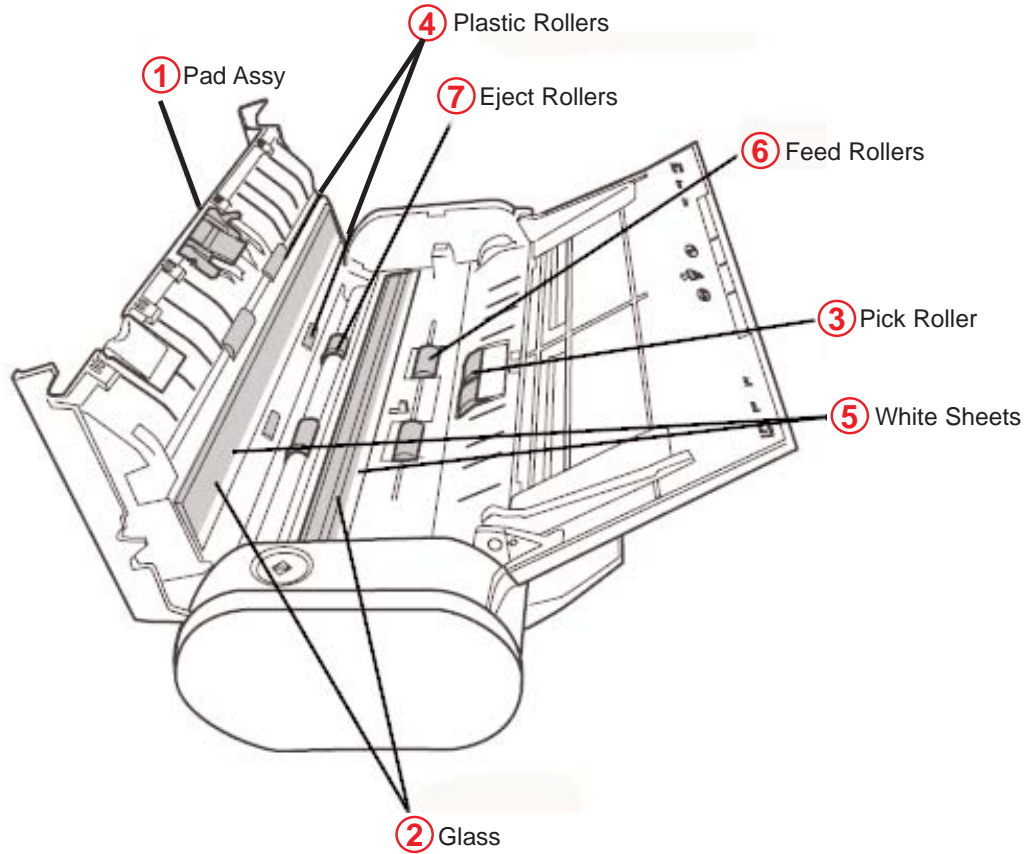
Parts	Part Number
Consumable Kit	CON-3541-010A
Cleaning Kit	SC-CLE-KIT1



Turn the Scanner **OFF** while cleaning the following locations

Using cleaning paper moistened with F1 Cleaner

- ① **Pad Assy**
Wipe downwards. When cleaning take care to prevent the cloth from catching on the metal parts.
- ② **ADF Glass Surfaces x 2**
Located on the ADF cover and opposite side. Clean lightly.
- ③ **Pick Roller**
Clean lightly taking care not to scratch the surface.
- ④ **Plastic Rollers x 4**
Clean lightly while rotating with your finger. Take care not to roughen the surface.
- ⑤ **White Sheets x 4**
White strips along the edge of the glass. Clean lightly.

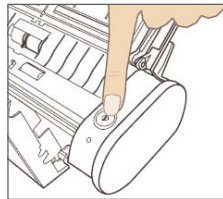


Turn the Scanner ON while cleaning the following locations

Using cleaning paper moistened with F1 Cleaner

To rotate the Feed and Eject Rollers, press the POWER button while holding down the SCAN button.

As a guideline, seven presses of the POWER button make the rollers rotate one full turn.



Hold down the SCAN button for three seconds
Rollers will rotate

⑥ Feed Rollers x 2

Clean lightly taking care not to roughen the surface.

⑦ Eject Rollers x 2

Clean lightly taking care not to roughen the surface.

**For further information please refer to the
ScanSnap S300 Image Scanner Operators Guide
which can be found on our Website:
www.fel.fujitsu.com/scanner**