

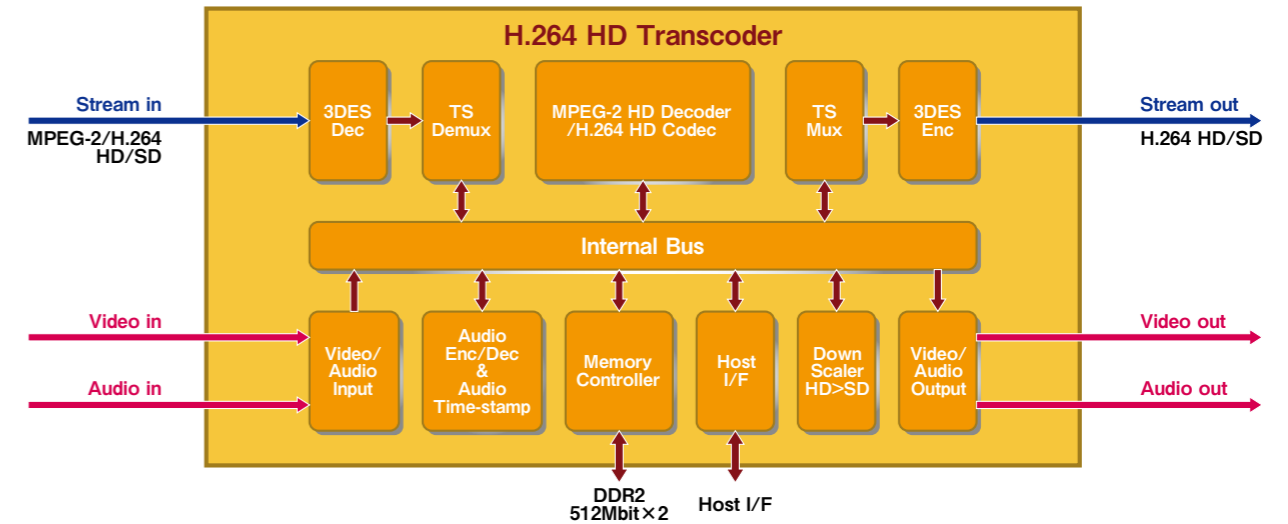


MB86H52

MPEG-2 HL to H.264 HD Transcoder

Introduction

The Fujitsu MB86H52 can compress full HD (1920dots x 1080lines) MPEG-2 video data to H.264 data. The new chip, the MB86H52, is a transcoder that can compress MPEG-2 video to less than half the data size. The transcoder functionality is based on the video processing technology of the presently shipping full HD H.264 CODEC (Encode / Decode) LSI product, MB86H51. Utilizing proprietary high quality video technology developed by Fujitsu Laboratories, the quality of the inputted MPEG-2 video data is maintained when transcoding to H.264 format video data. When used in recording equipment like hard disk recorders etc., for the same hard disk storage capacity, the recording time can be lengthened by 2 to 5 times. The transcoded data size is reduced in the H.264 format so it also allows transmission of full HD video over narrow bandwidth networks in the home etc.



Specifications

Function	Transcode	Video	MPEG-2 HD ⇒ H.264 HD/SD MPEG-2 SD ⇒ H.264 SD
		Audio	Time stamp re-allocation
	H.264 Codec	Video	VBS*1 ⇔ H.264 HD/SD
		Audio	ABS*2 ⇔ MPEG-1 Audio Layer2, etc.
Video	Spec	MPEG-2 Video Main profile / High Level Decoder H.264 High profile / Level 4.0 Half-Duplex Codec	
	Resolution	1920 x 1080 x 60i/50i, 1440 x 1080 x 60i/50i, 1280 x 720 x 60p/50p, 720 x 480 x 60i, 720 x 576 x 50i	
	Interface	SMPTE 274M / SMPTE296M-2001, ITU-R BT.656	
Audio	Format	MPEG-1 Audio Layer2, MPEG-2 AAC(LC profile), Linear PCM, Dolby® Digital(AC-3)*3	
	Channels	2channels	
	Interface	LR Serial	
System	Format	MPEG-2 TS CBR / VBR	
	Stream Interface	8bit parallel or Serial	
Host Interface	General 16bit interface		
Input clock	27MHz		
Operating frequency	Internal:216MHz, DDR2 IF:324MHz		
Power consumption	1.7W (typ.), 1.2V, MPEG-2 HL to H.264 HD TRC)		
Package	PBGA 496pin 27mm square (Ball pitch 1.0mm)		

*1 Video Baseband
*2 Audio Baseband
*3 Dolby is a registered trademark of Dolby Laboratories.

FUJITSU SEMICONDUCTOR LIMITED

Nomura Fudosan Shin-yokohama Bldg. 10-23, Shin-yokohama 2-Chome, Kohoku-ku Yokohama
Kanagawa 222-0033, Japan Tel: +81-45-415-5858
<http://jp.fujitsu.com/fsl/en/>

For further information please contact:

North and South America
FUJITSU SEMICONDUCTOR AMERICA, INC.
1250 E. Arques Avenue, M/S 333
Sunnyvale, CA 94085-5401, U.S.A.
Tel: +1-408-737-5600 Fax: +1-408-737-5999
<http://us.fujitsu.com/micro/>

Europe
FUJITSU SEMICONDUCTOR EUROPE GmbH
Pittlerstrasse 47, 63225 Langen, Germany
Tel: +49-6103-690-0 Fax: +49-6103-690-122
<http://emea.fujitsu.com/semiconductor/>

Korea
FUJITSU SEMICONDUCTOR KOREA LTD.
206 Kosmo Tower Building, 1002 Daechi-Dong,
Gangnam-Gu, Seoul 135-280, Republic of Korea
Tel: +82-2-3484-7100 Fax: +82-2-3484-7111
<http://kr.fujitsu.com/fmk/>

Asia Pacific
FUJITSU SEMICONDUCTOR ASIA PTE. LTD.
151 Lorong Chuan,
#05-08 New Tech Park 556741 Singapore
Tel: +65-6281-0770 Fax: +65-6281-0220
<http://www.fujitsu.com/sg/services/micro/semiconductor/>

FUJITSU SEMICONDUCTOR SHANGHAI CO., LTD.
Rm. 3102, Bund Center, No.222 Yan An Road (E),
Shanghai 200002, China
Tel: +86-21-6146-3688 Fax: +86-21-6335-1605
<http://cn.fujitsu.com/fmc/>

FUJITSU SEMICONDUCTOR PACIFIC ASIA LTD.
10/F, World Commerce Centre, 11 Canton Road,
Tsimshatsui, Kowloon, Hong Kong
Tel: +852-2377-0226 Fax: +852-2376-3269
<http://cn.fujitsu.com/fmc/en/>

Specifications are subject to change without notice. For further information please contact each office.

All Rights Reserved.

The contents of this document are subject to change without notice. Customers are advised to consult with sales representatives before ordering.

The information, such as descriptions of function and application circuit examples, in this document are presented solely for the purpose of reference to show examples of operations and uses of FUJITSU SEMICONDUCTOR device; FUJITSU SEMICONDUCTOR does not warrant proper operation of the device with respect to use based on such information. When you develop equipment incorporating the device based on such information, you must assume any responsibility arising out of such use of the information. FUJITSU SEMICONDUCTOR assumes no liability for any damages whatsoever arising out of the use of the information.

Any information in this document, including descriptions of function and schematic diagrams, shall not be construed as license of the use or exercise of any intellectual property right, such as patent right or copyright, or any other right of FUJITSU SEMICONDUCTOR or any third party or does FUJITSU SEMICONDUCTOR warrant non-infringement of any third-party's intellectual property right or other right by using such information. FUJITSU SEMICONDUCTOR assumes no liability for any infringement of the intellectual property rights or other rights of third parties which would result from the use of information contained herein.

The products described in this document are designed, developed and manufactured as contemplated for general use, including without limitation, ordinary industrial use, general office use, personal use, and household use, but are not designed, developed and manufactured as contemplated (1) for use accompanying fatal risks or dangers that, unless extremely high safety is secured, could have a serious effect to the public, and could lead directly to death, personal injury, severe physical damage or other loss (i.e., nuclear reaction control in nuclear facility, aircraft flight control, air traffic control, mass transport control, medical life support system, missile launch control in weapon system), or (2) for use requiring extremely high reliability (i.e., submersible repeater and artificial satellite).

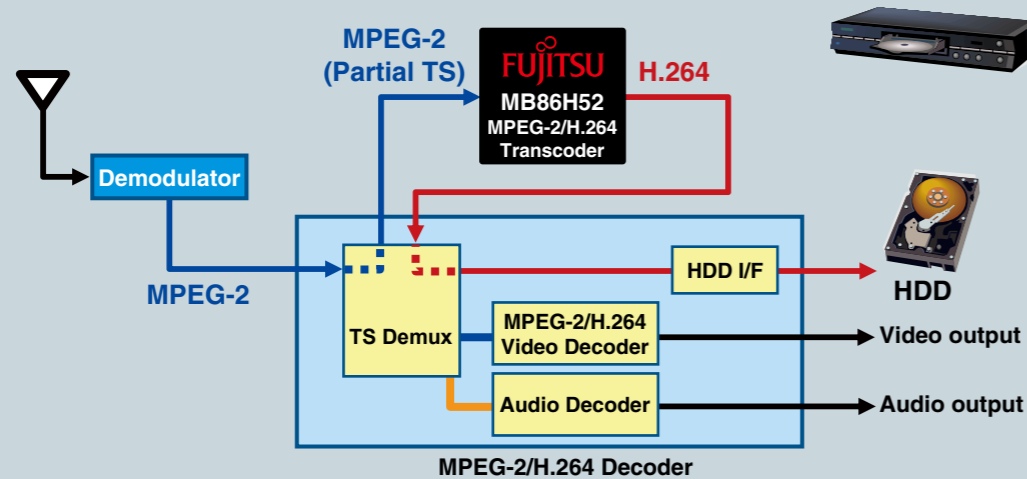
Please note that FUJITSU SEMICONDUCTOR will not be liable against you and/or any third party for any claims or damages arising in connection with above-mentioned uses of the products.

Any semiconductor devices have an inherent chance of failure. You must protect against injury, damage or loss from such failures by incorporating safety design measures into your facility and equipment such as redundancy, fire protection, and prevention of overcurrent levels and other abnormal operating conditions. Exportation/release of any products described in this document may require necessary procedures in accordance with the regulations of the Foreign Exchange and Foreign Trade Control Law of Japan and/or US export control laws.

The company names and brand names herein are the trademarks or registered trademarks of their respective owners.

© 2008-2010 FUJITSU SEMICONDUCTOR LIMITED Printed in Japan
AD04-00021-3E July, 2010
Edited: Sales Promotion Dept.

HDD Recorder System Configuration example



The recording time can be lengthened by 2 to 5 times.

Features

- Transcoding MPEG-2 format HD video data to the H.264 format H.264 delivers the same quality as MPEG-2 at a half the data size.
- Proprietary technologies for compression and high quality video This LSI utilizes a proprietary algorithm developed by Fujitsu Laboratories that automatically applies less compression to areas in the image where compression artifacts are most noticeable to human vision, such as human faces or slow-moving objects, and greater compression to other areas. Thus high image quality for the critical zones is maximized. Due to that, the same video quality is maintained when transcoding from MPEG-2 to H.264.
- Includes Full HD H.264 CODEC The LSI includes a full HD H.264 CODEC for video encoding and decoding, so uncompressed video data can be compressed to the H.264 format. Also, this product can decompress video data from compressed or transcoded H.264.

shaping tomorrow with you