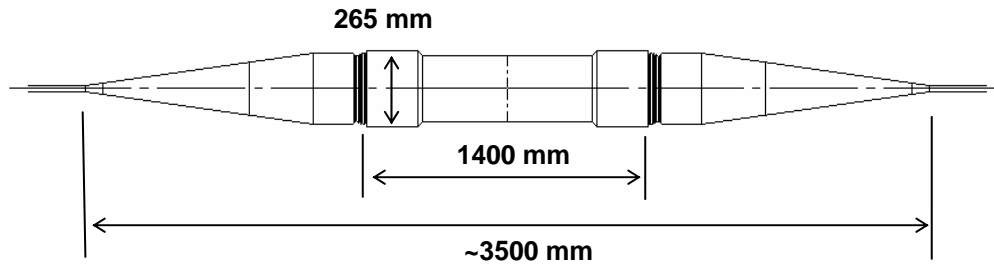
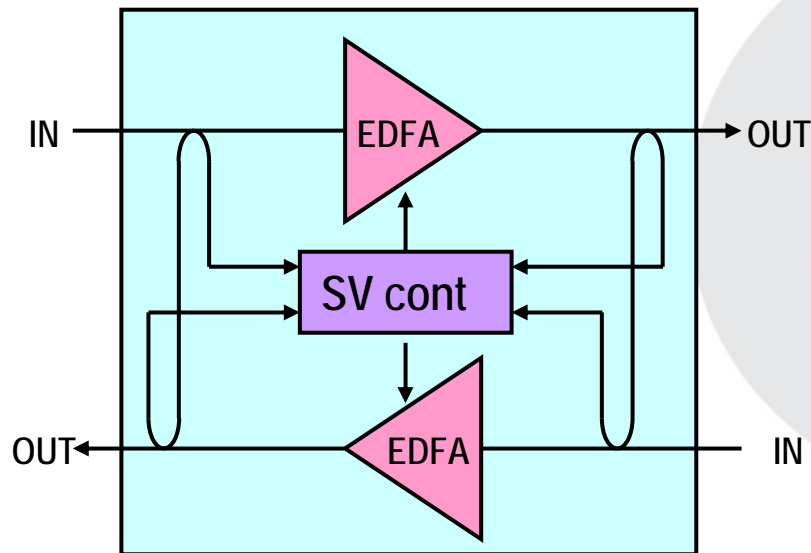


Product Detail : Repeater



Weight including Coupling: approx. 300kg (4 f.p.)



Features

- Ultra High Reliability
No single failure in operation for almost **40** years
- High Power 980nm Pump LD
- ALC (Automatic Level Control)
- Active Supervisory (Command & Response)