

Optical Transceiver for G-PON OLT (SFP type)

Description

- This transceiver consists of 1.244Gbps burst-mode receiver (1.31um), 2.488Gbps continuous-mode transmitter (1.49um), and WDM function to transmit bi-directional optical signal over a single optical fiber in FTTP Networks.
- Full compliance with ITU-T G984.2 Class B+ and applied to OLT in PON system.

Features

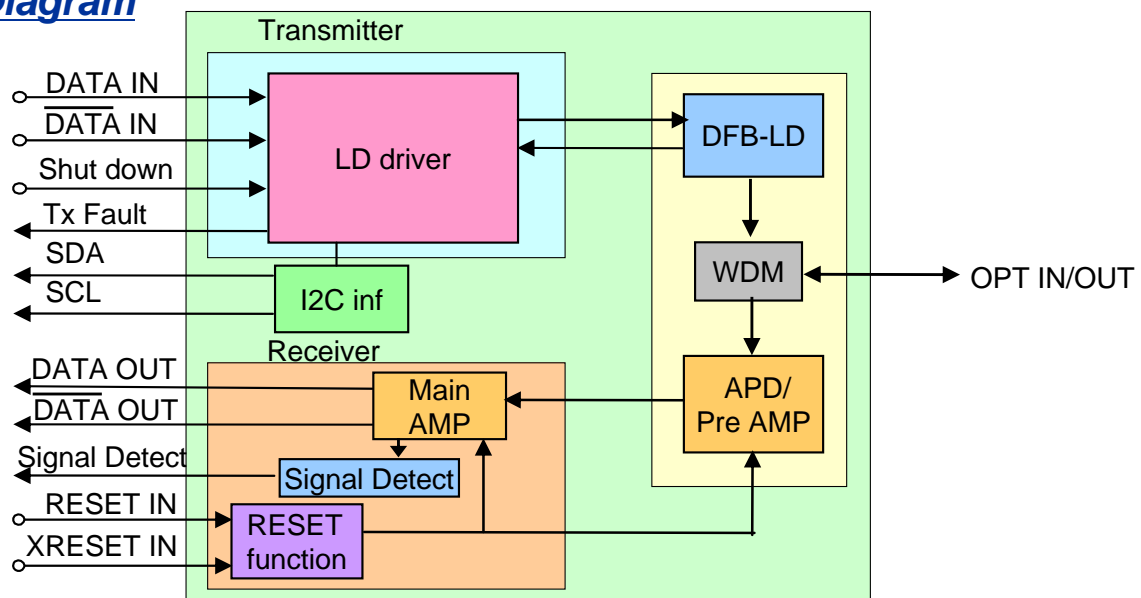
- 1-fiber bi-directional transmission by WDM
- Continuous-mode transmitter:1.49um (w ISO)
- Burst-mode receiver:1.31um
- ITU-T G984.2 Class B+ compliant
- Operating case temperature: -40 to 85°C
- RoHS compliant



Specifications

Part Number	FIM30535	
	Transmitter	Receiver
Operating Case Temperature	-40 to 85 °C	
Power Supply Voltage	3.3 V ± 5 %	
Data Rate	2488.32 Mbps	1244.16 Mbps
Wavelength	1480 to 1500 nm	1260 to 1360 nm
Mean Launched Power	1.5 to 4.5 dBm	-
Minimum Sensitivity	-	-29 to -8 dBm
Current Consumption	450 mA (Max)	
Optical Connector Type	SC Receptacle	
Size (L x W x H)	64 x 13.7 x 12.5 mm / 2.52 x 0.54 x 0.49 inches	

Block Diagram



Fujitsu Limited

Optical Components Unit Sales Department

1-1 Kamikodanaka 4-chome, Nakahara-ku, Kawasaki, 211-8588, Japan (Company Mail No. H0913)
 Tel: +81-44-754-3757, Fax: +81-44-754-3598
 E-mail: optmdl-sales2@ml.css.fujitsu.com
<http://www.fujitsu.com/global/services/telecom/optcompo>