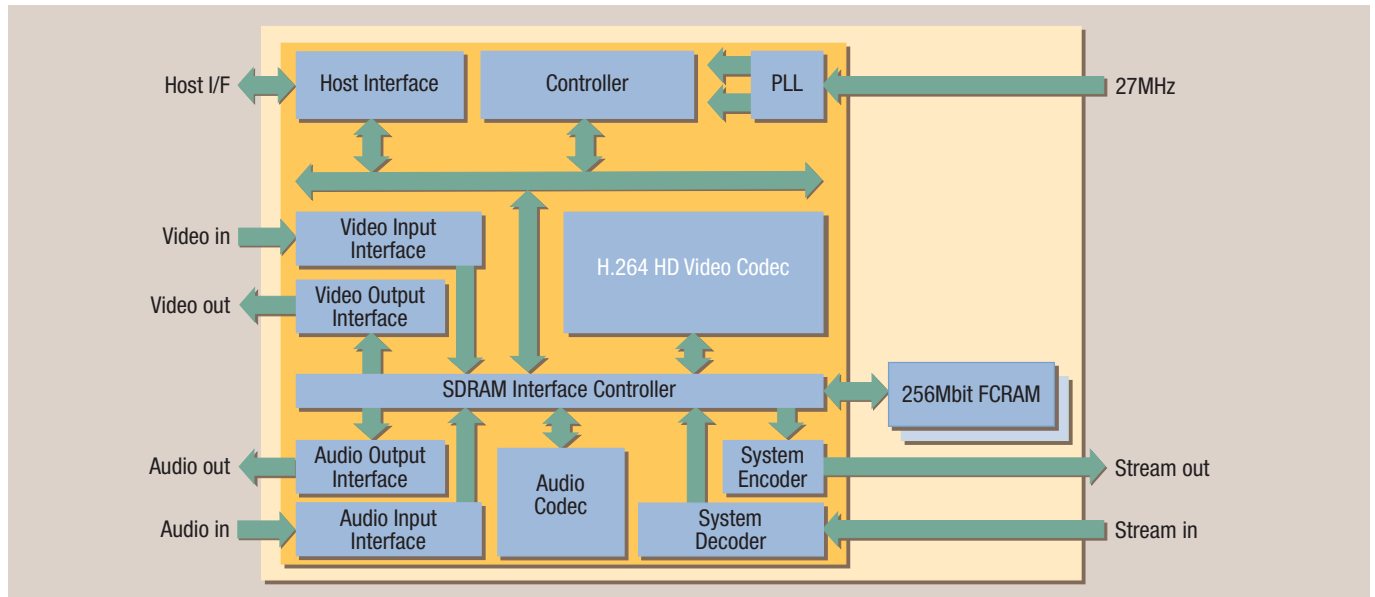


H.264 FULL HIGH DEFINITION CODEC



MB86H51 block diagram.

Description

The Fujitsu MB86H51 is a single chip solution for H.264 HD half duplex Coding & Decoding of video and audio signals compliant to H.264 HP@L4. This solution includes sophisticated compression algorithms developed in Fujitsu Labs resulting in outstanding compression quality.

The concept used in the implementation of this solution allows an easy control mechanism. The encoding and decoding configuration is made by pre-defined parameters (e.g. bit-rate, Group of Pictures (GOP) structure, video format, audio format, etc).

The high system integration level including memory-on-chip combined with low power consumption makes this solution suitable for a wide range of applications such as camcorders, DVD recording & playback, broadcast equipment, security & surveillance, video communication, etc.

Features

- Single chip for AV coding & decoding in full HD resolution (1920 x 1080i)
- 2 x 256Mbit memory-on-chip

Dolby is a registered trademark of Dolby Laboratories. Any other trademarks or trade names mentioned are the property of their respective owners.

- Video processing compliant to ITU H.264 HP@L4
- Multiple audio formats: Dolby® Digital (AC-3), MPEG-2 AAC, MPEG-1 L2
- MPEG-2 TS In/Out according to ISO/IEC13818-1 and Amd3
- Digital video I/F according to SMPTE274M/ SMPTE296M-2001/ITU-R BT.656.4
- Digital audio I/F (I²S, SP/DIF)
- Package FBGA 650
- Operating temperature: 0 to +70°C
- Power consumption: typ. 750mW

Typical Applications

- Camcorder
- PVR/DVD recorder
- Broadcast equipment
- Broadcast & IP cameras
- Security & surveillance
- Home networking
- Head end stations
- Video conferencing systems

ASK FUJITSU MICROELECTRONICS EUROPE

Contact us on +49(0) 61 03 69 00 or visit
<http://www.fujitsu.com/emea/services/industries/multimedia/>
 Email: multimedia_info@fme.fujitsu.com