

Product Flyer

February 2000

DK86626-2 KeyWave™ AFE Evaluation Board

Version 2.0

FME/MS/ADSLAFE/FL_2/4390

Features

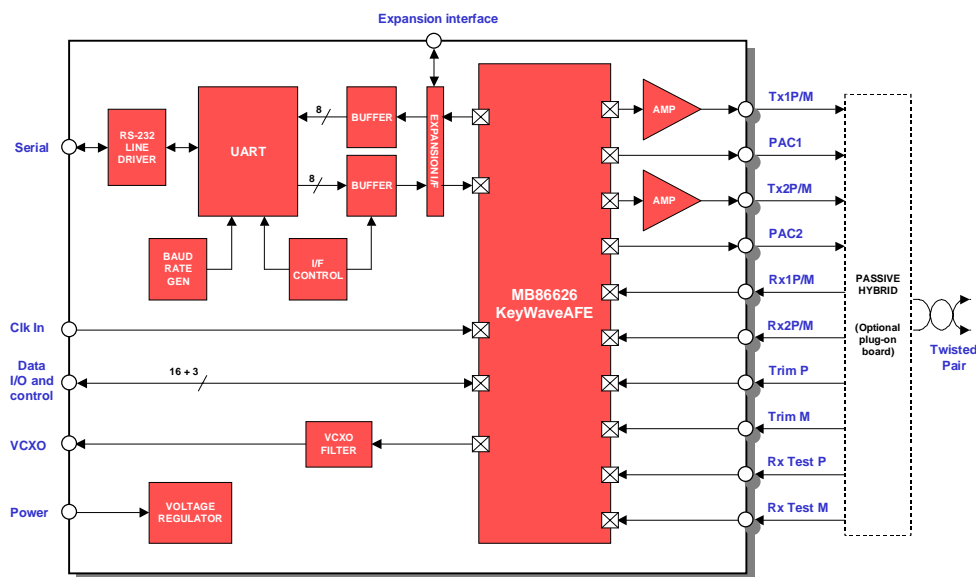
- MB86626 ready mounted on the PCB
- SMA/SMB connections for all analog signals
- Position for optional plug-on hybrid board
- 40way IDC header for I/O data, and parallel interface control connections
- Transmit channel amplifiers
- RS-232 interface for KeyWaveAFE serial programming from a host PC
- Expansion connectors for multiple evaluation board programming
- On board adjustable PSU
- Simple control software on 3.5" diskette
- Spare MB86626 for customer development
- Comprehensive user manual

Description

Fujitsu's DK86626-2 KeyWaveAFE Development Kit provides a simple and effective means of evaluating the MB86626. This enables faster device evaluation without incurring the time and cost penalties of in-house PCB design and manufacture.

The board provides a complete evaluation environment for the AFE. Connections for all analog and digital I/O signals are provided for integration into a target application, and a serial interface is provided to allow the AFE to be programmed from a host PC. The interface is expandable to allow up to five DK86626-2 evaluation boards to be programmed simultaneously. Transmit channel amplifiers are included. A position is also provided to allow the user to plug on a custom hybrid board.

DK86626-2 Evaluation Board



This Product Flyer is intended to document a new product being developed by Fujitsu. Fujitsu reserves the right to change device functionality and specification as a part of continued product improvement.

DK86626-2 KeyWave™AFE Evaluation Board

Development Kit

The DK86626-2 Development Kit contains an evaluation board, power supply connector, PC serial cable, user manual, PC software on 3.5" diskette and one spare MB86626 device.

The evaluation board requires one low voltage DC power supply capable of providing 500mA. The KeyWaveAFE is configured via the serial port of a host PC, running simple control software under Windows 9x.

The user manual guides the user step-by-step through configuring the board, connecting the test equipment, and evaluating the KeyWaveAFE's performance. Detailed schematics, PCB overlay's and connector pin-outs are all included to assist the user in the operation of the evaluation board.

Ordering Information

Part	Order Number
MB86626 Development Kit	DK86626-2
MB86626 KeyWaveAFE	MB86626PFV
DK86626-2 User Manual	Contact Sales
MB86626 Datasheet	Contact Sales

Worldwide Headquarters

Japan

Fujitsu Limited

Tel: +81 44 754 3753
Fax: +81 44 754 3329

1015 Kamikodanaka 4-1-1
Nakahara-ku
Kawasaki-shi
Kanagawa-ken 211-88
Japan

<http://www.fujitsu.co.jp/>

Asia

Fujitsu Microelectronics Asia Pte Limited

Tel: +65 281 0770
Fax: +65 281 0220

151 Lorong Chuan
#05-08 New Tech Park
Singapore 556741

<http://www.fmap.com.sg/>

USA

Fujitsu Microelectronics Inc

Tel: +1 408 922 9000
Fax: +1 408 922 9179

3545 North First Street
San Jose CA 95134-1804
USA

Tel: +1 800 866 8608
Fax: +1 408 922 9179

Customer Response Center
Mon-Fri: 7am-5pm (PST)

<http://www.fujitsumicro.com/>

Europe

Fujitsu Microelectronics Europe GmbH

Tel: +49 6103 6900
Fax: +49 6103 690122

Am Siebenstein 6-10
D-63303 Dreieich-Buchsschlag
Germany

<http://www.fujitsu-fme.com/>

FME/MS/ADSLAFE/FL_2/4390 - 2.0

This Product Flyer is intended to document a new product being developed by Fujitsu. Fujitsu reserves the right to change device functionality and specification as a part of continued product improvement.