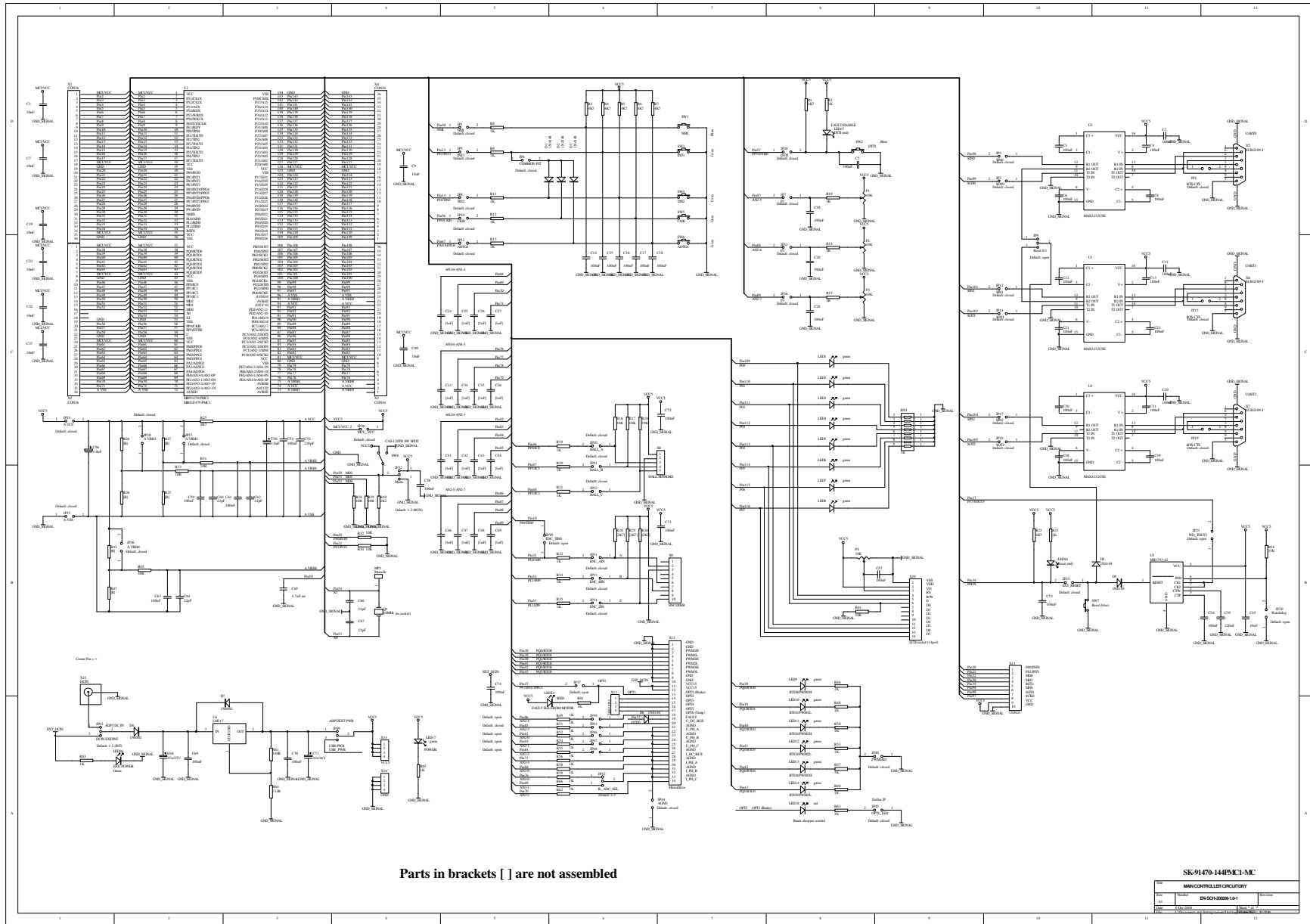


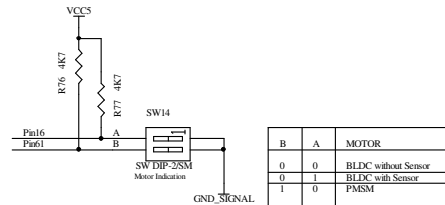
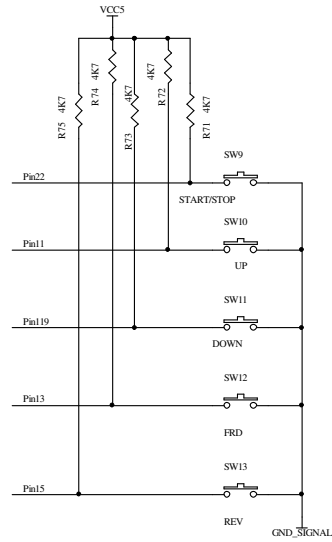
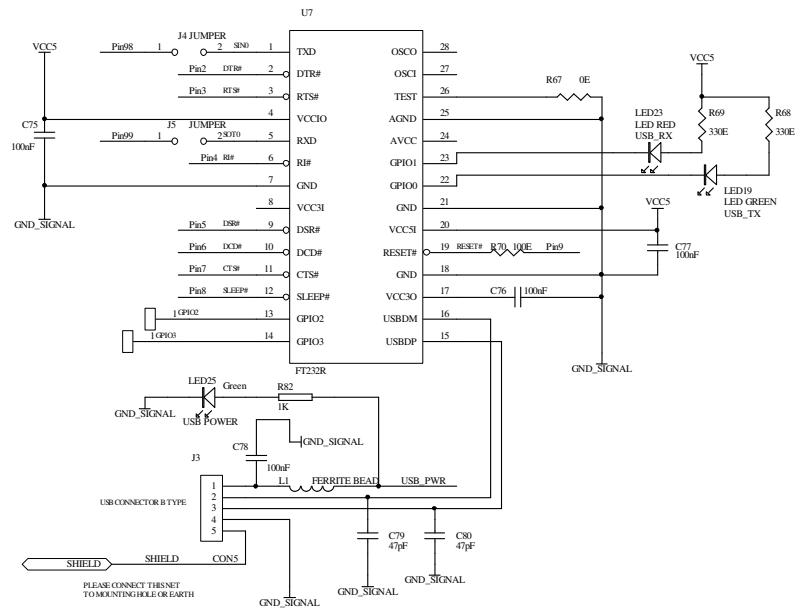
Title		
Size A4	Number	Revision
Date:	8-Dec-2008	Sheet of
File:	C:\Documents and Settings\admin\Desktop\SCHEM\FUJITSU_M.DDB	



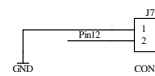
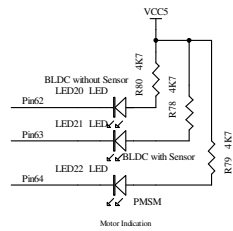
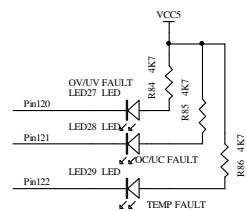
Parts in brackets [] are not assembled

SK-91476-144PWC1-MC

MAIN CONTROLLER CIRCUITRY	
EN-SCH-30305 1-01	
REV	DATE



SK-91470-144PMC1-MC



Title		
USB INTERFACE AND SWITCH CIRCUITRY		
Size	Number	Revision
A3	EN-SCH-200208-1.0-2	
Date:	8-Dec-2008	Sheet 2 of 2
File: C:\Documents and Settings\admin\Desktop\SK-91470-144PMC1-MC.DDB		