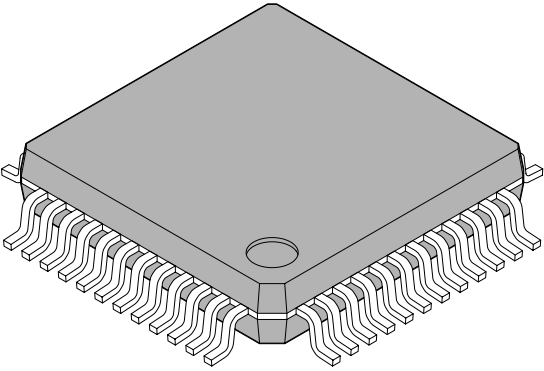


FPT-48P-M05

<p>48-pin plastic LQFP</p>  <p>(FPT-48P-M05)</p>	Lead pitch	0.50 mm
	Package width × package length	7.0 × 7.0 mm
	Lead shape	Gullwing
	Sealing method	Plastic mold
	Mounting height	1.70 mm MAX
	Weight	0.17g
	Code (Reference)	P-LFQFP48-7×7-0.50

48-pin plastic LQFP  
(FPT-48P-M05)

Note 1) \* : These dimensions include resin protrusion.  
 Note 2) Pins width and pins thickness include plating thickness.  
 Note 3) Pins width do not include tie bar cutting remainder.

