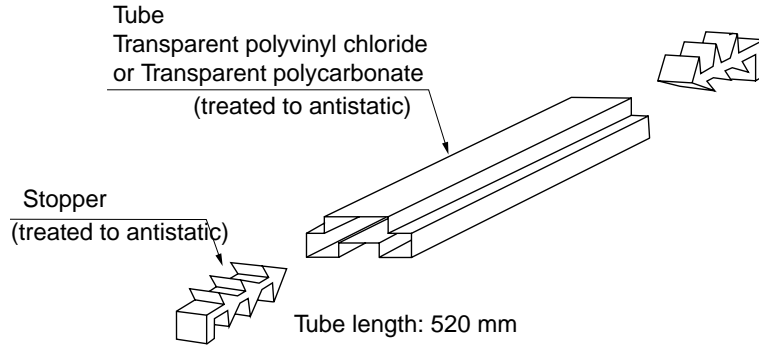


## 6.2 Tube Dimensions

### 6.2.1 SOP, SOL, SSOP and TSSOP

Tube/stopper shape

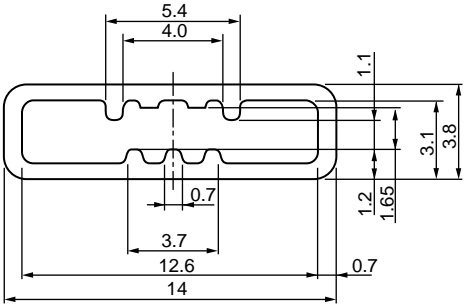
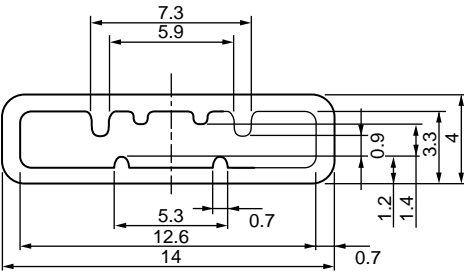
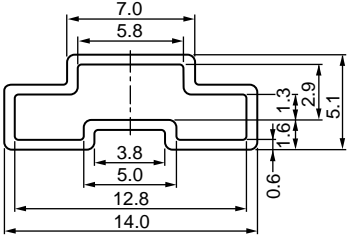


### Tube cross-sections and Maximum quantity

Package form	Package code	Maximum quantity		
		pcs/tube	pcs/inner box	pcs/outer box
<p>© 2002 FUJITSU LIMITED SOP225AB8LT-F:FJ990-0003-X0036-3-D-1</p> <p>t = 0.7 Transparent polycarbonate</p>	FPT-8P-M03	130	10400	62400
	FPT-16P-M05	95	7600	45600
	FPT-20P-M03	75	6000	36000

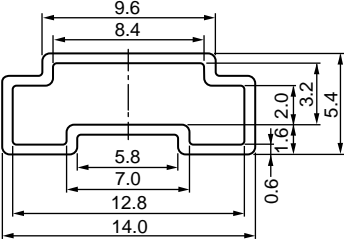
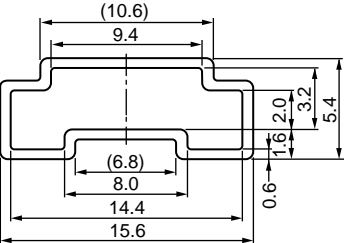
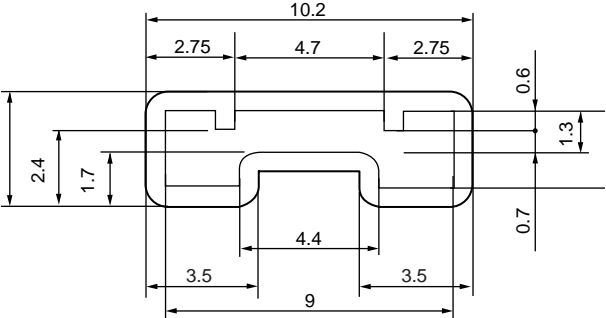
(Dimensions in mm)

# Packing for Shipment

Package form	Package code	Maximum quantity		
		pcs/tube	pcs/inner box	pcs/outer box
<p>SOL, 5.72mm(225mil), plastic (2)</p>  <p>© 2002 FUJITSU LIMITED SOL225AB8LT-F:FJ990-003-X0041-1-D-1</p> <p>t = 0.7 Transparent polycarbonate</p>	FPT-8P-M02	95	7600	45600
<p>SSOP, 6.60mm(260mil), plastic</p>  <p>© 2002 FUJITSU LIMITED SOP260AB8LT-F:FJ990-0003-X0037-3-D-1</p> <p>t = 0.7 Transparent polycarbonate</p>	FPT-24P-M03	62	4960	29760
	FPT-30P-M02	50	4000	24000
<p>SOP, 7.62mm(300mil), plastic</p>  <p>© 2002 FUJITSU LIMITED F08002-SET1:FJ99L-0018-E0009-2-K-1</p> <p>t = 0.6 Transparent polyvinyl chloride</p>	FPT-8P-M01	80	6400	38400
	FPT-14P-M04	50	4000	24000
	FPT-16P-M06	50	4000	24000
	FPT-20P-M01	40	3200	19200
	FPT-24P-M01	33	2640	15840

(Dimensions in mm)

# Packing for Shipment

Package form	Package code	Maximum quantity		
		pcs/tube	pcs/inner box	pcs/outer box
<p>SOP, 9.53mm(375mil), plastic</p>  <p>© 2002 FUJITSU LIMITED F16008-SET1:FJ99L-0018-E0008-1-K-1 t = 0.6 Transparent polyvinyl chloride</p>	FPT-16P-M03	39	3120	18720
	FPT-24P-M02	32	2560	15360
	FPT-28P-M01	28	2240	13440
<p>SOP, 11.43mm(450mil), plastic</p>  <p>© 2002 FUJITSU LIMITED F28011-SET1:FJ99L-0018-E0010-1-K-1 t = 0.6 Transparent polyvinyl chloride</p>	FPT-28P-M17	28	2240	13440
<p>TSSOP,</p>  <p>© 2003 FUJITSU LIMITED FPT16-20TUBE:AP-2347-1-K-1 t = 0.6 Transparent polyvinyl chloride</p>	FPT-16P-M07	100	8000	32000
	FPT-20P-M06	78	6240	24960
	FPT-24P-M08	78	6240	24960

(Dimensions in mm)