

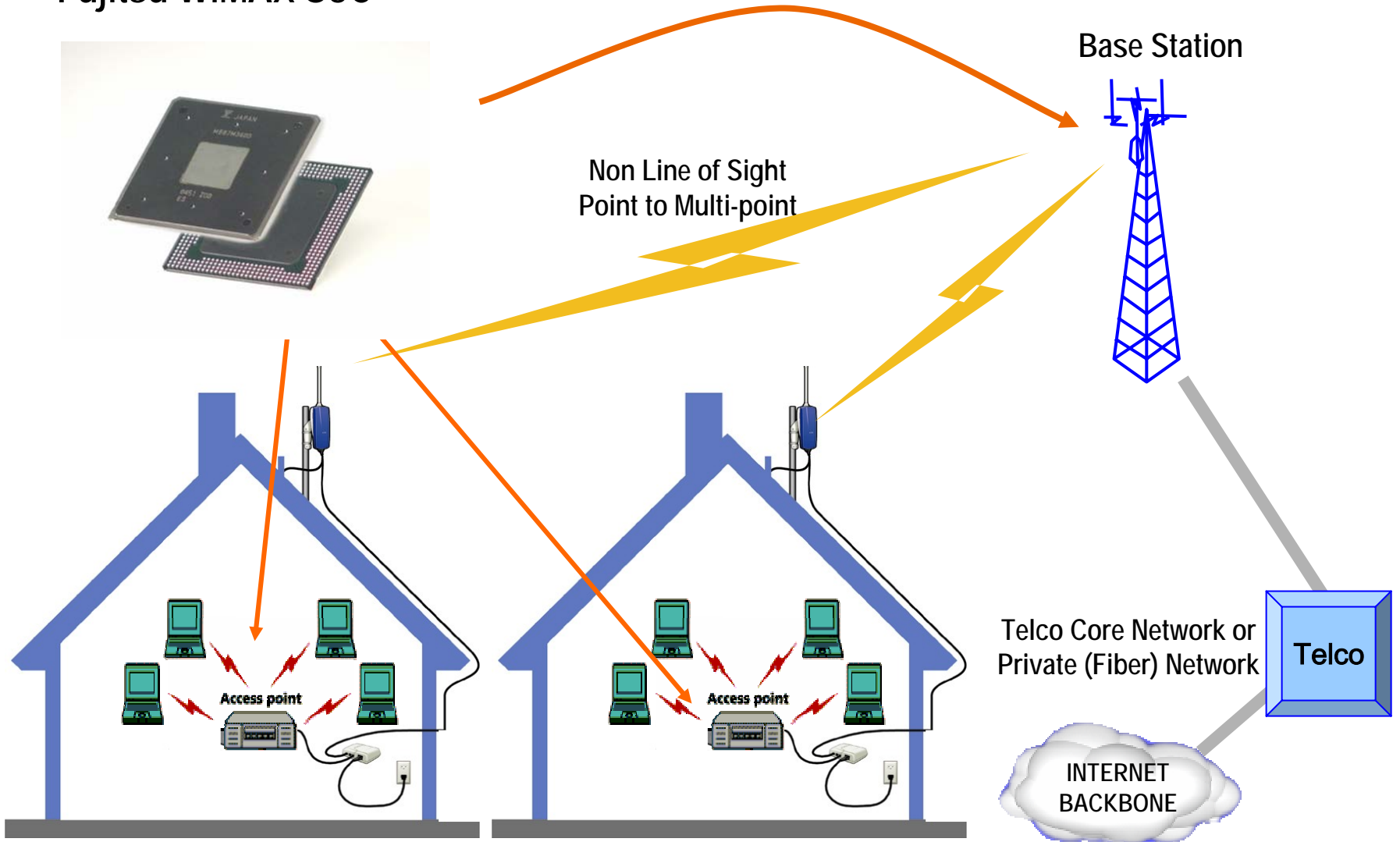
THE POSSIBILITIES ARE INFINITE

FUJITSU

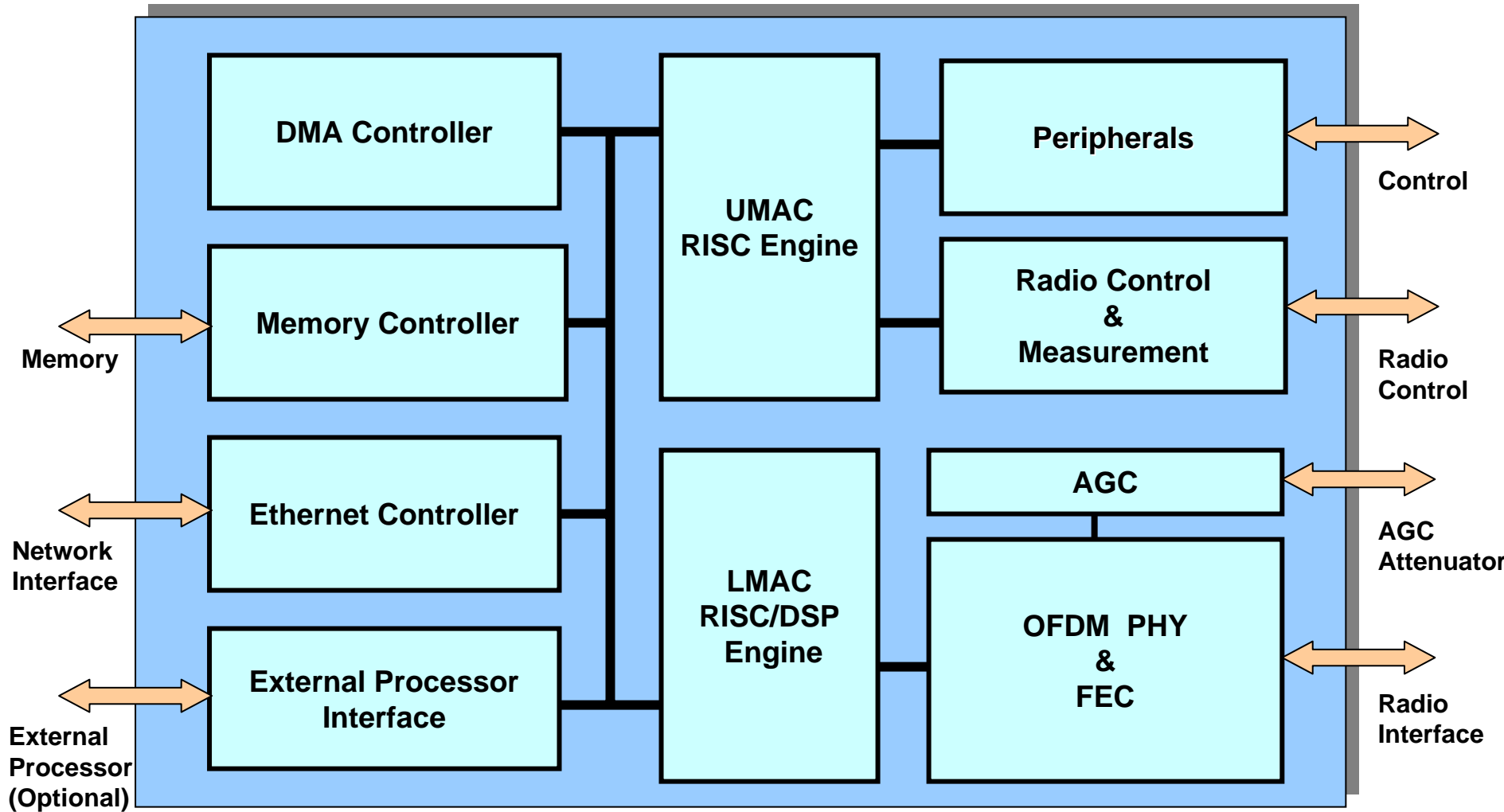
UNLEASH WIMAX

Fujitsu WiMAX SoC Applications

Fujitsu WiMAX SoC



Fujitsu WiMAX SoC Architecture



WiMAX SoC Features

- Fully Compliant with WiMAX & IEEE 802.16-2004
- Highly Integrated Solution for BWA (MAC and PHY included)

Main Features:

- OFDM PHY with TDD and HDX FDD Subscriber Station (SS) operation
- Supports Both Base Station and Subscriber Station
- OFDM 256 point FFT for broadband transmission
- 64QAM, 16QAM, QPSK, BPSK
- Uplink Sub-channelization
- Dynamic Frequency Selection (DFS) for license-exempt operation
- DES & AES encryption/decryption for 802.16 MAC privacy sub-layer

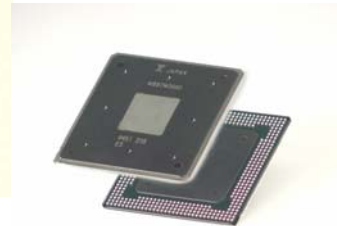
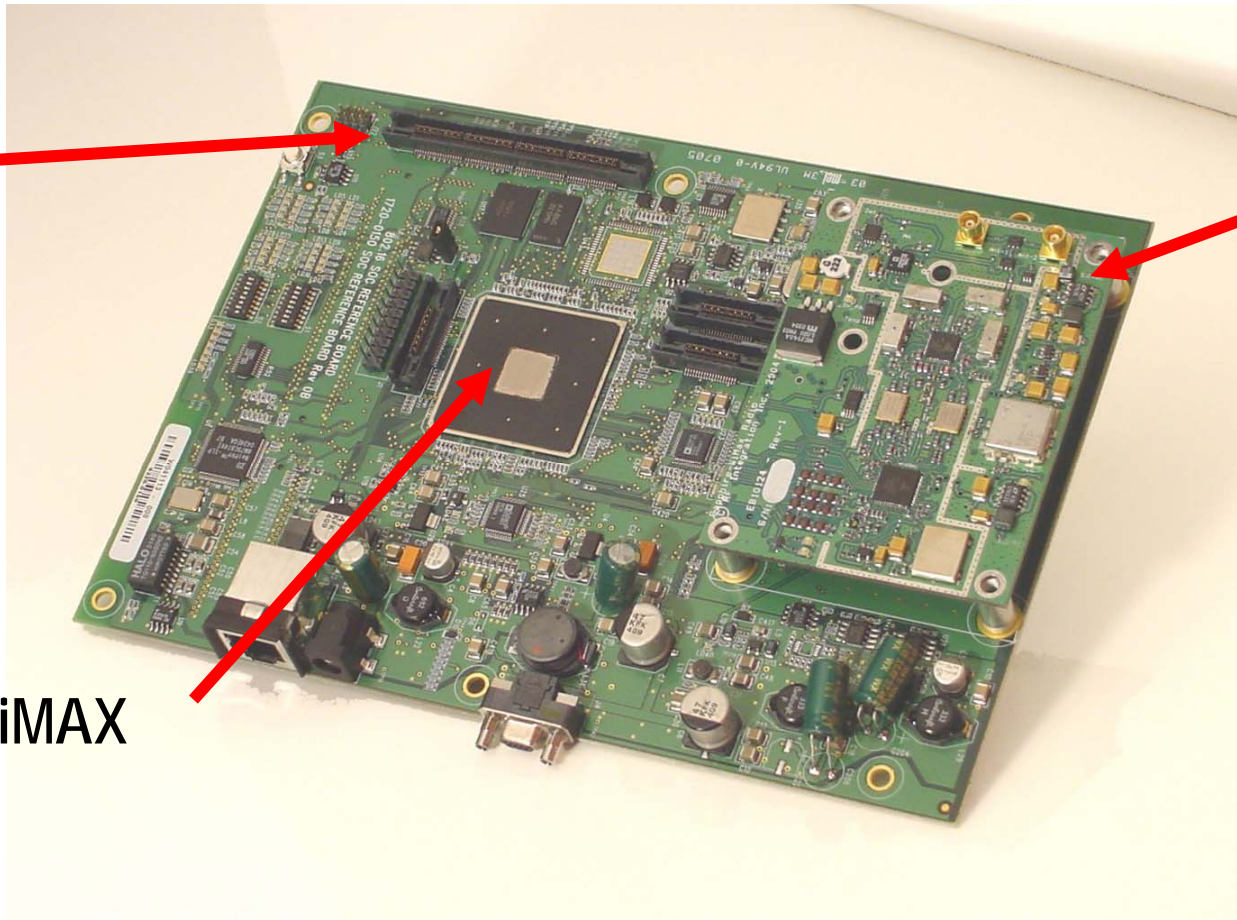
Reference Design Platform (SS)

Reference board is available now with software package.

Power PC
board slot

RF board


Fujitsu WiMAX
SoC



Ubiquitously Connected – Unleash WiMAX

THE POSSIBILITIES ARE INFINITE





FUJITSU

THE POSSIBILITIES ARE INFINITE