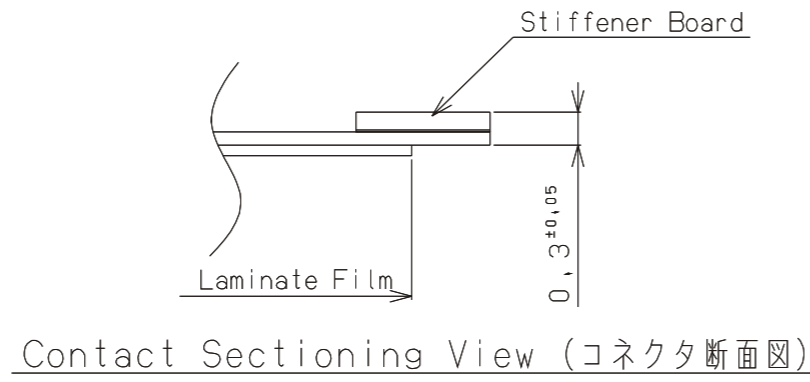
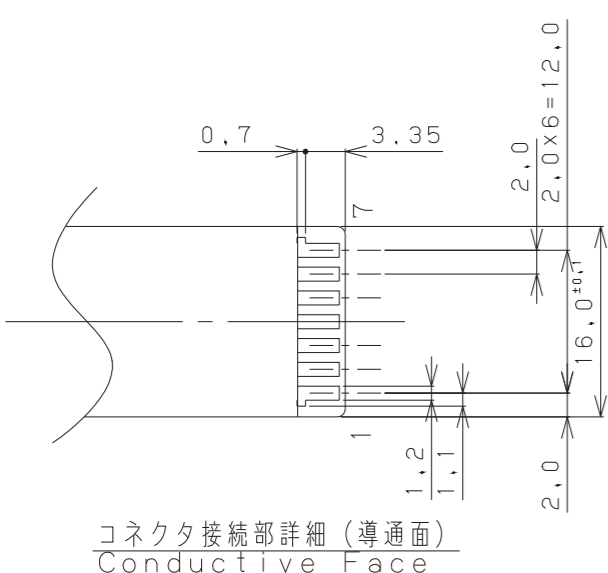


DATE DOCUMENT CONTROL SECTION



Contact Sectioning View (コネクタ断面図)

NOTE
1. Tolerance: ±0.5

Part Number: N010-0550-T811

Out line Drawing

Scale 1:1

				TITLE タッチパネル製品仕様書 TOUCH PANEL SPEC.	
				DRAW. NO. Tech Bes F&T-10120	
				FUJITSU TAKAMISAWA COMPONENT LIMITED	
EDIT	DATE	DESIG.	CHECK	DESCRIPTION	CUST.
DESIG.		CHECK	APPR.		1/1