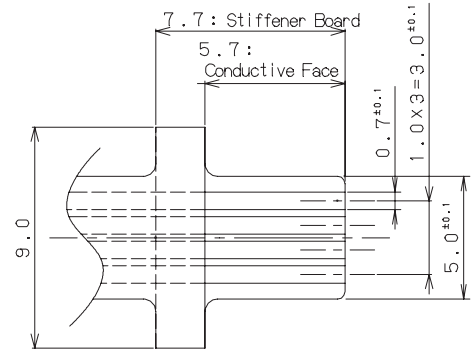
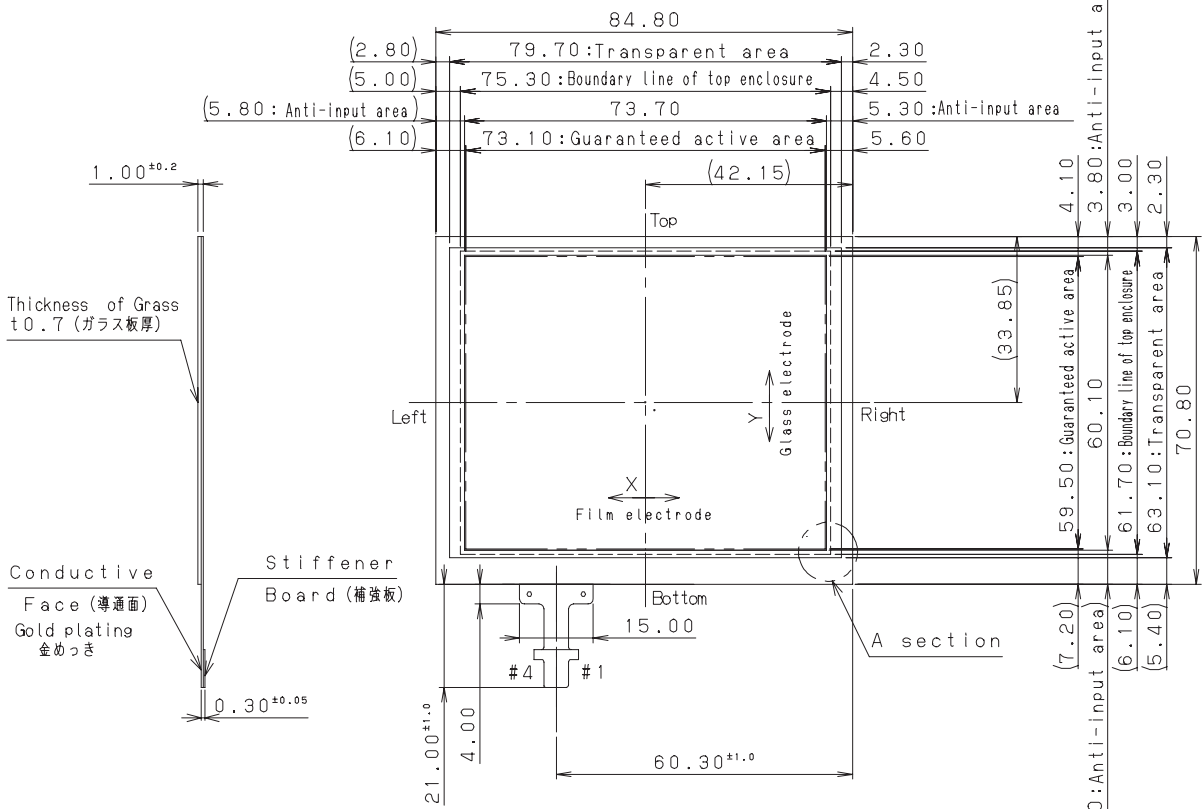


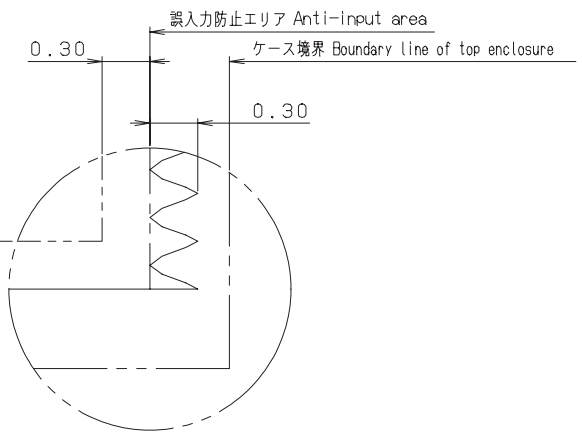
1 2 3 4 5 6 7 8

A
B
C
D

A
B
C
D



Conductive Face (導通面)
FPC-Type Cable



A section enlargement

Conductive Face (導通面)
Gold plating 金めっき
Stiffener Board (補強板)

Connector Pin Assignment

Pin #	Description
#1	Right
#2	Bottom
#3	Left
#4	Top

NOTE
 1. Tolerance: ± 0.5 (1. 指定なき寸法公差は ± 0.5 とする。)
 2. Pen & Finger input type. (2. 本品はペン/指入力兼用タイプ。)

Part Number: N010-0516-T407

RoHS compliant

DESIGN	DATE	DESIGN	CHECK	DESCRIPTION	TITLE	Touch Panel Individual Spec.
DESIGN	DATE	DESIGN	CHECK	DESCRIPTION	DRAW. NO.	Tech Bes F&T-I0548
DESIGN	DATE	DESIGN	CHECK	DESCRIPTION	APPR.	
					FUJITSU COMPONENT LIMITED	
					5/5	

DATE DOCUMENT CONTROL SECTION

1 2 3 4 5 6 7 8 01.10 FDNCA39012