

24V DRIVE, FTP-609 series

4" ULTRA HIGH SPEED MECHANISM

FTP-649MCL103/104, Easy Loading Method

■ OVERVIEW

The easy loading FTP-609 MCL Series is compact ultra high speed, 24V driven thermal printer, printing 4-inch wide paper (114mm) where platens are removable. Our unique platen removal mechanism improved paper loading and maintenance.

The FTP-609 MCL series can be used for a variety of applications, such as portable terminals, POS, ticket issuing terminals, label printers, banking terminals, and measurement and medical equipment.



■ HIGHLIGHTS

- Easy loading type
- Our unique platen removal mechanism improved paper loading and maintenance.
- Ultra compact
- Height 20.5 mm, width 139.5mm, depth 40.5 mm for the 4 inch model.
- High speed printing
It can print at 150 mm/s (1,200 dotlines/s) maximum by using Fujitsu's unique head drive control.
- High resolution printing
- Label paper capability.
- RoHS compliant

■ PART NUMBERS

Item	Part Number	
Printer mechanism	FTP-649MCL103 (front insertion type) with platen open detect switch FTP-649MCL104 (bottom insertion type) with platen open detect switch	
LSI for driving	FTP-629SR201R	
Interface board	Parallel/Serial	FTP-649DSL191R (Centronics / RS-232C)
	USB (V2.0)	FTP-649DSL192R
Mechanism adapter board	NA02272-V05201 (board + screws)	
Thermal head cable	FTP-629Y001 (extension from mechanism to I/F board)	
Cables	USB	FTP-629Y301
	Serial	FTP-629Y302
	Power	FTP-629Y602

■ SPECIFICATIONS

Item	Specifications	
Part number	FTP-649MCL103/104	
Printing method	Thermal line dot method	
Dot structure	864 dots/line	
Dot pitch (horizontal)	0.125mm (8dots/mm) - Dot density	
Dot pitch (vertical)	0.125mm (8dots/mm) - Line feed pitch	
Effective printing area	108mm	
Number of columns	ANK 72 columns/line (maximum 12 x 24 dot font)	
Paper width	MCL103	112mm
	MCL104	114mm +0/-1
Paper thickness	MCL103	80 to 120 μ m (some paper may not be used because of characteristics)
	MCL104	80 to 150 μ m
Printing speed	Maximum 150mm/sec. (1,200 dot lines/sec.) 24V page mode	
Character types	Alphanumeric, katakana:	159 types
	International and special characters:	195 types
	OCR I	103 types
	OCR III	23 types
	OCR IV	103 types
	Extended numeric	11 types
	JIS Kanji level 1, level 2, non-Kanji	about 6,800 types
Character, dimensions (WxH), number of columns	12 x 24 dots, 72 columns: ANK 24 x 24 dots, 36 columns: ANK, Kanji 8 x 16 dots, 108 columns: ANK 16 x 16 dots, 52 columns: ANK, Kanji 24 x 40 dots, 36 columns: OCR I 24 x 48 dots, 36 columns: OCR III 36 x 60 dots, 24 columns: OCR IV 24 x 48 dots, 36 columns: Extended numeric	

■ SPECIFICATIONS

Item		Specifications
		FTP-649MCL103/104
Interface		Conforms to RS232C / USB
Operating Voltage	for print head	24V, average current 2.5A (6.7 A peak) Printing ratio: 25%, printing speed 150mm/sec., 24V
	for motor	24V, 1.1A maximum
	for logic	4.75 to 5.25 VDC, 0.3A maximum
Dimensions	Mechanism	139.5 x 40.5 x 20.5mm (W x D x H)
	Interface board	95 x 75 x 20mm (W x D x H)
Weight	Mechanism	Approximately 160 g
	Interface board	Approximately 50g
Life	Head	Pulse resistance: 100 million pulses/dot (under our standard conditions). Abrasion resistance: paper traveling distance 100km (print ratio: 12.5% or less)
	Platen	5,000 times (open/close)
Operating environment	Operating temperature*	0°C to +50°C
	Operating humidity	20 to 85% RH (no condensation)
	Storage	-20°C to +70°C (paper not included)
	Storage humidity	5 to 95% RH (no condensation)
Detection function	Head temperature detection	Detected by thermistor
	Paper out/ mark detection	Detected by photo interruptor
Recommended thermal sensitive paper	High sensitive paper	TF50KS-E4 (Nippon paper)
	Standard paper	TK60KS-E (Nippon paper) PD150R (Oji paper) FTP-040P0020 (114mm)
	Medium life paper	TK60KS-F1 (Nippon paper) PD170R (Oji paper) P220VBB-1 (Mitsubishi paper)
	Long life paper	PD160R-N (Oji paper) AFP-235 (Mitsubishi paper) HA220AA (Nippon paper)
	Label paper	HW54T (Nippon paper)

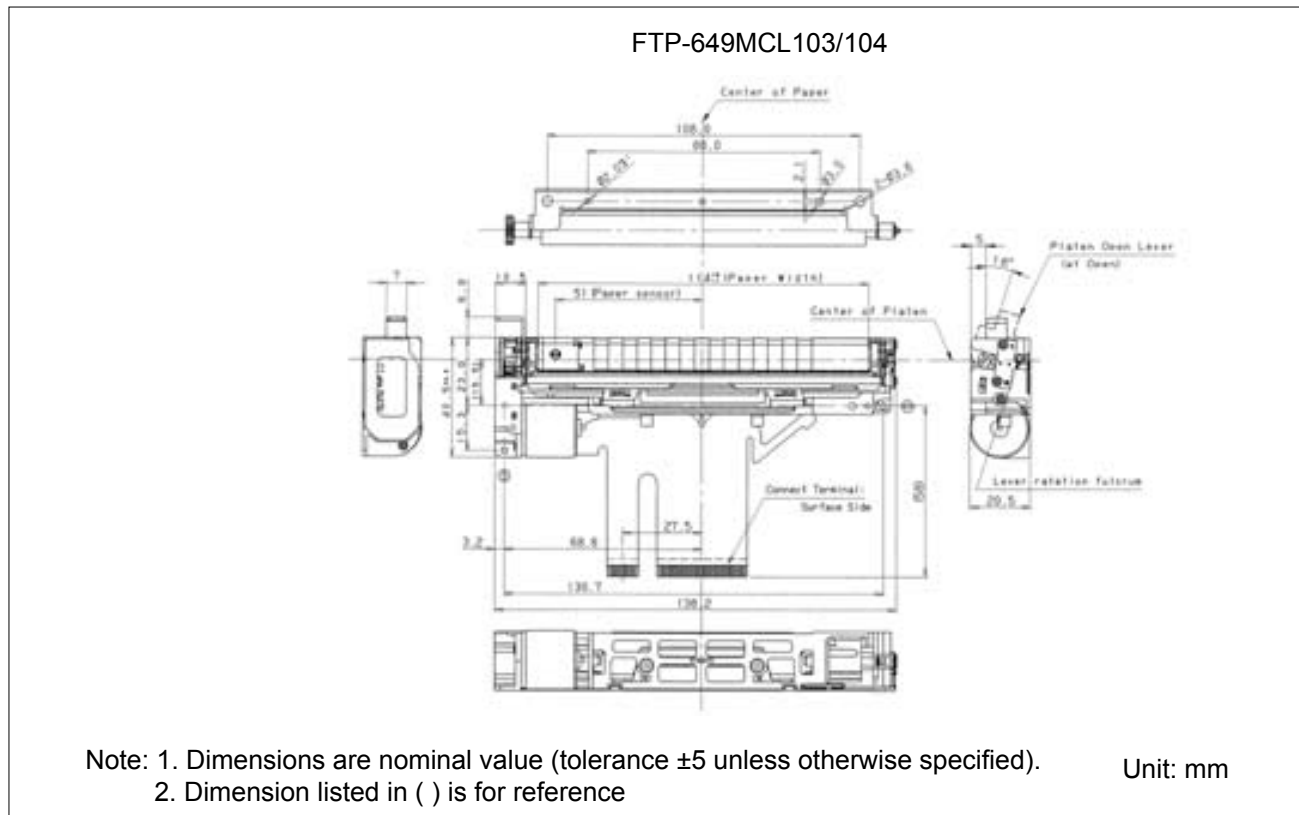
*+5°C to +40°C printing density assurance range (0 to 50°C capability)

FUNCTION

Item	Item
1. Test print function	8. Motor power saving function
2. Paper out detection	9. Mark detection function
3. Paper near end detection	10. MCU operation abnormality detection
4. Platen open detect	11. Power ON/OFF sequence protection
5. Thermal head temperature abnormality detection	12. Motor over-current protection
6. Blow-out fuse detection	13. Hardware timer
7. Head voltage abnormality detection	

DIMENSIONS

1. Printer mechanism: 4 inch



FTP-649 MCL103/104

1. Thermal head, control circuit side connector:

CN1: 52610-3071 (Molex)

CN2: 52610-1071 (Molex)

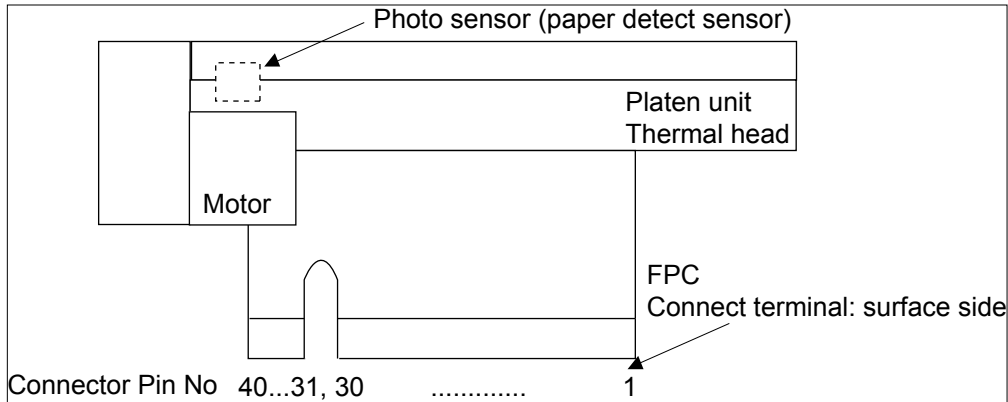
2. Pin assignment (flexible) of the printer mechanical side:

CN1: the platen release switch side is defined as No. 1

CN2: the motor excitation signal side is defined as No. 1 (31)

No	Signal	Contents
1	SW	Platen open switch
2	SW	Platen open switch
3	VH	Head drive power
4	VH	Head drive power
5	VH	Head drive power
6	VH	Head drive power
7	DI	Data in
8	$\overline{\text{STB 3}}$	Strobe 3
9	$\overline{\text{STB 4}}$	Strobe 4
10	Vdd	Logic power
11	TM	Head thermistor
12	GND	Head ground
13	GND	Head ground
14	GND	Head ground
15	GND	Head ground
16	GND	Head ground
17	GND	Head ground
18	GND	Head ground
19	GND	Head ground
20	GND	Head ground
21	TM	Head thermistor
22	$\overline{\text{STB 1}}$	Strobe 1
23	$\overline{\text{STB 2}}$	Strobe 2
24	$\overline{\text{LAT}}$	Data latch
25	CLK	Clock
26	DO	Data out
27	VH	Head drive power
28	VH	Head drive power
29	VH	Head drive power
30	VH	Head drive power

No	Signal	Contents
31	PHK	Cathode
32	VSEN	Paper sensor power
33	PHE	Emitter
34	MT A	Excitation signal A
35	MT/A	Excitation signal/A
36	MT B	Excitation signal B
37	MT/B	Excitation signal/B
38	TM	Motor thermistor
39	TM	Motor thermistor
40	NC	Not connected



Fujitsu Components International Headquarter Offices

Japan

Fujitsu Component Limited
 Gotanda-Chuo Building
 3-5, Higashigotanda 2-chome, Shinagawa-ku
 Tokyo 141, Japan
 Tel: (81-3) 5449-7010
 Fax: (81-3) 5449-2626
 Email: promothq@ft.ed.fujitsu.com
 Web: www.fcl.fujitsu.com

North and South America

Fujitsu Components America, Inc.
 250 E. Caribbean Drive
 Sunnyvale, CA 94089 U.S.A.
 Tel: (1-408) 745-4900
 Fax: (1-408) 745-4970
 Email: components@us.fujitsu.com
 Web: <http://www.fujitsu.com/us/services/edevices/components/>

Europe

Fujitsu Components Europe B.V.
 Diamantlaan 25
 2132 WV Hoofddorp
 Netherlands
 Tel: (31-23) 5560910
 Fax: (31-23) 5560950
 Email: info@fceu.fujitsu.com
 Web: emea.fujitsu.com/components/

Asia Pacific

Fujitsu Components Asia Ltd.
 102E Pasir Panjang Road
 #01-01 Citilink Warehouse Complex
 Singapore 118529
 Tel: (65) 6375-8560
 Fax: (65) 6273-3021
 Email: fcal@fcal.fujitsu.com
 Web: <http://www.fujitsu.com/sg/services/micro/components/>

©2010 Fujitsu Components America, Inc. All rights reserved. All trademarks or registered trademarks are the property of their respective owners.

Fujitsu Components America or its affiliates do not warrant that the content of datasheet is error free. In a continuing effort to improve our products Fujitsu Components America, Inc. or its affiliates reserve the right to change specifications/datasheets without prior notice.
 Rev. February 10, 2010.