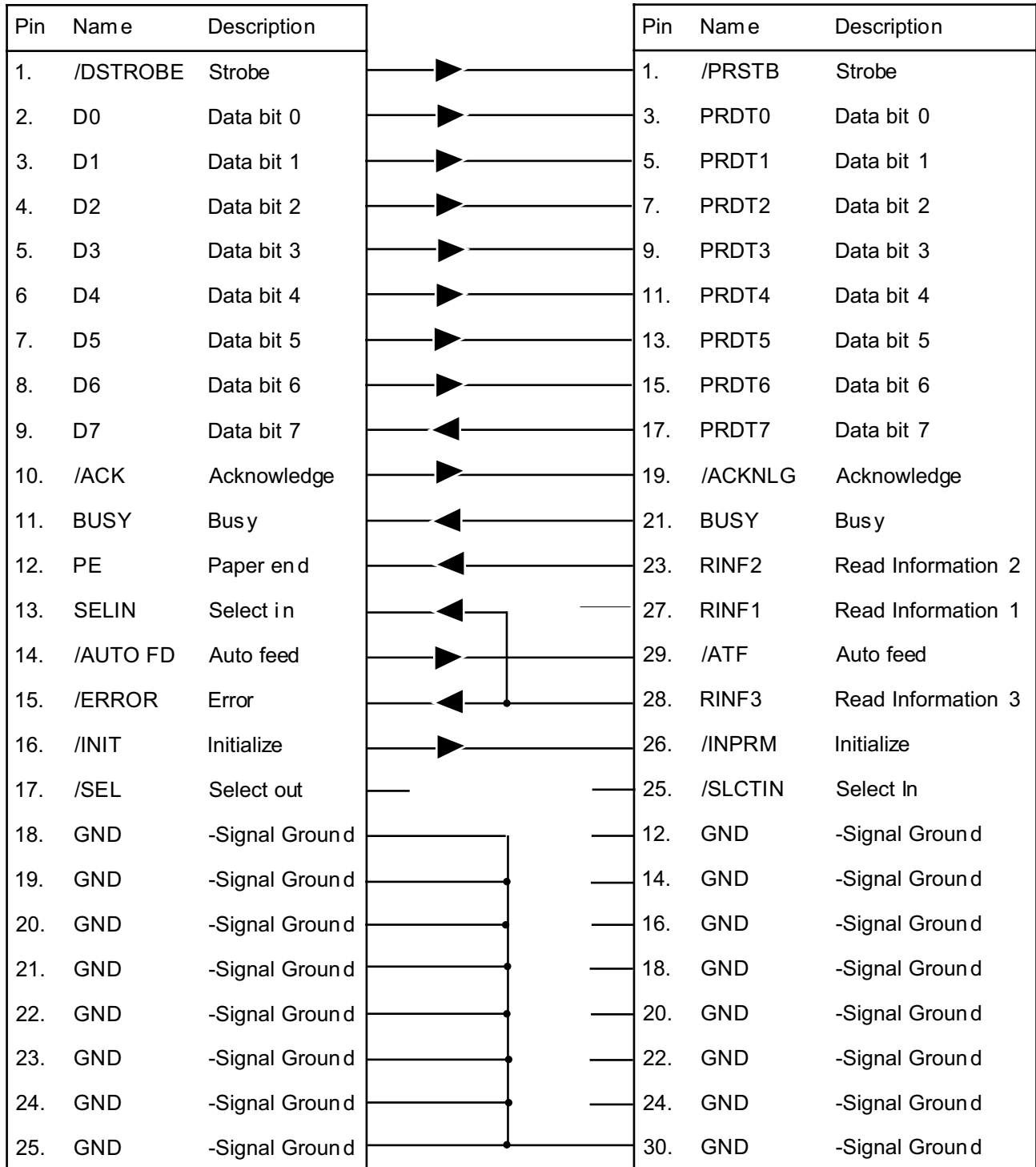


Thermal Printer to PC Connection

1. Parallel (Centronics) Interface

D-SUB 25 Pin Connector
Pin Layout: (PC)

FTP-622/624/627/628/629DCL Connector
Pin Layout: (IF board)



Thermal Printer - PC Connection

2. Serial (RS-232C) Interface

2.1 Serial

2.1.1 XON/XOFF mode

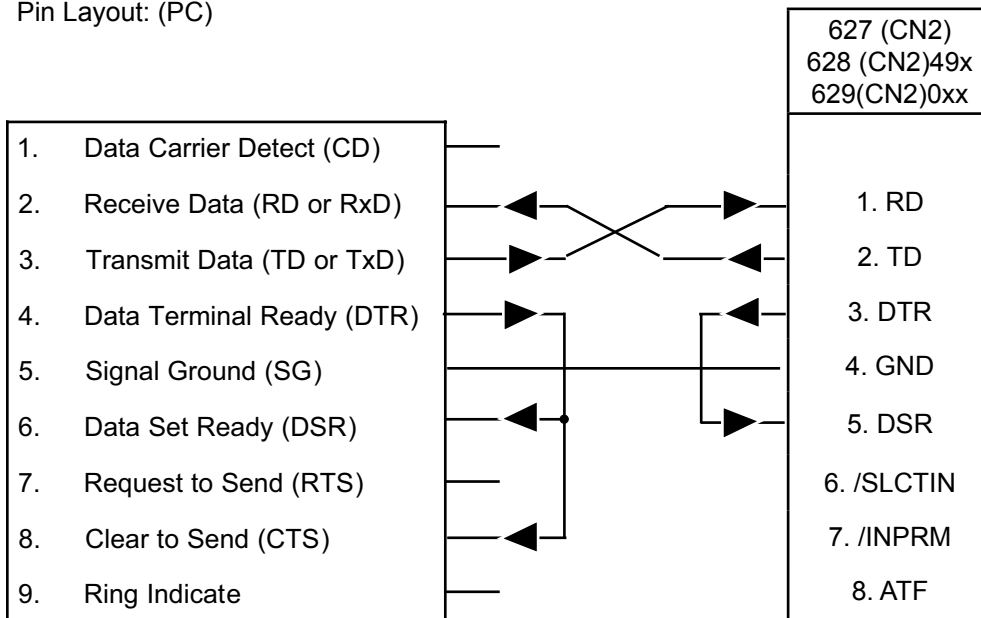
D-SUB DB 9 Connector

Pin Layout: (PC)

FTP-627DSL/628DSL490 series/

629DSL Connector

Pin Layout: (IF board)



2.1.2 Hardware Handshake mode

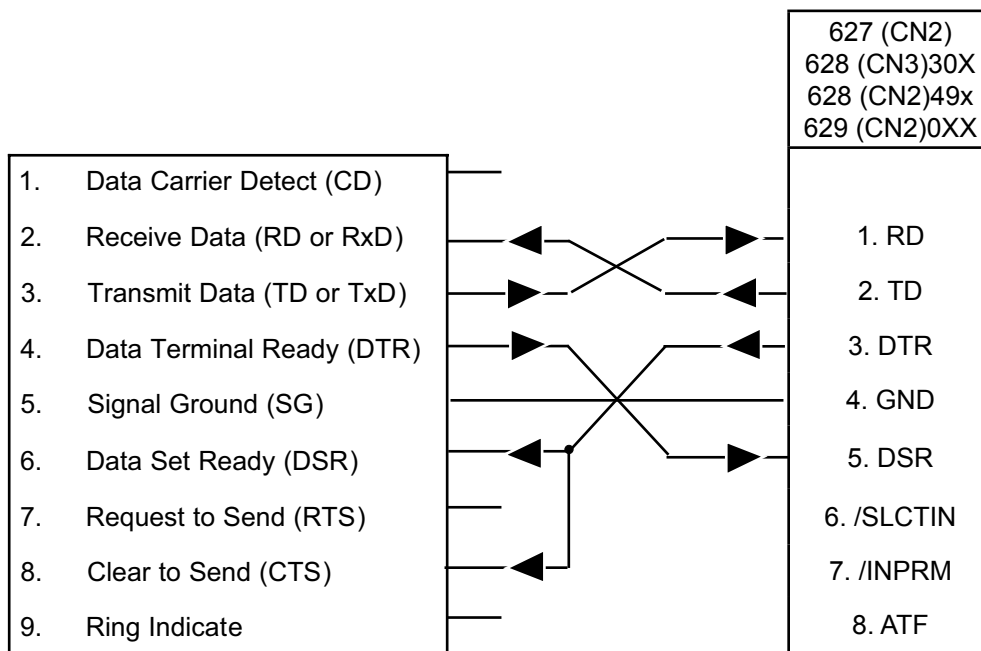
D-SUB DB 9 Connector

Pin Layout: (PC)

FTP-627DSL/628DSL/

629DSL Connector

Pin Layout: (IF board)



Thermal Printer - PC Connection

2. Serial (RS-232C) Interface

2.1 Serial

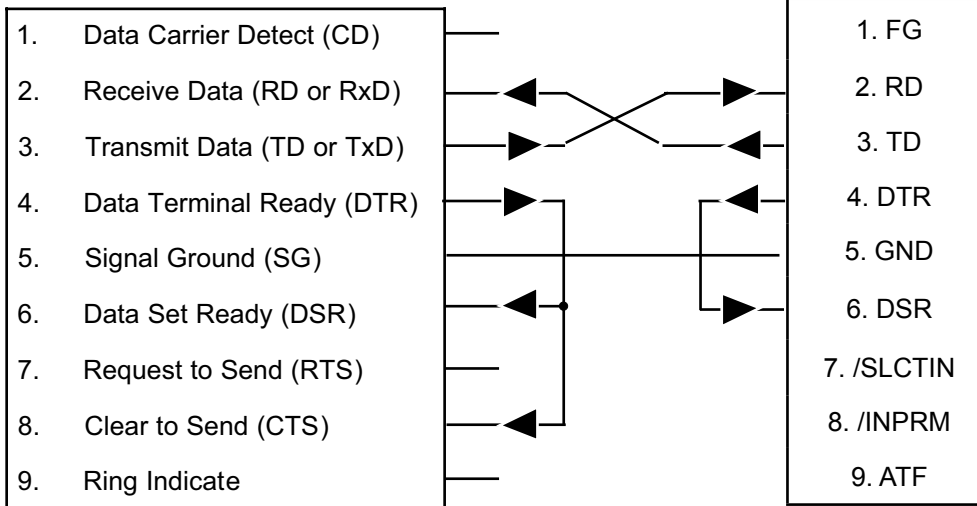
2.1.1 XON/XOFF mode

D-SUB DB 9 Connector

Pin Layout: (PC)

FTP-629DSL100 series Connector

Pin Layout: (IF board)



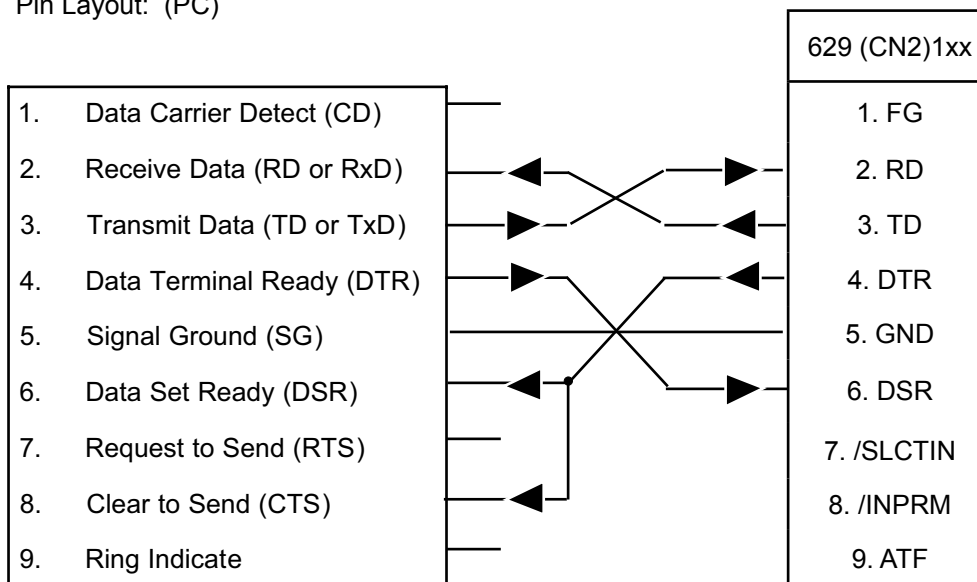
2.1.2 Hardware Handshake mode

D-SUB DB 9 Connector

Pin Layout: (PC)

FTP-629DSL100 series Connector

Pin Layout: (IF board)



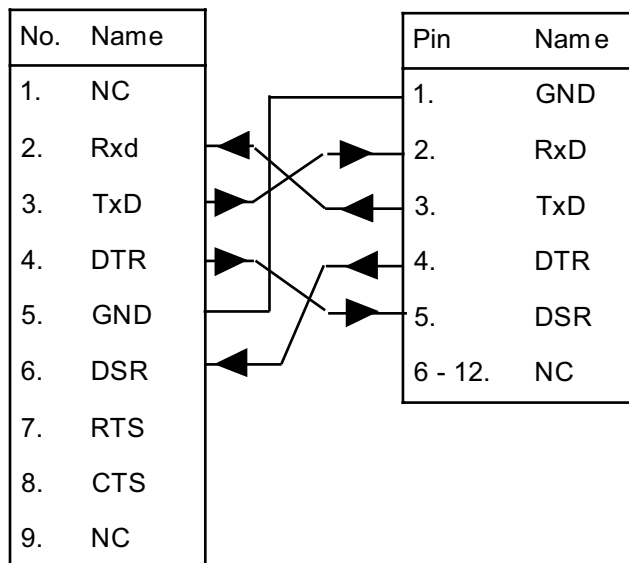
Thermal Printer - PC Connection

2.2 Stand Alone - Battery, 120/240 VAC

D-SUB 9 Pin Connector

Methods of connecting control circuit board and PC.

B. Hardware Handshake mode. FTP-628WSL



Fujitsu Components International Headquarter Offices

Japan

Fujitsu Component Limited
 Gotanda-Chuo Building
 3-5, Higashigotanda 2-chome, Shinagawa-ku
 Tokyo 141, Japan
 Tel: (81-3) 5449-7010
 Fax: (81-3) 5449-2626
 Email: promothq@ft.ed.fujitsu.com
 Web: www.fcl.fujitsu.com

North and South America

Fujitsu Components America, Inc.
 250 E. Caribbean Drive
 Sunnyvale, CA 94089 U.S.A.
 Tel: (1-408) 745-4900
 Fax: (1-408) 745-4970
 Email: components@us.fujitsu.com
 Web: <http://www.fujitsu.com/us/services/edevice/components/>

Europe

Fujitsu Components Europe B.V.
 Diamantlaan 25
 2132 WV Hoofddorp
 Netherlands
 Tel: (31-23) 5560910
 Fax: (31-23) 5560950
 Email: info@fceu.fujitsu.com
 Web: emea.fujitsu.com/components/

Asia Pacific

Fujitsu Components Asia Ltd.
 102E Pasir Panjang Road
 #01-01 CitiLink Warehouse Complex
 Singapore 118529
 Tel: (65) 6375-8560
 Fax: (65) 6273-3021
 Email: fcal@fcal.fujitsu.com
 Web: <http://www.fujitsu.com/sg/services/micro/components/>

©2009 Fujitsu Components America, Inc. All rights reserved. All trademarks or registered trademarks are the property of their respective owners.

Fujitsu Components America or its affiliates do not warrant that the content of datasheet is error free. In a continuing effort to improve our products Fujitsu Components America, Inc. or its affiliates reserve the right to change specifications/datasheets without prior notice.
 Rev. February 2, 2009.