

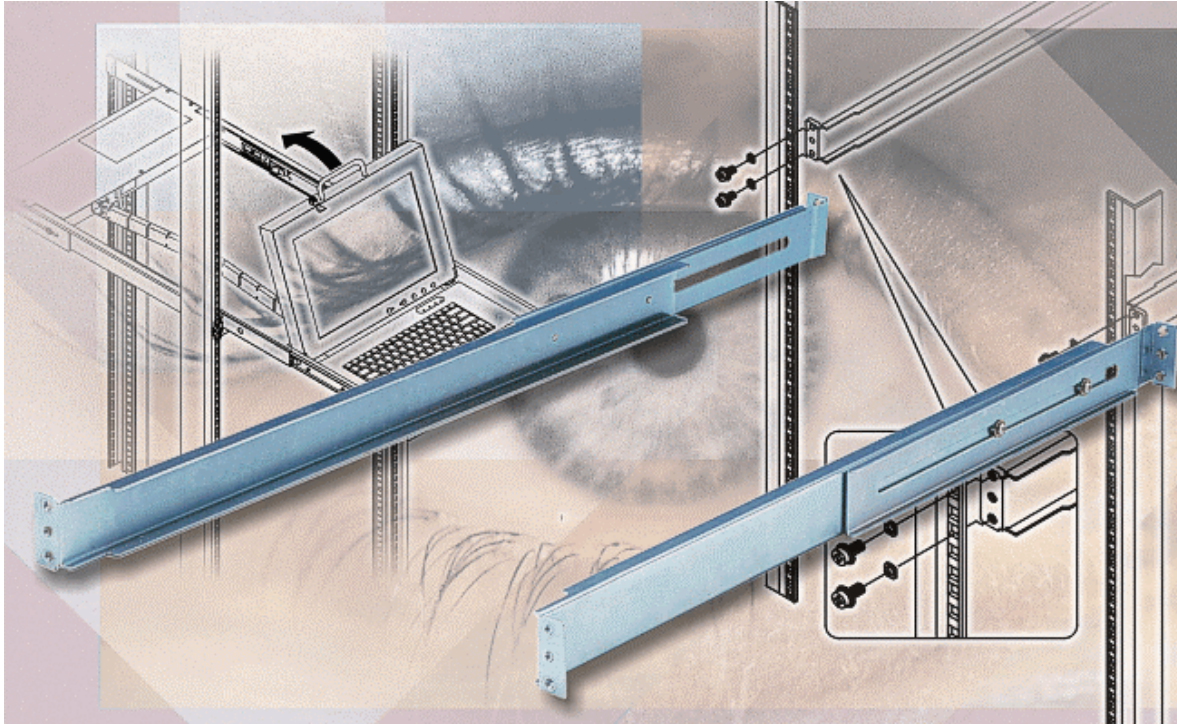


# Console Guide Rails



## Console Drawer Guide Rails – FD-100XX Compatible

Guide Rails for Fujitsu’s line up of Rack Mounted Console Drawer units allowing single handed Installation and set-up.



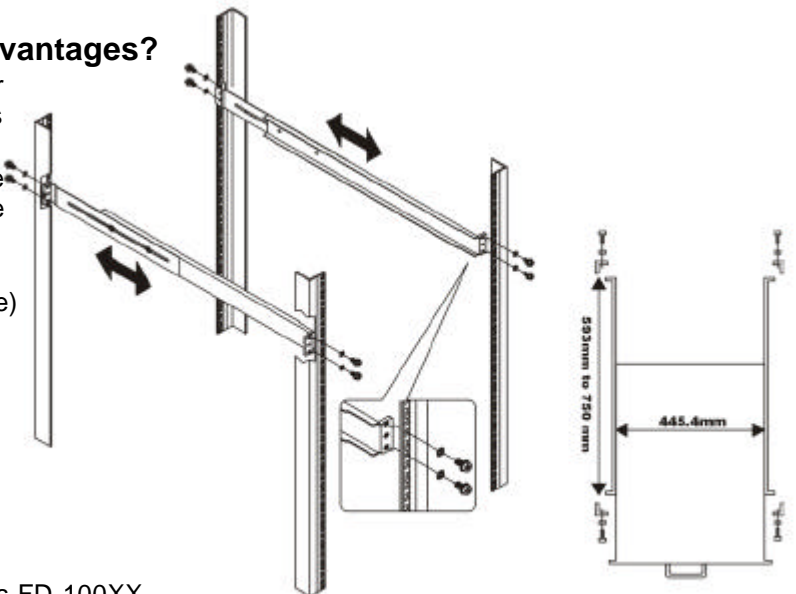
### ! SERVIS Guide Rails – What are the advantages?

Both for initial installation and for ongoing Server maintenance or Server redeployment, the guide rails allow easy access and manipulation of the Fujitsu Console Drawer product. The guide rails are available in 3 different sizes to suit virtually all the requirements of your rack server room.

- Standard Inside Mounted – T591 R (opposite)
- Outside Mounted – T592 R (illustrated over)
- Side Mounted – T593 R (illustrated over)

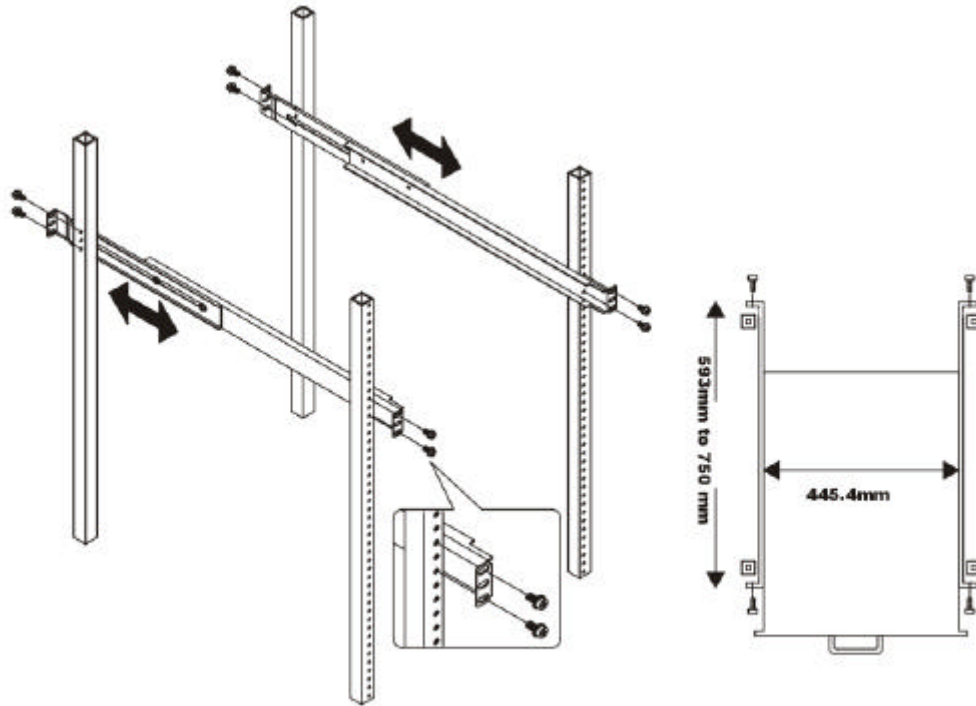
### ! FEATURES

- Extendable length up to 750mm
- Includes all screws, washers and fixings.
- Compatible with all Console Drawer products FD-100XX



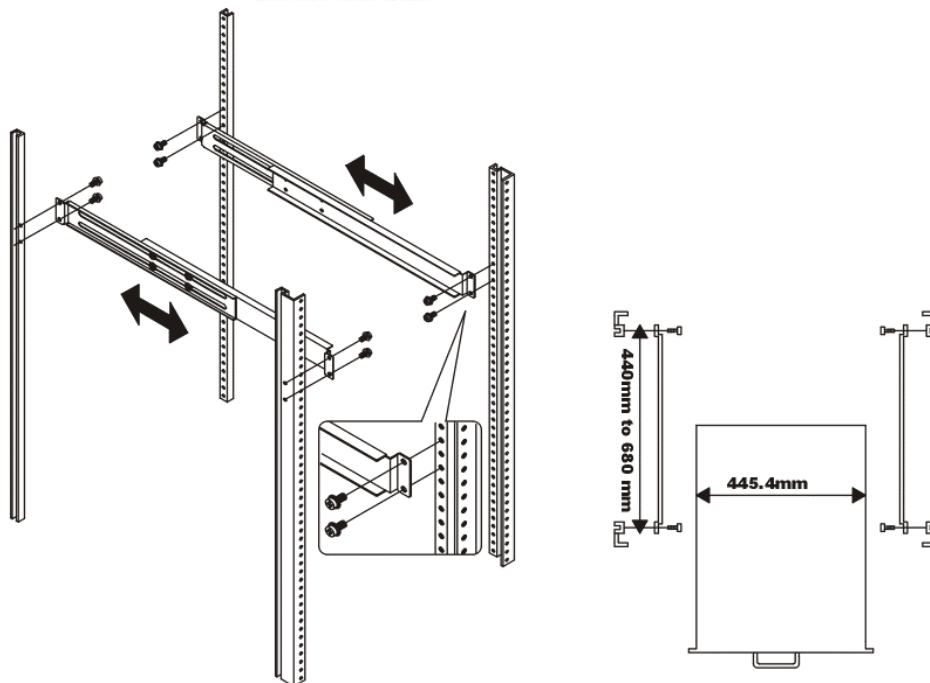
Standard Inside Mounted Guide rails  
NC14003-T591

Please note that this information may be subject to change



**Outside Mounted Guide rails**  
NC14003-T592

NC14003-T592 R



**Side Mounted Guide rails** NC14003-T593R  
NC14003-T593

KVMs and related products should not be used for the control of extremely hazardous processes, like nuclear reactors, or patient monitoring systems. In the event of a decision to use the products in these areas, the customer/distributor assumes the responsibility for the decision. Always read the manual and do not use in areas of high dirt, water or condensation.

The SERVIS logo is a trademark of Fujitsu Component Limited.

Please note that this information may be subject to change NC14003-T593R

**FUJITSU**

THE POSSIBILITIES ARE INFINITE