

1U TFT-LCD 17" Multi-Interface Console Drawer

SERVIS™ Lift-Up Drawer

FD-5200MT Series

The SERVIS™ Drawer offers the latest, comfortable and efficient way to control server cabinets for Reliability, Availability, and Serviceability. The drawers new multi-support interface provide user with easy selection of input device interface.

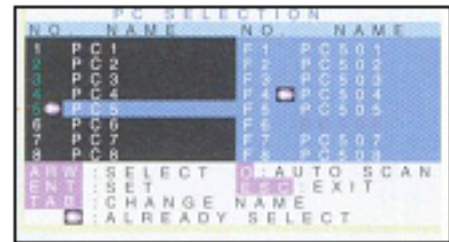


■ FEATURES

- The model supports the following interfaces (PS/2, USB, SUN I/O and USB).
- A 17 inch 1280 x 1024 high resolution SXGA TFT color LCD monitor, a membrane switch keyboard and optical reflect mouse.
- RoHS compliant
- Keyboard lifts up automatically as the display is opened. When not in use, the display folds down and latches closed and the 1U drawer pushes into cabinet easily and smoothly.
- Quick and easy installation. Slide rails are NOT included, available in 3 optional configurations.
- Drawer comes with space to install the 4-port Multi-KVM, in the field. (NC14012-B816/US R only)
- Optional built-in 8-, 16-port KVM drawer available (Server Drawer Multi)
 - I/F support: PS/2, USB, SUN I/O, USB
 - On Screen Display (OSD) function

In Hot Key Mode, the selection screen is displayed on the monitor. This display lets you assign names of PCs and select PCs using the cursor key.

 - Hot Key: any server is selected by the keyboard directly.
- Cascadeable (up to 256 ports)
- Both separate-sync and composite sync video signals are supported



In use
445.4 (W) x 1210 (D)
x 370 (H) mm



In cabinet
445.4 (W) x 680 (D)
x 43(H) mm



Guide rails



Lift-Up structure



Hg LAMP(S) INSIDE THIS PRODUCT CONTAIN MERCURY AND MUST BE RECYCLED OR DISPOSED OF ACCORDING TO LOCAL, STATE OR FEDERAL LAWS.

FD-5200MT SERVIS Lift-Up Drawer

■ SPECIFICATIONS

Product Name / Model		SERVIS Drawer / FD-5200MT 17 " series			
Part Number		NC14012-B816/US R*	NC14012-B856/US R***	NC14012-B866/US R****	
19 inch rack space requirement		1U			
LCD drawer part	LCD display		17 inch SXGA TFT color LCD		
	LCD resolution		1280 x 1024		
	LCD supported video signal (H, V sync. signal)		Separate sync. / Composite sync.		
	Keyboard	# of keys	83 keys (US), (other languages: 84 keys (Europe), 87 keys (Japan))		
		I/F	Multi-interface**	PS/2: connected with KVM port	
	Mouse	Type	Optical Reflect Mouse		
I/F		Multi-interface**	PS/2: connected with KVM port		
KVM part	Supported PC/Server		Servers with PS/2, USB, Sun I/O and USB I/F		
	Number of server connections (max. number in cascade connections)		-	8 units (64)	16 units (256)
	Selection method		-	Hot keys, OSD	
	LED indicator	Power	-	8	16
		Select	-	8	16
	Console Port with interface	Keyboard	-	PS/2 Mini Din 6-pin (female) x1: not connected	
		Mouse	-	PS/2 Mini Din 6-pin (female) x1: to be connected	
		Monitor	-	Mini D-SUB 15P (female) x1: to be connected	
	Supported interface for cascaded server	Keyboard	-	PS/2 keyboard compliant	
		Mouse	-	PS/2 mouse compliant	
		USB	-	USB 1.1 compliant	
		Sun I/O	-	Sun keyboard / mouse compliant	
	Server cascade port		-	Mini D-SUB 15P (female) x 8	Mini D-SUB 15P (female) x 16
	OSD modes manual		-	Hot key mode / Auto scan mode	
Auto scan intervals		-	3 / 5 / 10 (default), 20 / 40 / 60 seconds		
General	Power supply		100 to 240VAC		
	Operating environment		10 - 35°C / 20-80%RH		
	Dimension (main unit)		445.4(w) x 680 (d) x 43 (h)mm in storage 445.4 (w) x 1210 (d) x 370 (h)mm in operation		
	Weight (main unit)		12.5kg	13kg	13kg
	Included accessories		User manual (x1), PS/2, USB cable (1 each)	User manual (x1)	

* 4-port KVM: NC14004-B042 can be installed inside drawer (separate purchase). 8/16-port KVM has to be factory installed.

** NC14012-B816/US R Multi-interface supported by changing cable. 2.0m PS/2 & USB cables are included, SUN I/O cable sold separately.

*** with 8-port KVM

**** with 16-port KVM

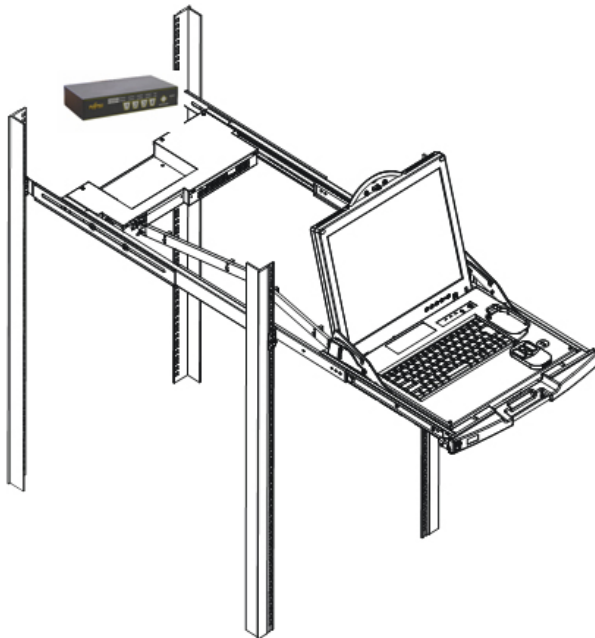
FD-5200MT SERVIS Lift-Up Drawer

■ OPTIONAL ACCESSORIES

AC cable	AC Power cable	for 8-, 16-port KVM, all US drawer models*	NC14004-B074 R
Drawer I/F cables for NC14012- B816/US R only	Sun I/O cable	2.0m	NC14000-B890/20 R
Interface cables for KVM built-in console drawers	PC cable	1.8m	NC14000-B602 R
		3.0m	NC14000-B603 R
		5.0m	NC14000-B605 R
	USB cable	1.8m	NC14000-B102 R
		3.0m	NC14000-B103 R
		5.0m	NC14000-B105 R
	Sun I/O cable	1.8m	NC14000-B202 R
		3.0m	NC14000-B203 R
		5.0m	NC14000-B205 R

Guide Rails	
Standard inside mounted guide rail	NC14003-T591 R
Outside mounted guide rail	NC14003-T592 R, NC14003-T596 R
Side mounted guide rail	NC14003-T593 R, NC14003-T595 R

■ 4-PORT KVM INSTALLATION



FD-5200MT SERVIS Lift-Up Drawer

■ SERVIS Families

KVM			
Model/Series		Part Number	Description
SERVIS MULTI: FS-1004MT	4-port KVM	NC14004-B042 R	FS-1004MT 4-port multi KVM switch
SERVIS MULTI: FS-1008MT	8-port KVM	NC14004-B082 R	FS-1008MT 8-port multi KVM switch
SERVIS MULTI: FS-1016MT	16-port KVM	NC14004-B162 R	FS-1016MT 16-port multi KVM switch
Cat5Extender			
Model/Series		Part Number	Description
Cat5 Wide Band: FE-1000CW		NC14004-B721/U R	300 m Cat5 Extender Kit of local and remote units, remote unit to be console port only, compact size: 110 (W)x 100 (D) x 25 (H)mm
Cat5 Wide Band: FE-2000CW		NC14004-B717/U R	300 m Cat5 Extender Kit of local and remote units , remote unit to be console port only, support audio and touchpanel (RS232: TxD, RxD only)

Fujitsu Components International Headquarter Offices

<p>Japan Fujitsu Component Limited Gotanda-Chuo Building 3-5, Higashigotanda 2-chome, Shinagawa-ku Tokyo 141 8630, Japan Tel: (81-3) 5449-7010 Fax: (81-3) 5449-2626 Email: promothq@fcl.fujitsu.com Web: www.fcl.fujitsu.com/en/</p>	<p>Europe Fujitsu Components Europe B.V. Diamantlaan 25 2132 WV Hoofddorp Netherlands Tel: (31-23) 5560910 Fax: (31-23) 5560950 Email: info@fceu.fujitsu.com Web: emea.fujitsu.com/components/</p>
<p>North and South America Fujitsu Components America, Inc. 250 E. Caribbean Drive Sunnyvale, CA 94089 U.S.A. Tel: (1-408) 745-4900 Fax: (1-408) 745-4970 Email: components@us.fujitsu.com Web: http://us.fujitsu.com/kvm/</p>	<p>Asia Pacific Fujitsu Components Asia Ltd. 102E Pasir Panjang Road #01-01 Citilink Warehouse Complex Singapore 118529 Tel: (65) 6375-8560 Fax: (65) 6273-3021 Email: fcal@fcal.fujitsu.com Web: http://www.fujitsu.com/sg/services/micro/components/</p>

©2008 Fujitsu Components America, Inc. All rights reserved. All trademarks or registered trademarks are the property of their respective owners.

Fujitsu Components America or its affiliates do not warrant that the content of datasheet is error free. In a continuing effort to improve our products Fujitsu Components America, Inc. or its affiliates reserve the right to change specifications/datasheets without prior notice.
 Rev. April 25, 2008.