

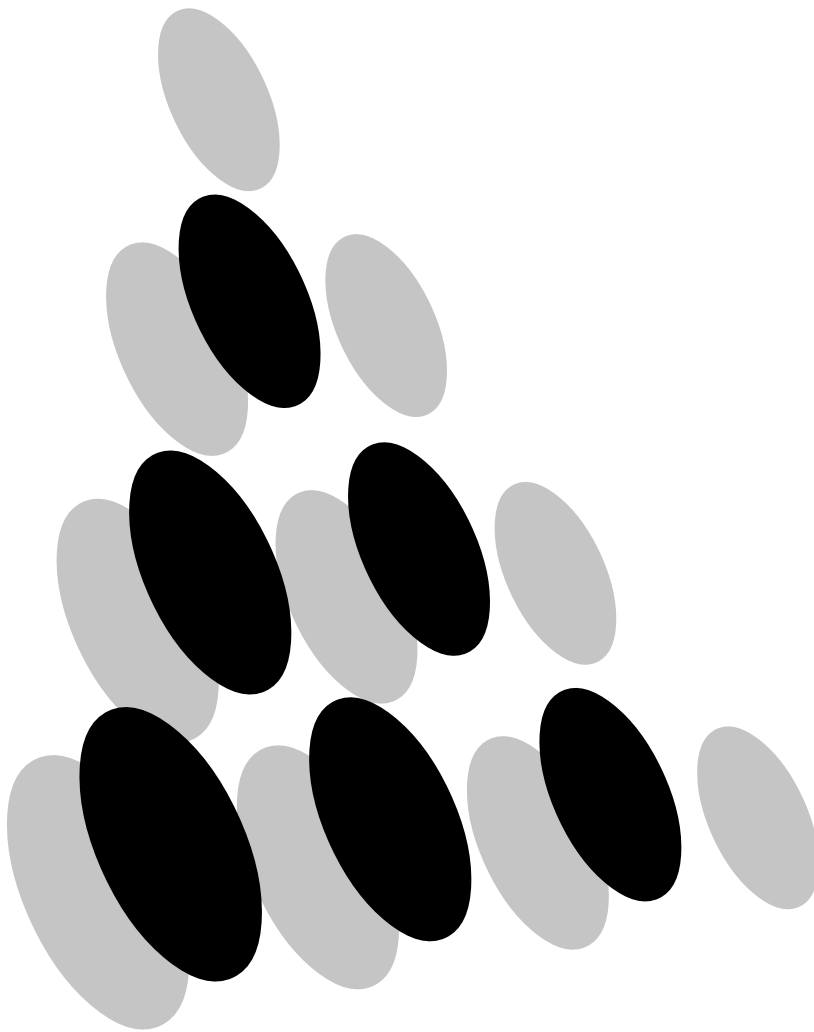
SERVIS

Console Drawer [FD-1000AT]

User's Manual

NC14004-B402/US

-B4xx




FCC WARNING:

Changes or modifications not expressly approved by the party responsible for compliance could void the user's authority to operate the equipment.

This equipment has been tested and found to comply with the limits for a Class A digital device, pursuant to Part 15 of the FCC Rules.

These limits are designed to provide reasonable protection against harmful interference when the equipment is operated in a commercial environment. This equipment generates, uses, and can radiate radio frequency energy and, if not installed and used in accordance with the instruction manual, may cause harmful interference to radio communications.

Operation of this equipment in a residential area is likely to cause harmful interference in which case the user will be required to correct the interference at his own expense.

 LAMP (S) INSIDE THIS PRODUCT
CONTAIN MERCURY AND MUST
BE RECYCLED OR DISPOSED OF
ACCORDING TO LOCAL, STATE, OR
FEDERAL LAWS.

Contents

1.	Preface	1
1.1	Conventions	1
1.2	Packing List	1
2.	Important Notices	3
2.1	Safety Information.....	3
	Precautions.....	3
2.2	Moving Console Drawer	4
2.3	Disposal	4
2.4	Safety Precautions and Limited Warranty Information.....	4
3.	Installation	6
3.1	Installing the Console Drawer	6
3.2	Installation Procedure.....	6
3.3	Installing the 4-port KVM Switch	9
4.	Connecting and Removing Cables	11
4.1	Connecting Cables	11
4.2	Removing Cables	11
4.3	Connecting to Multiple Servers.....	12
5.	Operation.....	13
5.1	Operating the Console Drawer.....	13
5.2	Monitor Adjustment.....	16
5.3	Basic Adjustment Procedure.....	17
5.4	Main Menu Items	18
5.5	Resolutions and Refresh Rates.....	19
5.6	Hot-key and Reset Buttons.....	20
5.7	Keyboard Operation.....	21
5.8	Pointing Device Operation.....	23
5.9	Using a 4-port KVM Switch.....	24
5.10	Stowing Console Drawer.....	24
5.11	Cleaning the Console Drawer.....	26
6.	Technical Specifications	27
7.	Troubleshooting.....	29
7.1	No Monitor Display.....	29
7.2	Inability to Adjust Monitor Display	30
7.3	Other Irregularities in Monitor Display.....	30
7.4	Others.....	31

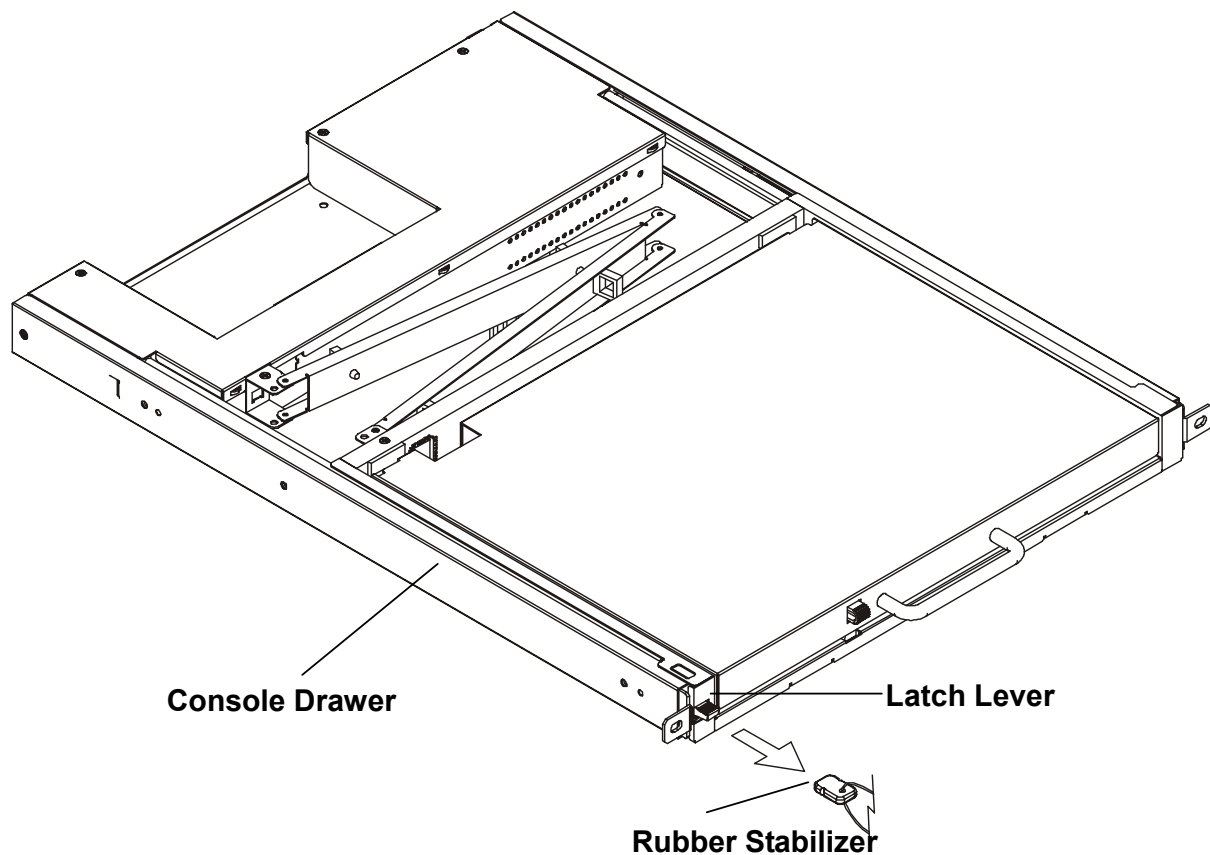


Please note the safety information in [Important Notices].

1. Unpack the Console Drawer and check that it has not been damaged in transit.
2. Remove the rubber stabilizer from the front left side of the Console Drawer.

Point

The rubber stabilizer is inserted to prevent the Console Drawer from sliding when installing or moving it. Be sure to keep it after finishing the installation for when it needs to be used again.



Rubber stabilizer removal

2. Important Notices

This chapter contains cautions that must be taken when operating the Console Drawer and information related to safety. Carefully read this chapter to use the Console Drawer correctly.

2.1 Safety Information



Precautions

This device conforms to the safety standard related to information processing equipment such as electronic office machines that are used in an office environment. In details of standards, please refer to the technical specifications described in this end of manual.

- To prevent extreme bumping, shaking, vibration while moving the Console Drawer, please use the original shipping container or a similar box, in addition make sure it fits well to the product for protection.
- During installation and before using the Console Drawer, carefully read [Installation] and the section about environmental conditions in [Technical Specifications] to use the Console Drawer correctly.
- Moving the Console Drawer from a cold environment to the installation location may cause condensation to occur. Before using the Console Drawer allow it to dry out completely and to reach the ambient temperature of the installation location.
- Make sure that the local power supply voltage is within the acceptable range of the Console Drawer. Make sure that the rated voltage meets the specifications of this device (Refer to [Technical Specifications] and the model plate on this device).
- The Console Drawer's power cable is specially certified. Do not connect it to anything other than a rack power outlet in order to avoid electric shocks and/or short circuits.
- Arrange the adequate area to have the plug quickly pulled out around the Console Drawer's power socket or the rack's power outlet
- Lay all the cables so that they will not be damaged. Refer to the relevant sections in [Installation] when connecting and removing cables.
- Do not connect or remove any cables during thunderstorms.
- Do not allow foreign substances (such as necklaces or paperclips) or liquids inside the Console Drawer.
- In an emergency (such as: damage to the housing, parts or cables; or liquid or a foreign object has fallen into the Console Drawer) remove the power cable as soon as possible and contact your place of purchase or an authorized maintenance person.
- Do not disassemble or modify the Console Drawer for any purpose, which may cause electric shocks, or fire and so on. Only licensed engineers may repair the Console Drawer.
- Avoid using the keyboard when in poor health or for extended periods of time.
- Do not pull up cable with a jerk. Be sure to hold connector when pulling up cable.
- Avoid operating the Console Drawer with wet hands.
- Do not plug or unplug connectors with wet hands.
- Do not place unnecessary items, such as cups, on the top of the Console Drawer.
- Do not modify or repair the Console Drawer.
- Only authorized personnel may disassemble, remove or switch parts (such as power supply units) that bear a warning mark (such as a lightning bolt mark).

-
- Only the resolutions and refresh rates specified in [Adjusting the Monitor] can be set. Doing settings other than those noted may damage the monitor.
 - To prevent interference it is necessary to adequately isolate the data cables connected to peripheral equipment.
 - To cut off the power supply, unplug the power cable from the rack power outlet.
 - Follow the instructions in the appropriate section in [Operation] when cleaning the server.
 - Keep this manual beside your Console Drawer at all times.
 - Do not use the Console Drawer as a stepladder or lean against it with it drawn out. Doing so may unbalance the rack, causing it to fall over.
 - Some limited life components (such as the LCD, etc.) are included in this product. In cases of extended continuous use, the performance of these components is easily decreased.
 - To avoid damage to this equipment or personal injury, return console drawer to its closed position when not in use.

2.2 Moving Console Drawer



When moving the Console Drawer to a different location, use the box in which it was purchased or a box that protects the product from bumping and shaking. Do not unpack the Console Drawer until the move has been completed.

2.3 Disposal



This device consists of metal, plastic, electronic parts and so on. Some electronic components, such as LCD monitor, include lead. When it is disposed of, follow exactly the relevant government regulations, instructions and so on.

2.4 Safety Precautions and Limited Warranty Information:

Fujitsu's Products are not designed for use in medical or life support appliances, devices, or systems where malfunction of a Product can reasonably be expected to result in a personal injury. The Product is designed, developed and manufactured as contemplated for general use, including, general office use, personal use, household use, and ordinary industrial use, but is not for use for high risks or dangers that could reasonably be expected to result in personal injury, or other loss including without limitation, nuclear application, aircraft flight control, air traffic control, mass transport control, medical life support system, or missile launch

control in weapon system (“High Safety Required Use”). You should not use this Product without securing sufficient safety required for such High Safety Required Use. Purchaser and its customers using or selling Products for use in such applications do so at their own risk and agree to fully indemnify Fujitsu for any damages resulting in such improper use or sale.

Fujitsu Component Limited or its affiliates (“Fujitsu”) warrants all Product against defects in materials and workmanship for a limited period not to exceed one (1) year from the date of delivery to Fujitsu authorized distributor or authorized system integrator (“Authorized Company”). Check with Fujitsu for such Authorized Company. Fujitsu’s liability under this warranty is limited, at Fujitsu’s sole discretion, to repairing, or replacing any component with new or like new components or parts, or replacing with a refurbished or alternative product, or issuing credit for the purchase price, if paid, for such Product that was defective at the time delivered to Purchaser, provided that Fujitsu will not be liable under this warranty unless: (i) Fujitsu is promptly notified in writing upon the discovery of defects by Purchaser; (ii) the defective unit is returned to Authorized Company, transportation charges prepaid by Purchaser; (iii) the defective unit is received for adjustment no later than one year following the date on which such Products were delivered by Fujitsu to Authorized Company; and (iv) Fujitsu’s examination of such units shall disclose, to its satisfaction, that such defects have not been caused by misuse, neglect, improper installation, repair, alteration, accident, improper storage or other action or inaction beyond reasonable practice for such Product. This warranty shall be administered and returned to the party from whom Purchaser purchased Product which is an Authorized Company.

THE WARRANTY SET FORTH IN THIS SECTION IS IN LIEU OF, AND EXCLUDES, AND EACH PARTY HEREBY WAIVES, ANY OTHER REPRESENTATIONS, GUARANTEES AND WARRANTIES, EXPRESS, IMPLIED OR STATUTORY, INCLUDING, WITHOUT LIMITATION, ANY WARRANTY OF MERCHANTABILITY, OR FITNESS FOR A PARTICULAR PURPOSE. IN NO EVENT SHALL FUJITSU BE LIABLE TO PURCHASER FOR LOSS OF PROFITS, LOSS OF USE, COST OF SUBSTITUTE GOODS, OR CONSEQUENTIAL OR INCIDENTAL DAMAGES OF ANY KIND BASED UPON A CLAIM FOR BREACH OF WARRANTY OR OTHERWISE. FUJITSU'S WARRANTIES SHALL NOT BE ENLARGED, DIMINISHED, OR AFFECTED BY, AND NO OBLIGATION OR LIABILITY SHALL ARISE OR GROW OUT OF, SELLER'S RENDERING OF TECHNICAL ADVICE OR SERVICE IN CONNECTION WITH BUYER'S ORDER OR THE PRODUCTS FURNISHED HEREUNDER.

3. Installation



Please note the safety information, #2.1 in [Important Notices].

3.1 Installing the Console Drawer

(procedure for tapped guide rails)



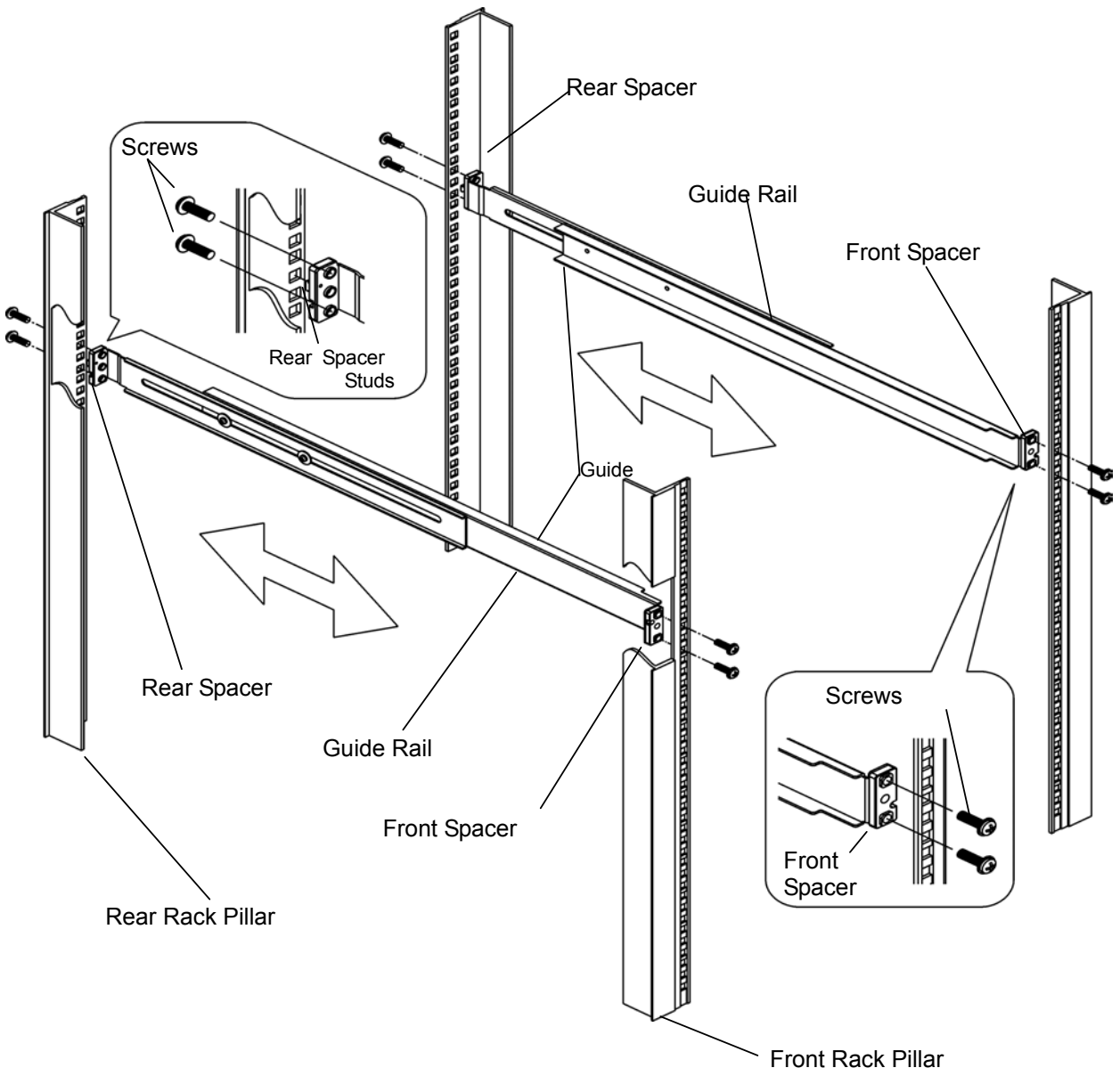
Observe the specified environmental conditions when using the Console Drawer (See [Technical Specifications] for more information). Avoid dust, humidity and extreme temperatures. Installation requires at least 2 two people. Be careful not to pinch your fingers or hands between the guide rails and the Console Drawer.

3.2 Installation Procedure

1. Insert the rear spacer studs of the guide rails into the holes in the rear rack pillars. Fasten each guide rail with two screws inserted from the outside of the pillar, one into each of the top and bottom holes of the rear spacer.
 2. Extend the guide rails to reach the inside of the front rack pillar. Fasten each guide rail in place with two screws, one into each of the top and bottom holes of the front spacer. (Attach the guide rails inside the front/rear rack pillar so that the guides face inwards.)
 3. Install the left and right guide rails at the same height.
-

Point

Attach the guide rails so that they face inward and are open forward, ready to accept the Console Drawer.
Attach the guide rails inside the front/rear rack pillar.
See the "Installing the Guide Rails" diagram on page 6.



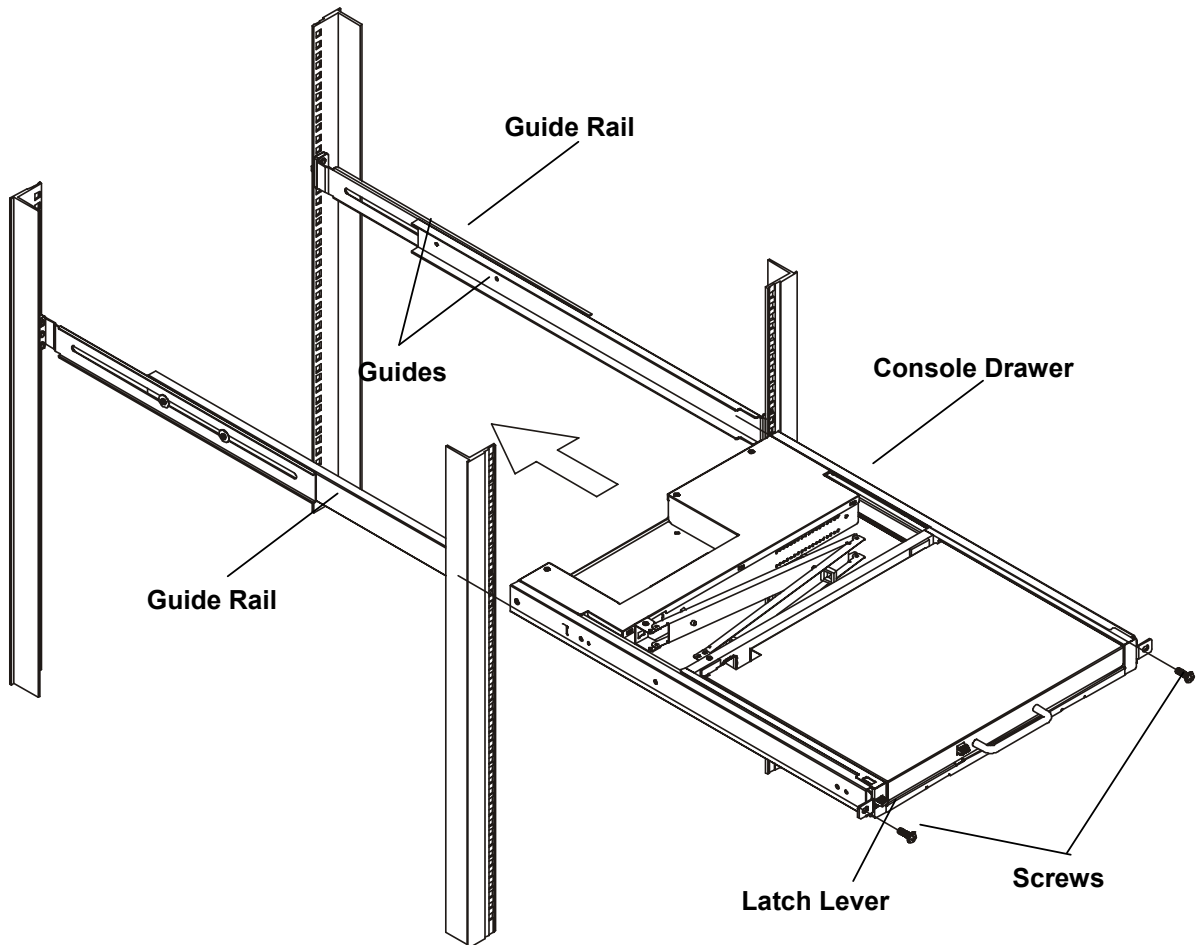
Installing the Guide Rails

2. Slide the Console Drawer into the front end of the guide rails.

Point

Be careful that the latch lever does not come loose. If the latch lever comes loose the Console Drawer may slip. This Console Drawer to be held with two people at least.

3. Push the Console Drawer in until it stops, then fasten each screw-hole of the front of Console Drawer by 2 screws.



Installing the Console Drawer

3.3 Installing the 4-port KVM Switch

If you don't have a 4-port KVM Switch, please skip this section and go to the section for [Connecting and Removing the Cables].

Refer to [Connecting to Ports] for the connection in general. In details, refer to the original manual for the 4-port KVM switch.



To avoid electric shocks and/or short circuits, make sure that the power cable of this device is not plugged into the power outlets.

Since this device may cause injury if it falls or tips over, be sure to work on a stable surface, such as on desk, table and so on.

This device contains components that store and release high voltage electric charges. Make sure to work only after checking that it has been electrically discharged.

Be careful not to cut yourself by sharp metal edges.

To avoid damage, be careful of any objects falling (including metal objects, water, and liquids) into this device. Do not touch unnecessary place.

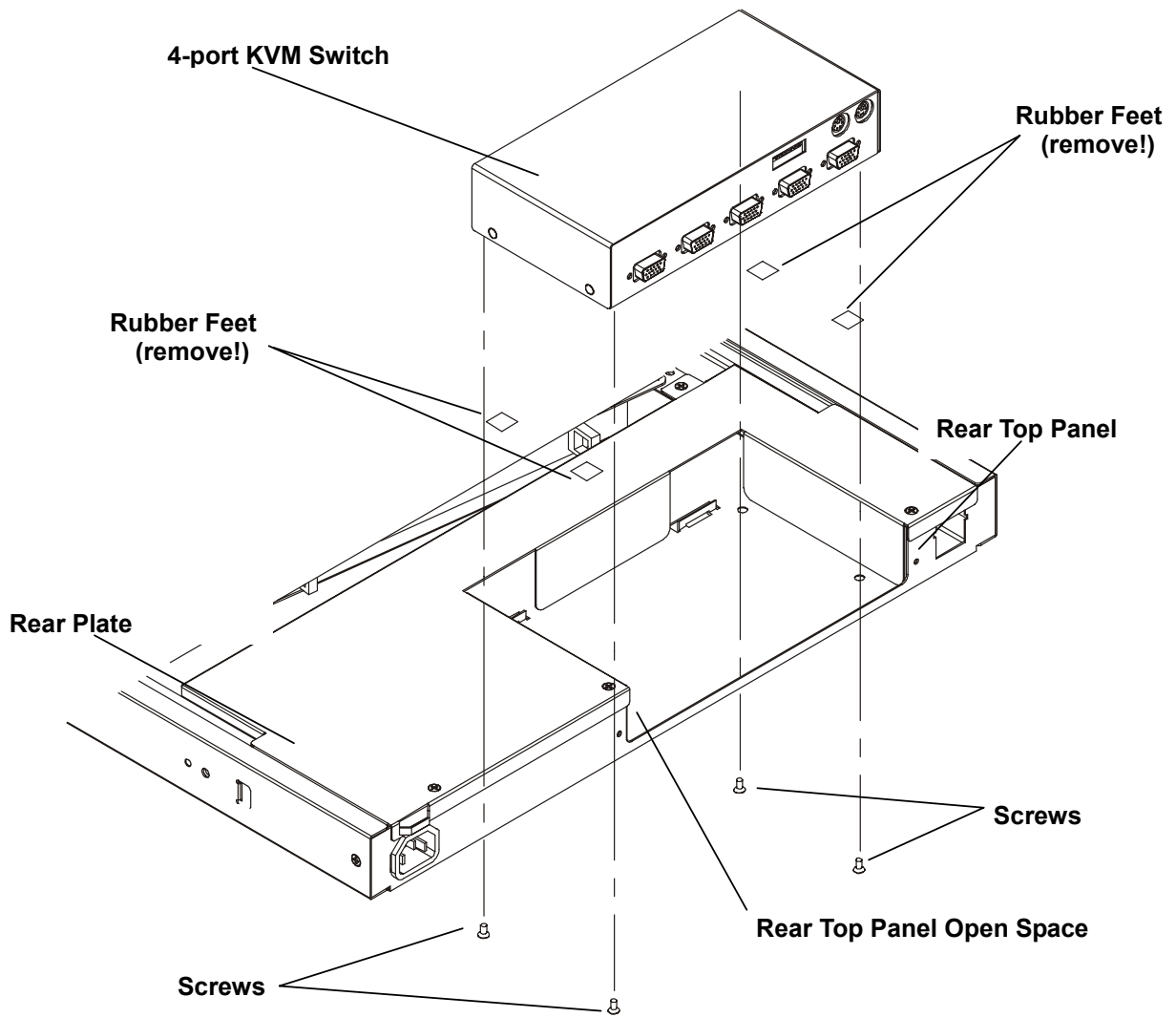
To install 4 port KVM switch, refer to the manual of 4port KVM switch. Prepare screwdrivers (large and small) in advance.

Point

It is strongly recommended to install the 4-port KVM after removal of the Console Drawer from the rack.

When removing Console Drawer, see [Installing the Console Drawer]. It requires the procedure in reverse order.

1. Take out four screws packed in nylon bag, which is taped on the open space area of the rear top panel.
2. Make sure the rubber feet on the bottom of the 4-port KVM switch are removed .
3. Insert the 4-port KVM switch into the open space area of the rear top panel, making sure that the 4-port KVM switch's connectors face out from the rear of the Console Drawer.
4. Fasten the 4-port KVM switch in place with the four screws, taken in step 1, over the rear top panel metal.



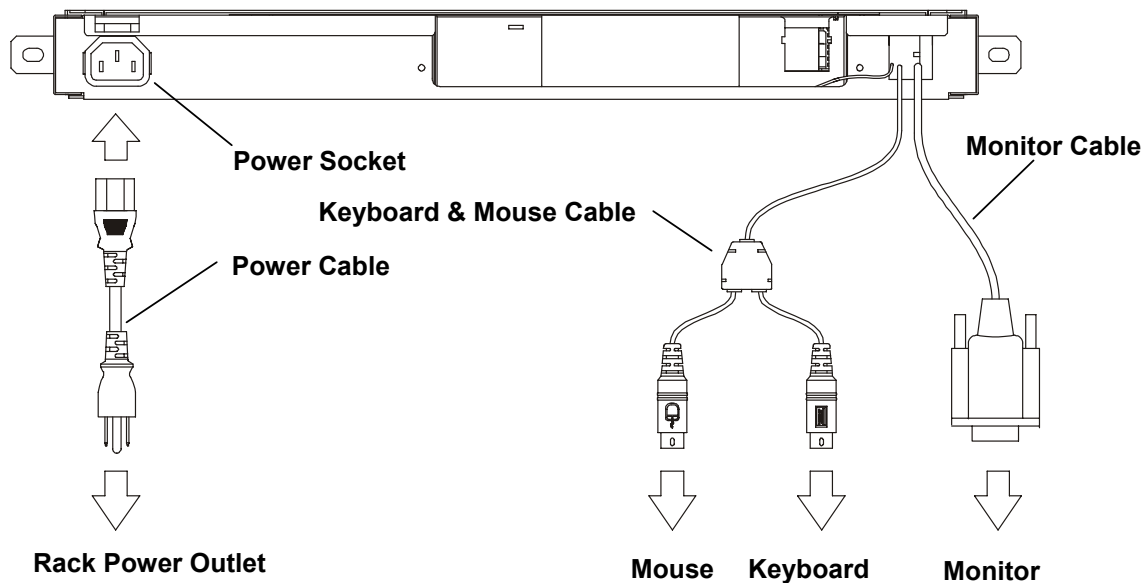
Note) Make sure rubber feet to be removed in advance.

Installing the 4-port KVM Switch

4. Connecting and Removing Cables

4.1 Connecting Cables

1. Unplug all power cables, connected to related devices, from the power outlets.
2. Connect keyboard cable, mouse cable, and monitor cable from the Console Drawer, accordingly.
3. Plug the AC power cable into the Console Drawer power socket.
4. Plug all the power cables into the power outlets.



Connecting the cables to the Console Drawer

4.2 Removing Cables

Unplug power cables, connected to all the related devices, from the power outlets, and then remove each cable.

4.3 Connecting to Multiple Servers

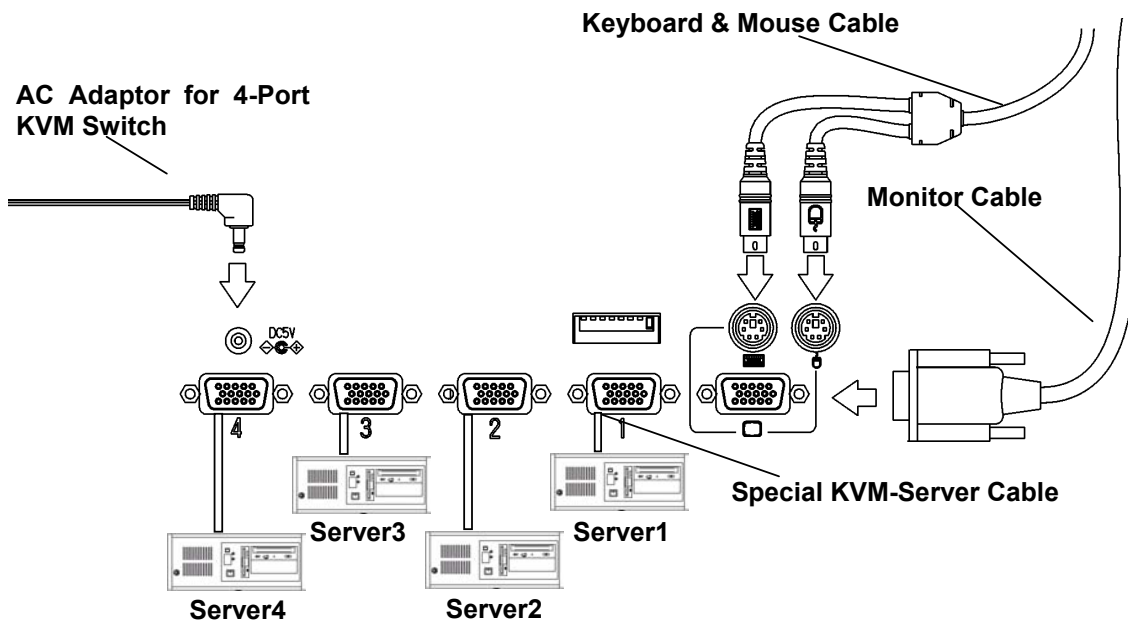
(When 4-port KVM Switch is installed in the back of the Console Drawer.)



See cautions given in [Connecting and Removing the Cables] when connecting and disconnecting ports. Also, cut the power of any affected equipment before you start working on it. Refer to the 4-port KVM Switch user's manual as well as this manual for more details.

You can connect servers in accordance with the 4-port KVM specification.

1. Connect each cable for keyboard, mouse and monitor from the Console Drawer, to the console port of 4-port KVM switch.
2. Use option cables to connect each server's keyboard, mouse and monitor port (VGA), accordingly, subject to the available configuration of the 4-port KVM Switch and each server port. In details, please refer to the 4-port KVM Switch manual.



Connecting the cables to a 4-port KVM Switch

5. Operation



Pull the Console Drawer outward slowly until the slide rails lock. If they do not lock, the weight of the Console Drawer or any person leaning on the Console Drawer may cause it to move suddenly, and it may cause injury or damage to the product.

Be careful not to pinch your fingers when pulling or pushing the slide module or opening and closing the LCD, etc.



Do not apply any significant force while the Console Drawer is pulled out, or while the Console Drawer is used, as there is a risk that the Console Drawer may be forced from the guide rails, damage the guide rails, or the rack may topple over, and cause personal injury or damage to the systems.

Do not apply force to the monitor screen, and not scratch it with any objects, or not bring magnetic objects near the Console Drawer. They can cause failure or damage to these products.



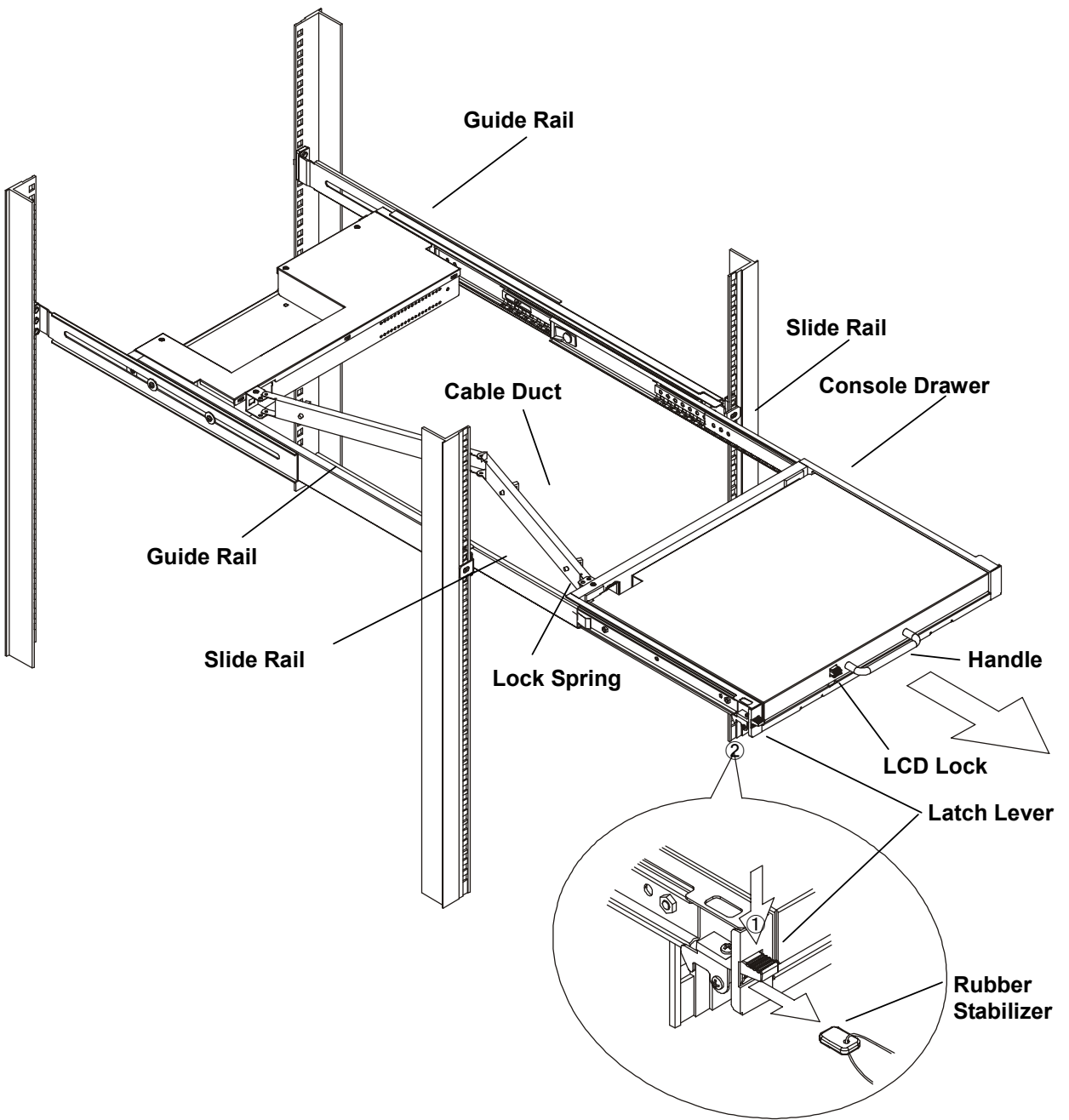
Be careful of whatever operations are done close to the Console Drawer, while the Console Drawer is pulled out, because it is easy to be injured by hitting the Console Drawer accidentally. It is strongly recommended that the Console Drawer be put inside the Rack whenever it is not in use.

5.1 Operating the Console Drawer

1. Remove the rubber stabilizer when it is not already removed.
2. Push down the latch lever in left side of front end of the Console Drawer, and pull out the Console Drawer by the handle until the slide lock clicks into place.



Make sure that the two screws on the front of the Console Drawer are tightly fixed to the rack before pulling it out

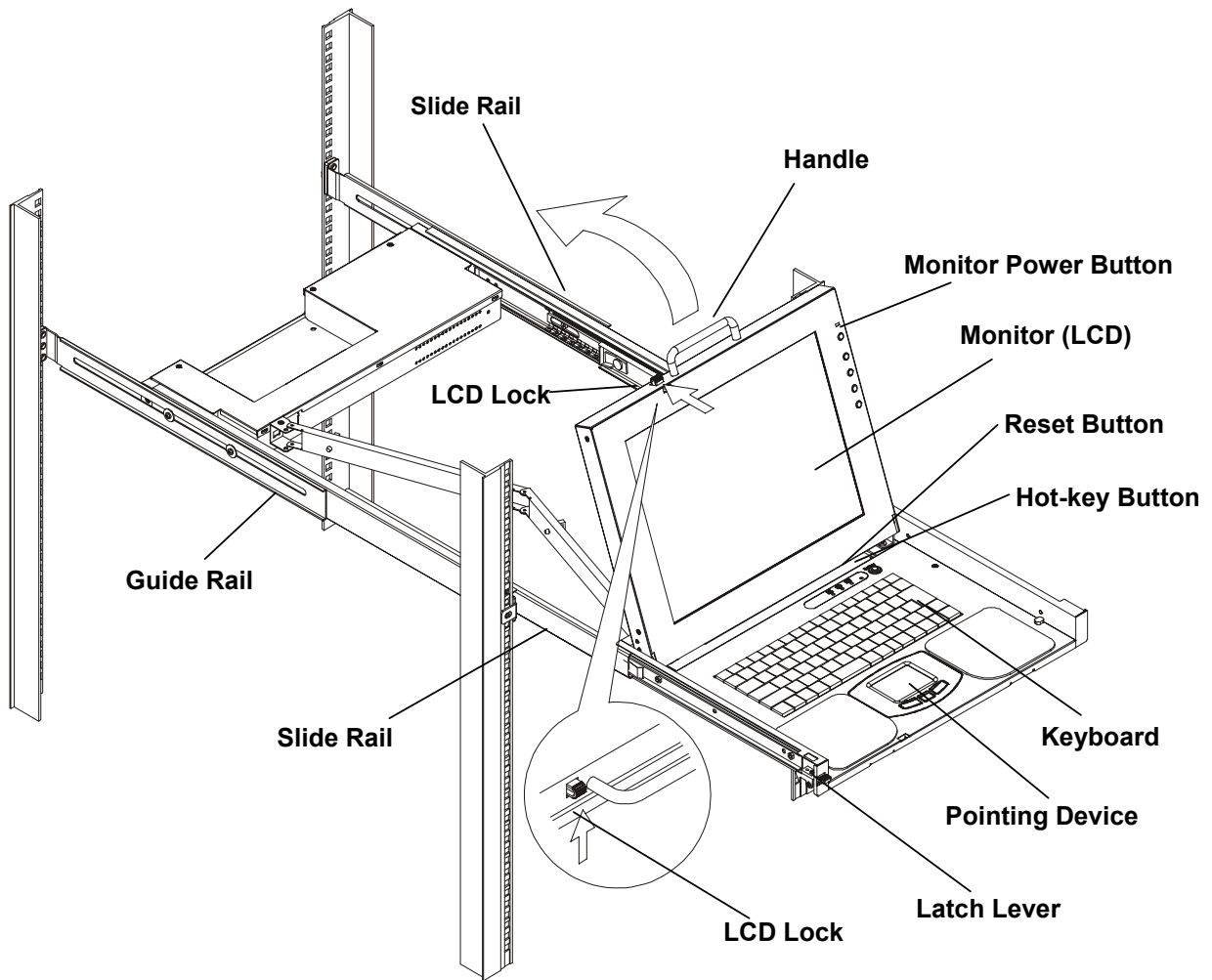


Pulling out the slide module

-
3. Push up LCD lock on the left side of the handle, and then grasp the handle and open the Monitor (LCD) by pulling up.
 4. Turn on the power by pressing the Monitor Power Button.
-

Point

Open the LCD completely.



Opening the LCD


5.2 Monitor Adjustment


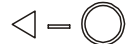
There are one LED and five Buttons at the upper right area of Monitor surface.

 — Power Indicator (LED)

 — Monitor Power Button

 — MENU/ENTER Button

 — + Button


 — - Button

 — AUTO/EXIT Button

Power Indicator: It glows green while the power of the monitor is turned on, and glows orange while the monitor is in energy-saving mode. It is off when the backlight power is off.

Monitor Power Button: Press this button to turn on the monitor power. When pressing this button while power is turned on, the monitor is turned off.

MENU/ENTER Button: Press this button to indicate menu, select or enter the value and so on.

▶ + Button: Press this to choose right-side item or increase value.

◀ - Button: Press this to choose left-side item or decrease value.

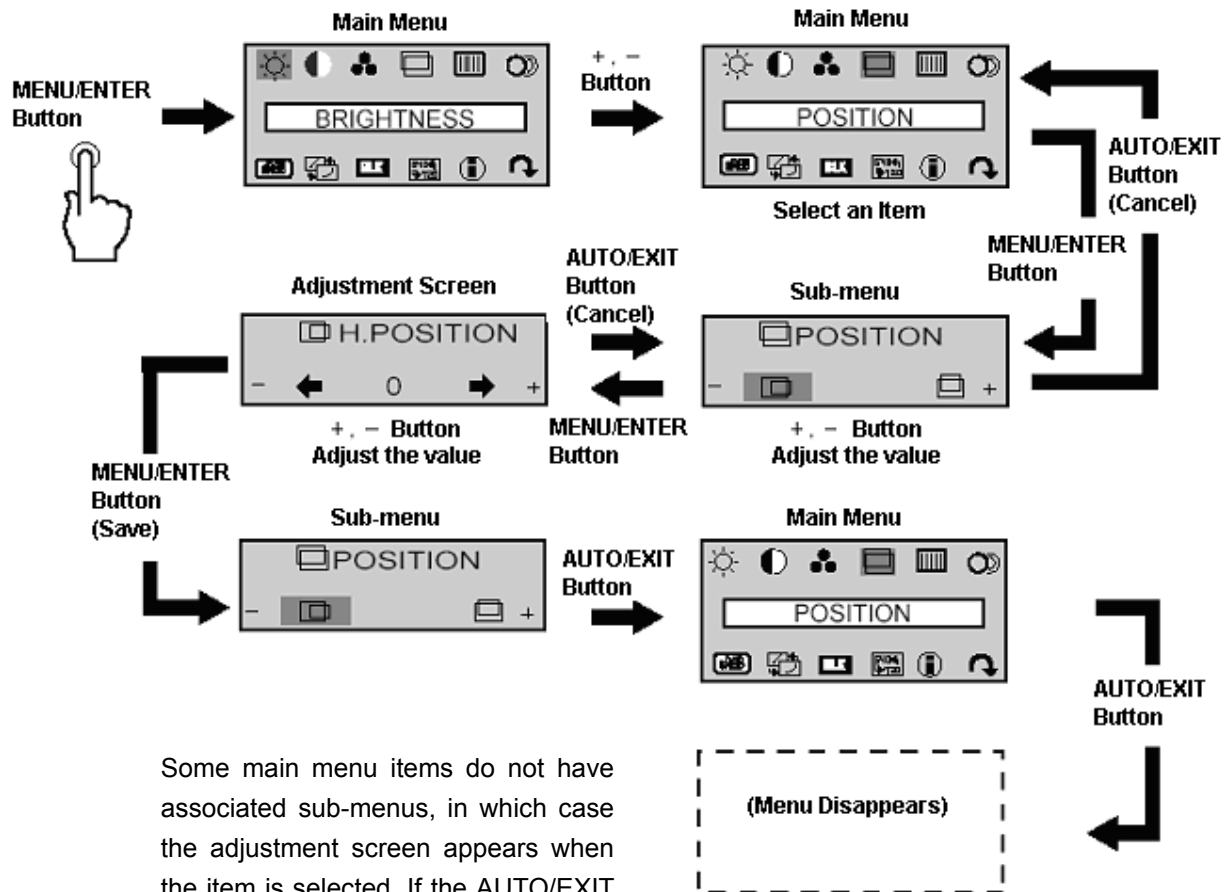
AUTO/EXIT Button: Press this to close the menu, cancel the adjustment items or settings, or set to automatic setting.

Point

It is possible to directly adjust screen brightness by pressing the ▶ + button or ◀ - button when the menu is not displayed.
It is possible to perform automatic adjustment (position and focus) by pressing the AUTO/EXIT button when the menu is not displayed.

5.3 Basic Adjustment Procedure

The basic adjustment procedure is as follows:







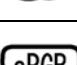

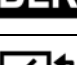
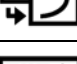




Some main menu items do not have associated sub-menus, in which case the adjustment screen appears when the item is selected. If the AUTO/EXIT button is pressed at this phase, the screen returns to the main menu without saving the setting values and any adjustment made to settings will not be saved.

The only exception is adjustment of the brightness; any adjustment is always stored by depressing

▶ + - ◀ buttons directly, without entering the menu.

5.4 Main Menu Items

Symbol	Descriptions	Features
	BRIGHTNESS	It adjusts the screen brightness.
	CONTRAST	It adjusts the screen contrast.
	COLOR	It adjusts the screen color. Fixed values or individual color tones (red, green, blue) can be set.
	POSITION	It adjusts the display position (horizontal and vertical).
	CLOCK	It adjusts vertical striping (noise).
	FOCUS	It adjusts horizontal noise and sharpens up blurred on-screen lettering.
	sRGB	It sets the sRGB functions on/off.
	BLACK LEVEL	It adjusts black color offset level.
	GRADATION	It adjusts the gradation of the color.
	TEXT MODE	It sets the DOS screen resolution. Be sure to set 720 x 400 when using DOS.
	INFORMATION	It shows the current major setting value, such as the screen resolution, vertical frequency, etc. (not all settings are shown)
	RECALL	Restore factory default values. <ul style="list-style-type: none"> ● SETTINGS Reset to factory default values. ● GEOMETRY Reset the default value for the screen resolution, POSITION, CLOCK, and FOCUS. ● COLOR Reset the default value for the BRIGHTNESS, CONTRAST, BLACK LEVEL, and COLOR .

5.5 Resolutions and Refresh Rates

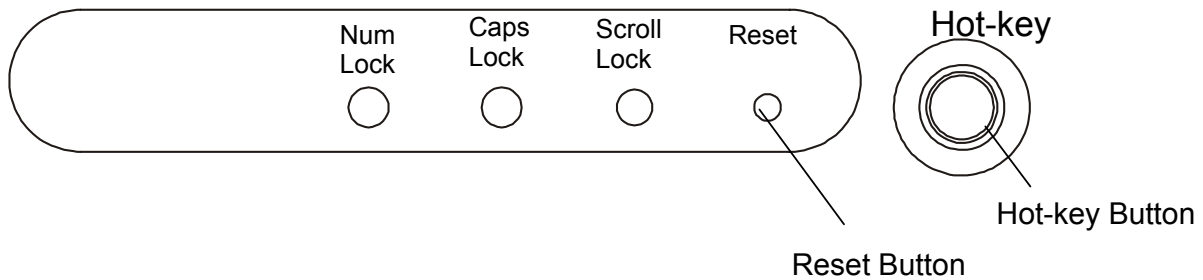
Resolution	Horizontal frequency (kHz)	Vertical frequency (Hz)	Mode
640 x 400	31.5	70	VGA 400 LINE
640 x 480	31.5	60	VGA Standard VESA
	37.5	75	
	37.9	72	
720 x 400	31.5	70	
800 x 600	35.2	56	
	37.9	60	
	46.9	75	
	48.1	72	
1024 x 768	48.4	60	
	56.5	70	
	60.0	75	

Caution: LCD display

Following cases are not considered as a failure mode, and the device can be used normally:

- During or soon after power-on, O/S boot-up, power-off , or O/S shut-down, the display position may shift, blink, or otherwise be disturbed.
- Any native resolution can be displayed in 1024 x 768, full screen mode, by scaling function. In this case, letters may be blurred and the thickness of thin lines might be uneven. This is because the full-screen display is made by digital interpolation of the low-res output, not by physical magnification. This is not a display failure, and the device can be used normally.
- Although there might be some dots or pixels that are always-off (black) or always-on (red, green or blue), this is a natural characteristic of LCDs and is within specification (it is not a defect), and you can use the device normally.

5.6 Hot-key and Reset Buttons



Hot-key Button

Output Make/Break code of the [Ctrl] + [Alt] + [Shift] key.

This will also switch to the Hot-key mode if the 4-port KVM switch is installed.

Reset Button

Resets keyboard and pointing device.

Also resets 4-port KVM switch if the 4-port KVM is installed. However, it will not effect the reset for any secondary (slave) 4-port KVM switches.

5.7 Keyboard Operation

Combination use with the <Fn> key provides similar operation to full size keyboard operation.

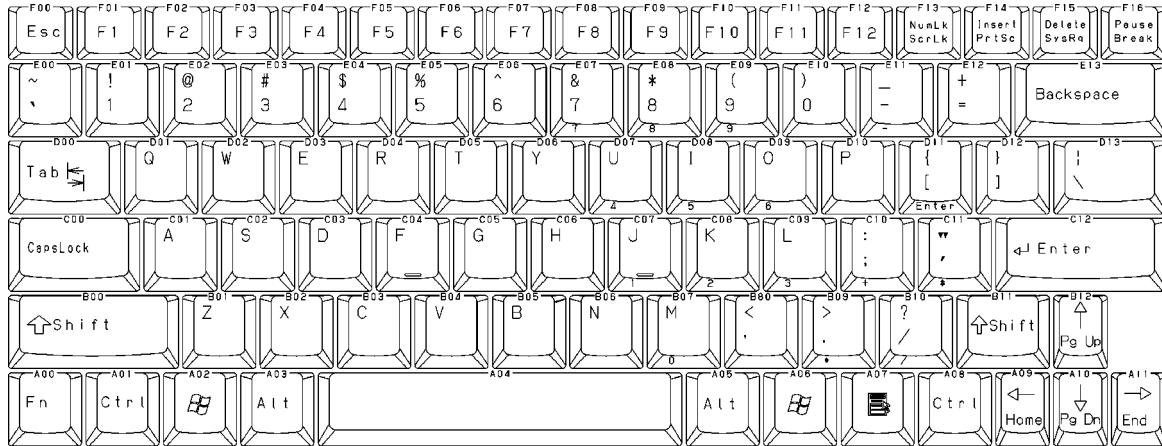


Fig US Keyboard

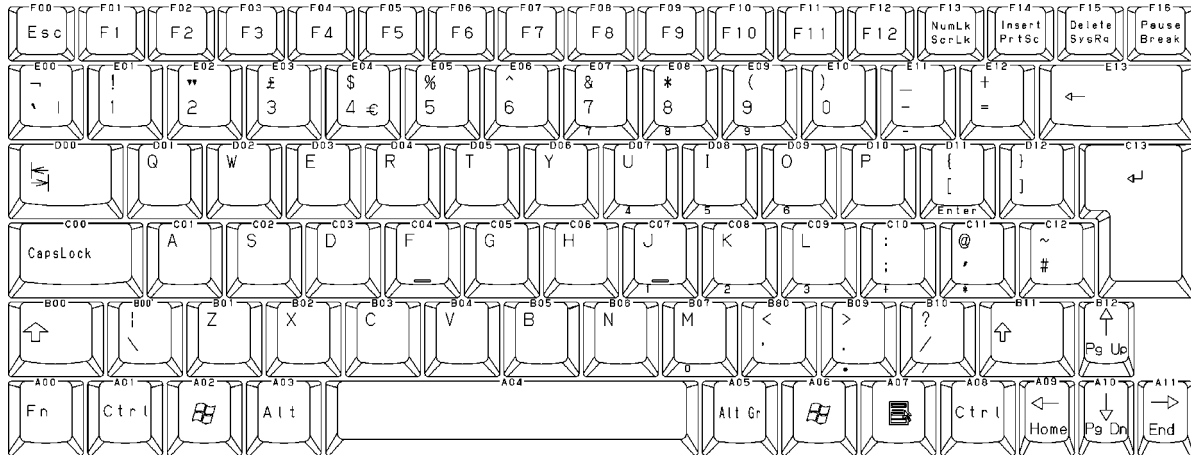


Fig EU layout (ex: UK Keyboard)

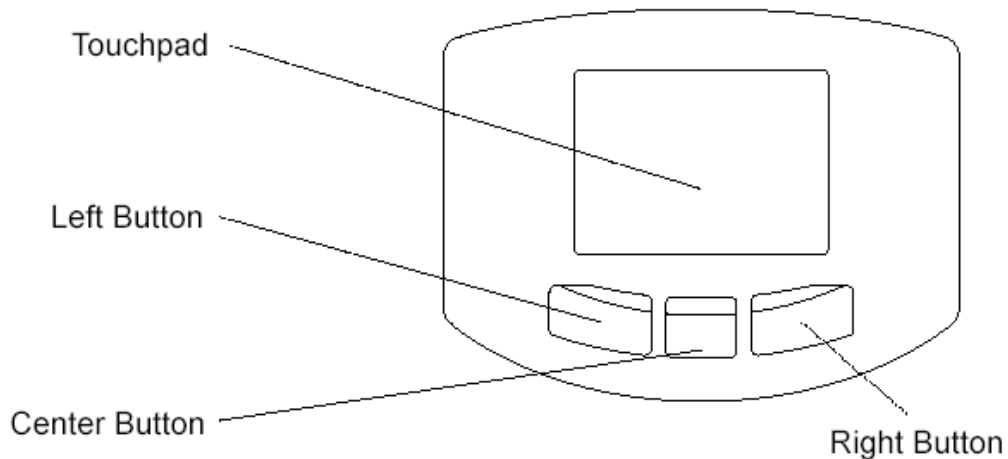
5.8 Pointing Device Operation

Lightly touch or tap the touchpad surface to operate the pointing device as below:

Moving the pointer: Lightly slide a finger over the touchpad surface in the direction you want the cursor to move.

Single click: Lightly tap the touchpad surface once, or press the left button once.

Double click: Lightly tap the touchpad surface twice, or press the left button twice.



1. The pointing device is designed to be operated with one finger, and may not respond correctly if you try to operate it:
 - 1) while wearing gloves;
 - 2) with a pen, ballpoint pen or pencil etc;
 - 3) with two or more fingers;
 - 4) Operating while something is placed on the operation surface.
 2. Normal operation may become impossible if the operation surface gets wet such as when there is high humidity or the Operator's hands are damp or sweaty. Thoroughly dry or wipe the operation surface before use.
 3. Do not operate with pointed metal objects such as pens as it may damage the pointing device.
-

5.9 Using a 4-port KVM Switch

The Console Drawer display parameters are the same regardless of video source, so the image position may shift around due to the different video settings in various servers.

Generally, the resolution and refresh rate (vertical frequency) are the same for many servers, therefore one set of parameters, which support those server CRT controllers, are stored in the Console Drawer screen. If you change the Console Drawer display parameters to match the video output of one server, the video from all or some of the other servers may be negatively effected.

To correct for multiple display issues, try the following:

1. Change the refresh rate of servers that do not display correctly to a different value.
2. Select the best compromise screen display and save the values.

As multiple refresh rates for each resolution can usually be set, you can use various combinations for each of the servers to achieve optimum results.

5.10 Stowing Console Drawer

The Console Drawer should be stowed away in the rack when the monitor and keyboard are not in use.

Point

Slide the Console Drawer in and out of the rack slowly and with care.

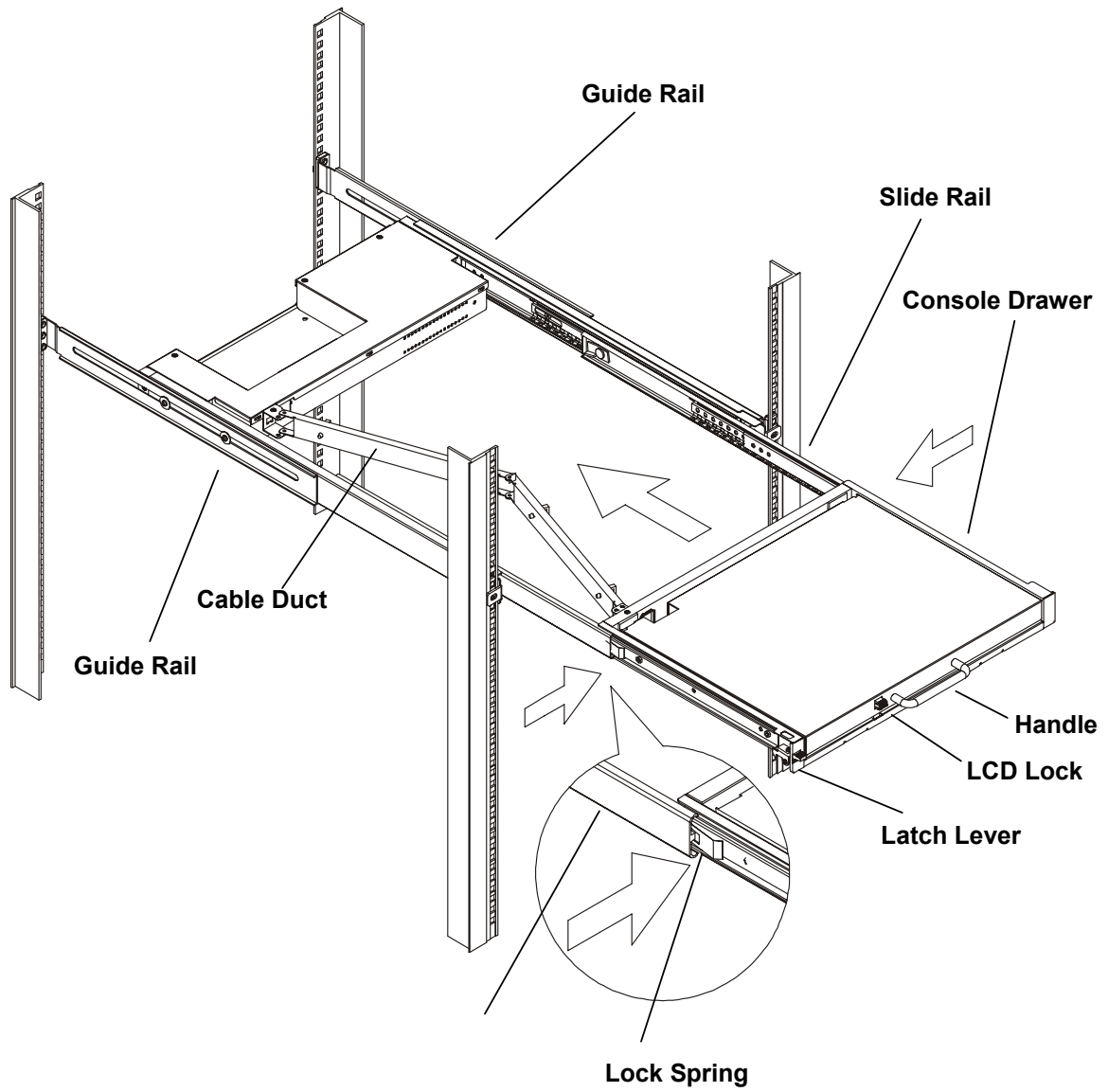
-
1. Push the monitor power button to turn off the power to the monitor.
 2. Hold the handle and slowly close the monitor. Be sure that the LCD lock engages.
 3. Push the locking springs on both sides of the slide rail and slide the Console Drawer into the rack. Be sure the latch lever engages.



Be careful not to pinch your fingers in the guide rails, slide rails, or the Console Drawer itself when stowing the Console Drawer. If the latch lever does not lock, the Console Drawer can unexpectedly slide out.

Point

To conserve electricity and maximize backlight life, turn off the backlight or stow the Console Drawer in the rack when the monitor is not in use. When the Console Drawer is closed the backlight will turn off automatically.



Stowing the Console Drawer

5.11 Cleaning the Console Drawer



Turn off the power and unplug the power cable from the power socket. Do not use cleansers that contain abrasives, or organic solvents such as benzene or thinner, or alcohol. Do not apply water, detergent, or spray-type cleaners directly onto the Console Drawer. If liquids enter the interior of the Console Drawer it can cause malfunctions or damage.

Wipe the Console Drawer and monitor with a clean dry soft cloth. If the dirt is excessive, wipe it off with a damp-dry soft cloth that has been (thoroughly wrung out after dipping in water).

Remove dust with a soft-bristle brush.

Clean the keyboard and pointing device with a damp-dry cloth.

6. Technical Specifications

Model:	FD-1000AT series
• Power Specifications	
Rated voltage range:	100V AC – 240VAC
Frequency:	50/60Hz
Rated current:	0.55A/100V, 0.3A/240V
• Size	
Main part:	(W) x (D) x (H)
(1) Slide rail retracted	485 mm x 630 mm x 42.0 mm
(2) Slide rail extended	485 mm x 1110 mm x 42.0 mm
(3) (2) plus the LCD is fully open	485 mm x 1080 mm x 345 mm
• Weight:	
	12 Kg
• Required Environmental Conditions	
Operating Temperature:	0 to 40 °C (Water condensation must not occur.)
Storage Temperature:	-20 to 60 °C (Non Operation)
• Monitor	
Panel monitor:	15" TFT color LCD
Resolution:	Max. horizontal 1024 (dots) x vertical 768 (lines)
Pitch:	0.297 x 0.297mm
Refresh rate:	Max. 75Hz
Video Signal	Analog RGB / Separate Sync.
Colors: Max.	16,777,216 (dithered)
Brightness:	250 cd/m ² (Typ)
Connector:	mini D-SUB 15-pin (analog RGB)
Power consumption:	Max. 34 W In standby mode: 3.0 W or less When backlight is OFF: 14.0 W or less

- Keyboard

Layout: US layout / EU layout / Japanese layout
Number of keys: 83 / 84 / 87
Connector: mini DIN 6-pin (PS/2)

- Pointing Device

Model: Static Touch Pad
Resolution: 220 cpi (counts/inch)
Connector: mini DIN 6-pin (PS/2)

- Button

Number of buttons: 3

- Standards

cUL, TUV/GS, FCC A, CE, VCCI A, MIC,
BSMI, C-Tick

UL (cULus): 60950

TUV/GS: EN60950: 2000

FCC part15B

CLASS A

Canada ICES-003

CLASS A

CE: EN55022:1998

CLASS A

CISPR22:1997

CLASS A

EN55024:1998,A1:2001

EN61000-3-2:2000

EN61000-3-3:1995/A1:2001

VCCI

CLASS A

MIC

CLASS A

BSMI: CNS13438

C-Tick: AS/NZS 3548:1995, A1:1997,A2:1997 CLASS A

CISPR22:1993, A1:1995, A2:1996 CLASS A

7. Troubleshooting

7.1 No Monitor Display:

Symptom	Predicted cause	Solution
LED light for "Power Indicator" is turned off.	The AC cable is not connected to the electric outlet, or to the switch device, or not inserted into the socket properly.	Connect the AC cable properly.
	The AC power is off.	Turn on the AC power.
	POWER button was turned off. Power lamp (green) is out.	Turn POWER button ON.
	No image signal from server. (Suspended state)	Input image signal from server.
Power Indicator glows orange. Or display shows message of "POWER SAVING" when pressing the "MENU/ENTER" button.	The server is in the stand-by mode.	Press any key in keyboard or operate the touchpad, which makes the server unlock the stand-by mode.
	The monitor cable is not connected, or not inserted into the socket properly.	Connect the monitor cable properly.
Although the Power Indicator glows, the Monitor does not display at all, or the Monitor only displays one of the following messages. "OUT OF RANGE H: ***kHz V: ***kHz, SEE USER'S MANUAL," or "NO SYNC SIGNAL, SEE USER'S MANUAL"	The setting value for resolution and refresh rate in server is out of this product capability.	Set the proper resolution and refresh rate in the server, which can be supported by this product.
	The AC power for this product was turned on after the power for the server was turned on	Turn on the AC power for this product, before or at the same time when the power for server is turned on.
	The monitor cable is not connected, or not inserted into the socket properly.	Connect the monitor cable properly.
	The video signal from server is not sent as separate sync signal.	This product does not support the composite sync signal, and need to change the server setting for video signal as separate sync signal.

7.2 Inability to Adjust Monitor Display:

Symptom	Predicted cause	Solution
AUTO/EXIT button does not work for automatic setting/adjustment. Instead, following message is displayed in monitor. “AUTO ADJUSTMENT FAILED, SEE USER’S MANUAL”.	Automatic adjustment was made, when the monitor displayed in the extremely dark mode.	Make the automatic adjustment by pressing the AUTO/EXIT button after changing the display as white as possible.
Following message is displayed. “UNSUPPORTED MODE, SEE USER’S MANUAL”	The setting value for resolution and refresh rate in server is out of this product capability.	Confirm the existing resolution and refresh rate for monitor display through the information of display MENU. Then, set the resolution and refresh rate in the server, which are same value as the confirmation made above.

7.3 Other Irregularities in Monitor Display:

Symptom	Predicted cause	Resolution
Dancing pixel	The FOCUS setting is not proper.	Adjust setting in FOCUS.
Vertical stripe on monitor.	Monitor setting is not proper.	Adjust setting in CLOCK, and then adjust setting in FOCUS.
Display some noise in black display mode.	Video signal from server produces the noise.	Decrease the value of black color offset level for OSD function in BLACK LEVEL.
Window for display shifts, displays over window, displays much small than the window.	Display positioning is not adjusted properly.	Adjust display position properly in POSITION, after adjustment value in CLOCK.
	The setting value for resolution in server is out of this product capability.	Set the proper resolution in the server, which can be supported by this product.
Monitor turn off occasionally.	AC cable is not inserted into the socket properly.	Confirm and connect the AC cable properly.

Uneven thickness of letters, subject to the position displayed in monitor	The setting in FOCUS and CLOCK is not proper.	Adjust setting in CLOCK, then adjust the setting in FOCUS.
	Displayed in lower resolution less than 1024 x 768.	Full-screen display is made by digital interpolation of the low-res output, not by physical magnification. So, letters may be blurred and the thickness of thin lines might be uneven by this scaling function. This is not a display failure, and the device can be used normally. Set resolution as 1024 x 768 in "property of monitor" in server, for displaying in best mode.
Poor screen quality (Faded images, blurred characters, etc.)	Connection cable is defective.	Confirm the connection, or change the cable.
	Adjustment of monitor does not give suitable results.	Push Auto switch.

7.4 Others:

Symptom	Predicted cause	Solution
Keyboard and mouse do not operate, or operate strangely.	The key repeat is abnormal.	Change the speed setting for the key repeat on the server.
	Connections to PS/2 ports are disconnected.	Check the connection and connect the mouse and keyboard properly.
	Connection to PS/2 ports is in reverse with the keyboard and the mouse.	Correctly connect mouse and keyboard.
	Cannot get out of Hot Key Mode.	Press the [Enter] or [ESC] key.
Operation stops after a period of normal operation.	Connection has been disrupted.	Check the connections and then restart.
	A problem has occurred at the server.	Correct the problem at the server.

Note

Console Drawer (FD-1000AT)

User's Manual

Published Oct 2004
Published by FUJITSU COMPONENT LIMITED

Printed in Japan

All trademarks or registered trademarks are the property of their respective owners. The information contained in this document has been carefully checked and is believed to be reliable. However, FUJITSU COMPONENT LIMITED (FCL) or its affiliates assume no responsibility for inaccuracies. The information contained in this document does not convey any license under the copyrights, patent rights or trademarks claimed and owned by FCL or its affiliates. FCL or its affiliates bear no responsibility for infringement of patent or other rights of third parties attributed to the use of information in this manual. FCL or its affiliates reserve the right to change products or specifications without notice. No part of this publication may be copied or reproduced in any form or by any means, or transferred to any third party without the prior written consent of FCL.

NC14004-L539_01 041022

This manual is made with recycled paper.