

MB86H01

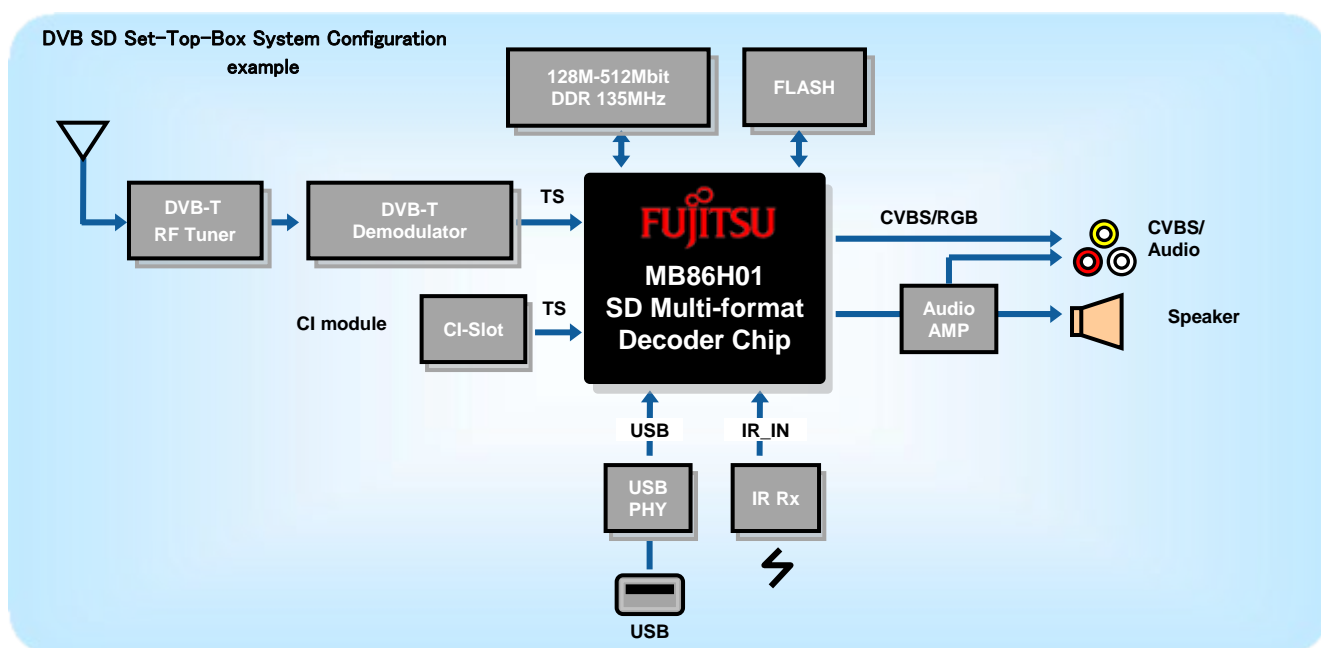
SD Multi-Standard Decoder for Set-Top-Box and iDTV

■ Introduction

The MB86H01 is an advanced set-top-box decoder designed to meet the needs of tomorrow's set-top-box market. This LSI supports the Digital Broadcasting (DVB) standard adopted in many countries in Europe, Asia and others, with the advanced features to support multi-standard decoding of a H.264 and two MPEG-2 decoders integrated into a single chip. This LSI has a 202.5MHz ARC Tangent-A4 CPU inside as well as video/audio decoder function, and other functions needed to receive digital broadcasts.

This LSI is suitable for various applications such as SD set-top-box or iDTV for H.264 broadcasting regions, PVR applications with two MPEG-2 decoders.

The MB86H01 comes with the Fujitsu Driver Application Programming Interface (FAPI) to help customers achieve the shortest possible development cycle. FAPI is a complete driver set allowing fast and efficient customer software design



■ Features

● MPEG-2 dual decoders and H.264 decoder

Fujitsu's new multi-standard decoders include the necessary functionality for TVs and STBs to process SD digital broadcasts, including two (dual) MPEG-2 decoders and one H.264 decoder. The dual MPEG-2 decoders enable the processing of two video streams that can be used in digital video recorders (DVR) with twin tuners. It also allows viewing of two programs at the same time with picture-in-picture, and is suited to DVRs with twin tuners.

● Functions necessary for processing SD broadcasts integrated on a single chip

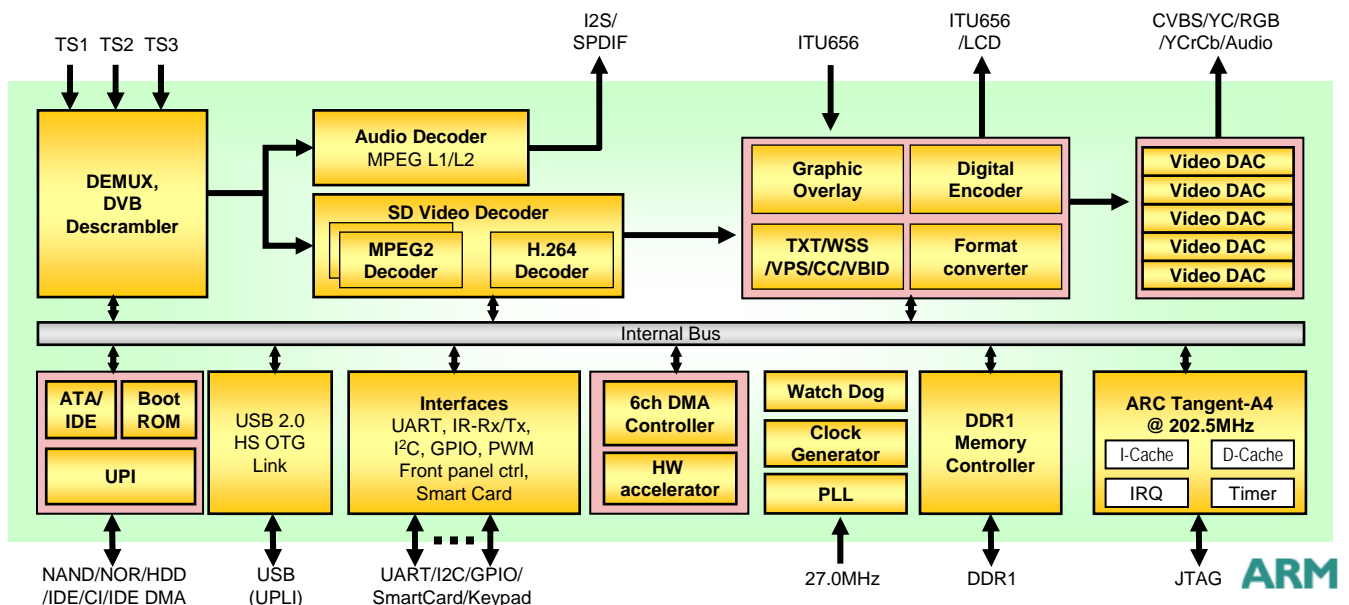
The devices integrate into a single chip a 202.5MHz ARC Tangent-A4 CPU together with the necessary video and audio decode functions, and screen display functionality needed to receive digital broadcast. This enables easy system creation by customers.

● Small form-factor necessary for portable devices

Using proprietary H.264 decoder technology, the power consumption for the H.264 decoder is reduced to a low level. The MB86H01 series offers a 27 x 27mm package (PBGA 256-pin), as well as a small 10 x 10mm package (FBGA 240-pin) suited for use in portable or small form-factor devices. A high speed USB 2.0 OTG controller is also integrated, providing excellent connectivity to external devices, such as digital cameras.

● Succession to existing SmartMPEG series architecture

The new devices have package and pin compatibility with the existing SmartMPEG-C series, as well as maintaining architectural compatibility. This enables existing SmartMPEG users to easily upgrade or develop their systems.



Specifications

CPU core	ARC Tangent-A4 CPU @ 202.5MHz with 4K-I/2K-D cache ARM7TDMI-S™* (67.5MHz): for H.264 video decoder	
Video	Spec	H.264 Main profile / Level 3.0 Decoder, MPEG-2 Video Main profile / Main Level Decoders
	Video Encoder	PAL/NTSC/SECAM, 5ch Video DAC embedded, Teletext/WSS/PDC/CC/VBID
	Interface	Digital RGB output, ITU-R 656 video input/output, YCrCb analog SD output
Audio	Format	MPEG-1/2 Layer I/II
	Channels	2 channels
	Interface	L/R serial, I2S, S/P-DIF
TS Processing	Format	MPEG-2 TS standard
	Channels	3 input streams, Built-in DVB descrambler
	Encryption	3DES encryption/decryption
DDR memory interface	16-bit width DDR-SDRAM135MHz / Supports 128Mbit to 512Mbit SDRAM	
USB	USB 2.0 high Speed OTG Controller (ULPI Interface)	
Input clock frequency	27MHz	
Supply Voltage	1.2V core, 2.5/3.3V I/O	
Operating clock frequency	Internal: 135MHz / DDR memory interface: 135MHz	
Packaging	MB86H01AA: 256-pin PBGA, 27sq.mm (1.27-mm pitch)	
	MB86H01AB: 240-pin FBGA, 10sq.mm (0.5-mm pitch)	

* ARM7TDMI-S is a trademark of ARM Limited.

FUJITSU MICROELECTRONICS LIMITED

Shinjuku Dai-Ichi Seimei Bldg., 7-1, Nishishinjuku 2-chome, Shinjuku-ku,
Tokyo 163-0722, Japan Tel: +81-3-5322-3347 Fax: +81-3-5322-3387
<http://jp.fujitsu.com/fml/en/>

North and South America

FUJITSU MICROELECTRONICS AMERICA, INC.
1250 E. Arques Avenue, M/S 333
Sunnyvale, CA 94085-5401, U.S.A.
Tel: +1-408-737-5600 Fax: +1-408-737-5999
<http://www.fma.fujitsu.com/>

Asia Pacific

FUJITSU MICROELECTRONICS ASIA PTE. LTD.
151 Lorong Chuan, #05-08 New Tech Park
556741 Singapore
Tel: +65-6281-0770 Fax: +65-6281-0220
<http://www.fujitsu.com/sg/services/micro/semiconductor/>

Europe

FUJITSU MICROELECTRONICS EUROPE GmbH
Pittlerstrasse 47, 63225 Langen,
Germany
Tel: +49-6103-690-0 Fax: +49-6103-690-122
<http://emea.fujitsu.com/microelectronics/>

FUJITSU MICROELECTRONICS SHANGHAI CO., LTD.

Rm. 3102, Bund Center, No.222 Yan An Road (E),
Shanghai 200002, China
Tel: +86-21-6146-3688 Fax: +86-21-6335-1605
<http://cn.fujitsu.com/fmc/>

Korea

FUJITSU MICROELECTRONICS KOREA LTD.
206 KOSMO TOWER, 1002 Daechi-Dong,
Gangnam-Gu, Seoul 135-280, Republic of Korea
Tel: +82-2-3484-7100 Fax: +82-2-3484-7111
<http://kr.fujitsu.com/fmk/>

FUJITSU MICROELECTRONICS PACIFIC ASIA LTD.

10/F., World Commerce Centre, 11 Canton Road
Tsimshatsui, Kowloon, Hong Kong
Tel: +852-2377-0226 Fax: +852-2376-3269
<http://cn.fujitsu.com/fmc/en/>

All Rights Reserved.

The contents of this document are subject to change without notice. Customers are advised to consult with sales representatives before ordering.

The information, such as descriptions of function and application circuit examples, in this document are presented solely for the purpose of reference to show examples of operations and uses of FUJITSU MICROELECTRONICS device; FUJITSU MICROELECTRONICS does not warrant proper operation of the device with respect to use based on such information. When you develop equipment incorporating the device based on such information, you must assume any responsibility arising out of such use of the information.

FUJITSU MICROELECTRONICS assumes no liability for any damages whatsoever arising out of the use of the information. Any information in this document, including descriptions of function and schematic diagrams, shall not be construed as license of the use or exercise of any intellectual property right, such as patent right or copyright, or any other right of FUJITSU MICROELECTRONICS or any third party or does FUJITSU MICROELECTRONICS warrant non-infringement of any third-party's intellectual property right or other right by using such information. FUJITSU MICROELECTRONICS assumes no liability for any infringement of the intellectual property rights or other rights of third parties which would result from the use of information contained herein.

The products described in this document are designed, developed and manufactured as contemplated for general use, including without limitation, ordinary industrial use, general office use, personal use, and household use, but are not designed, developed and manufactured as contemplated (1) for use accompanying fatal risks or dangers that, unless extremely high safety is secured, could have a serious effect to the public, and could lead directly to death, personal injury, severe physical damage or other loss (i.e., nuclear reaction control in nuclear facility, aircraft flight control, air traffic control, mass transport control, medical life support system, missile launch control in weapon system), or (2) for use requiring extremely high reliability (i.e., submersible repeater and artificial satellite).

Please note that FUJITSU MICROELECTRONICS will not be liable against you and/or any third party for any claims or damages arising in connection with above-mentioned uses of the products.

Any semiconductor devices have an inherent chance of failure. You must protect against injury, damage or loss from such failures by incorporating safety design measures into your facility and equipment such as redundancy, fire protection, and prevention of over-current levels and other abnormal operating conditions.

Exportation/release of any products described in this document may require necessary procedures in accordance with the regulations of the Foreign Exchange and Foreign Trade Control Law of Japan and/or US export control laws.

The company names and brand names herein are the trademarks or registered trademarks of their respective owners.